

Comment

1-3-18 downloaded, so first day of counters
2-7-19 redwnld w/ AES interconnect, reset all cntrs to zero, yes, counters read, exfanhrs 13h 41m, exfancnt 410, swoncn 3, swtmcnt 0, Wdrcnt 315, CdrCnt 407, Edrcnt 162, reset all zero
12-30-20 RECALLS++added MOV and slowed flash for bckup lts yes done
2-10-22 installed a new FS:04 type network relay and placed on city iP address, online test good, counters read = E dr cnt 4556, C dr cnt 13468, W dr cnt 9475, sw tm on 0, sw on cn 30,ex fan cnt 13304, exfanhrs 802hr 57min, fn on cnt 13304, aesoutcn 0, fncrcnt 13305 redwnld and all counts to zero
2-14-22 redwnld with tweaks, all counts to zero
2-17-22 cosmo chngs only, reminder use 7 1/2 amp fuse on Smart, smaller fuses were blowing
4-1-22 online test failed so redwnlded and counts to zero

Creator:	John Ledbetter	DFD Lineshop	Project:	Sta 2 doors	Customer:	Denver Fire Department
Checked:	4-1-22		Installation:	Sta 2 doors	Diagram No.:	2
Date:	9/12/16 9:56 AM/6/10/22 8:20 AM		File:	Sta 2 drs 4-1-22.lsc	Page:	1 / 22

Module Address

IP Address 10.126.164.85
Subnet Mask: 255.255.255.240
Default gateway 10.126.164.81

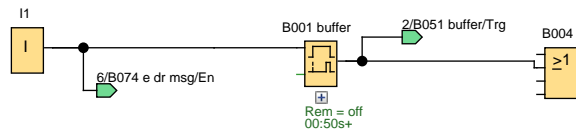
Creator:	John Ledbetter	DFD Lineshop	Project:	Sta 2 doors	Customer:	Denver Fire Department
Checked:	4-1-22		Installation:	Sta 2 doors	Diagram No.:	2
Date:	9/12/16 9:56 AM/6/10/22 8:20 AM		File:	Sta 2 drs 4-1-22.lsc	Page:	2 / 22

Station 2 Doors 4-1-22 used
 Wind LGC 6.3 version 8 type FS:04 verified

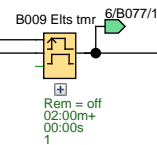
City IP address 10.126.164.85
 subnet 255.255.255.240
 gateway 10.126.164.81

Door section, app. bay lts

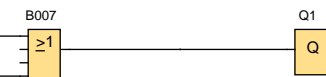
I1-EAST DOOR



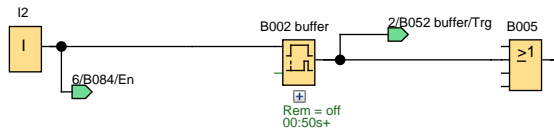
EAST LIGHTS
TIMER



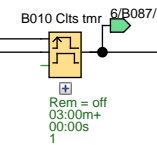
Q1-EAST
APPARATUS
BAY LIGHTS



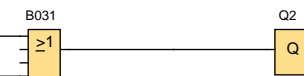
I2-CENTER DOOR



CENTER LIGHTS
TIMER



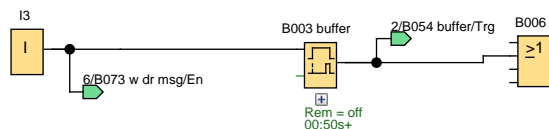
Q2-CENTER APP
BAY LIGHTS



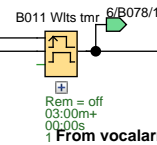
Lot: W104°47'43"+
 Lat: N39°47'28"
 TZ: -7
 Sunrise offset: 20
 Sunset offset: -20



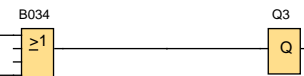
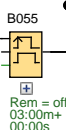
I3-WEST DOOR



WEST LIGHTS
TIMER



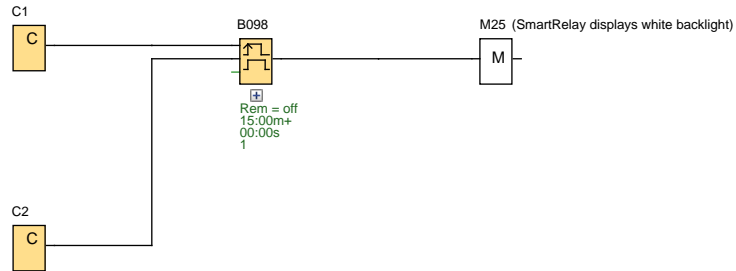
Q3-WEST APP
BAY LIGHTS



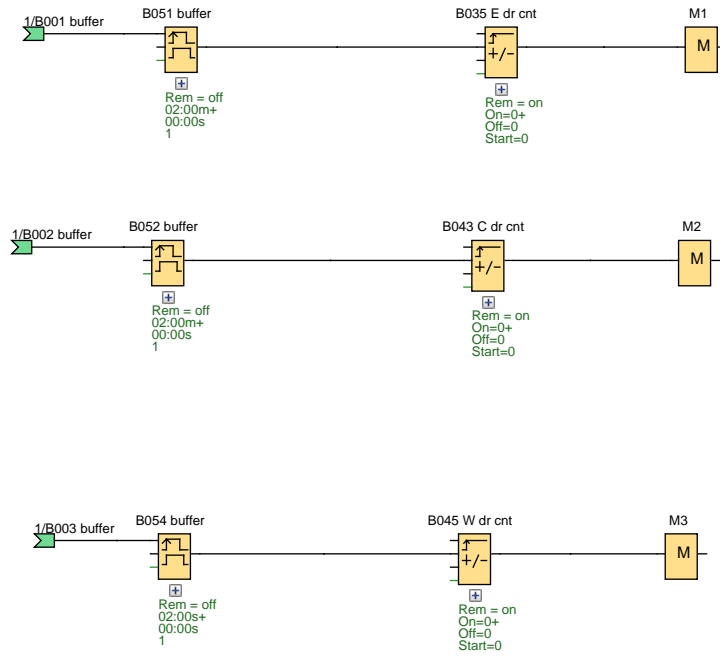
Creator:	John Ledbetter	Project:	Sta 2 doors	Customer:	Denver Fire Department	
Checked:	4-1-22	Installation:	Sta 2 doors	Diagram No.:	2	
Date:	9/12/16 9:56 AM/6/10/22 8:20 AM	DFD Lineshop	File:	Sta 2 drs 4-1-22.lsc	Page:	3 / 22

Station 2 doors

Smart display brightener

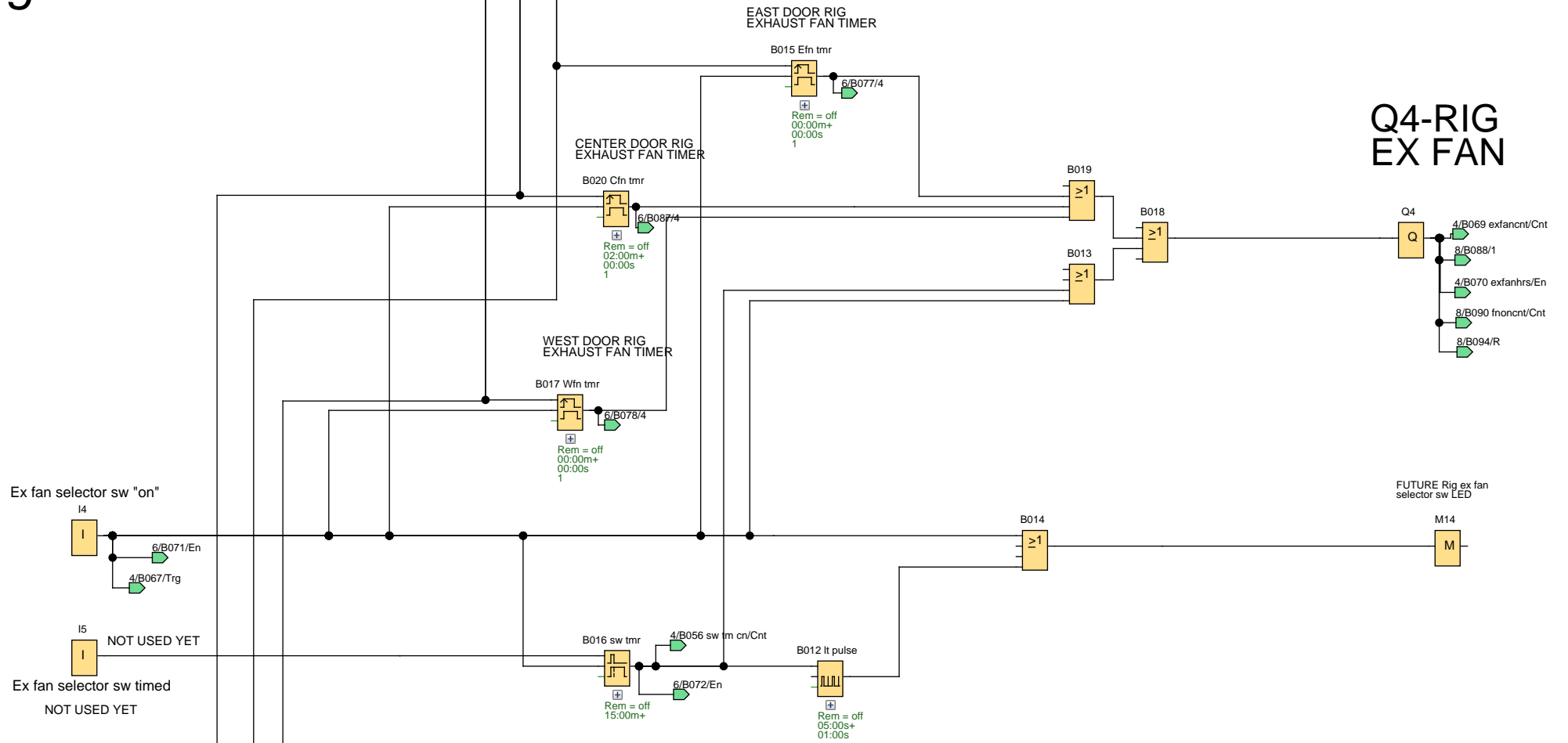


Door Counter section



Creator:	John Ledbetter	DFD Lineshop	Project:	Sta 2 doors	Customer:	Denver Fire Department
Checked:	4-1-22		Installation:	Sta 2 doors	Diagram No.:	2
Date:	9/12/16 9:56 AM/6/10/22 8:20 AM		File:	Sta 2 drs 4-1-22.lsc	Page:	4 / 22

Sta 2 Doors Rig exhaust fan section

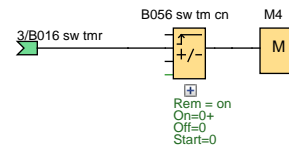


Creator:	John Ledbetter	DFD Lineshop	Project:	Sta 2 doors	Customer:	Denver Fire Department
Checked:	4-1-22		Installation:	Sta 2 doors	Diagram No.:	2
Date:	9/12/16 9:56 AM/6/10/22 8:20 AM		File:	Sta 2 drs 4-1-22.lsc	Page:	5 / 22

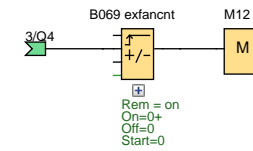
Station 2 doors

Rig fan Counter section

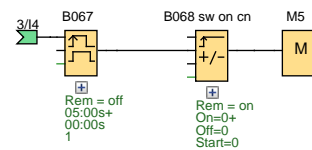
Selector sw
timed counter



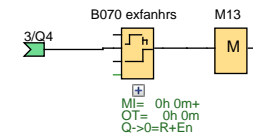
Ex Fan Count



Selector sw
ON counter



Ex Fan Hours

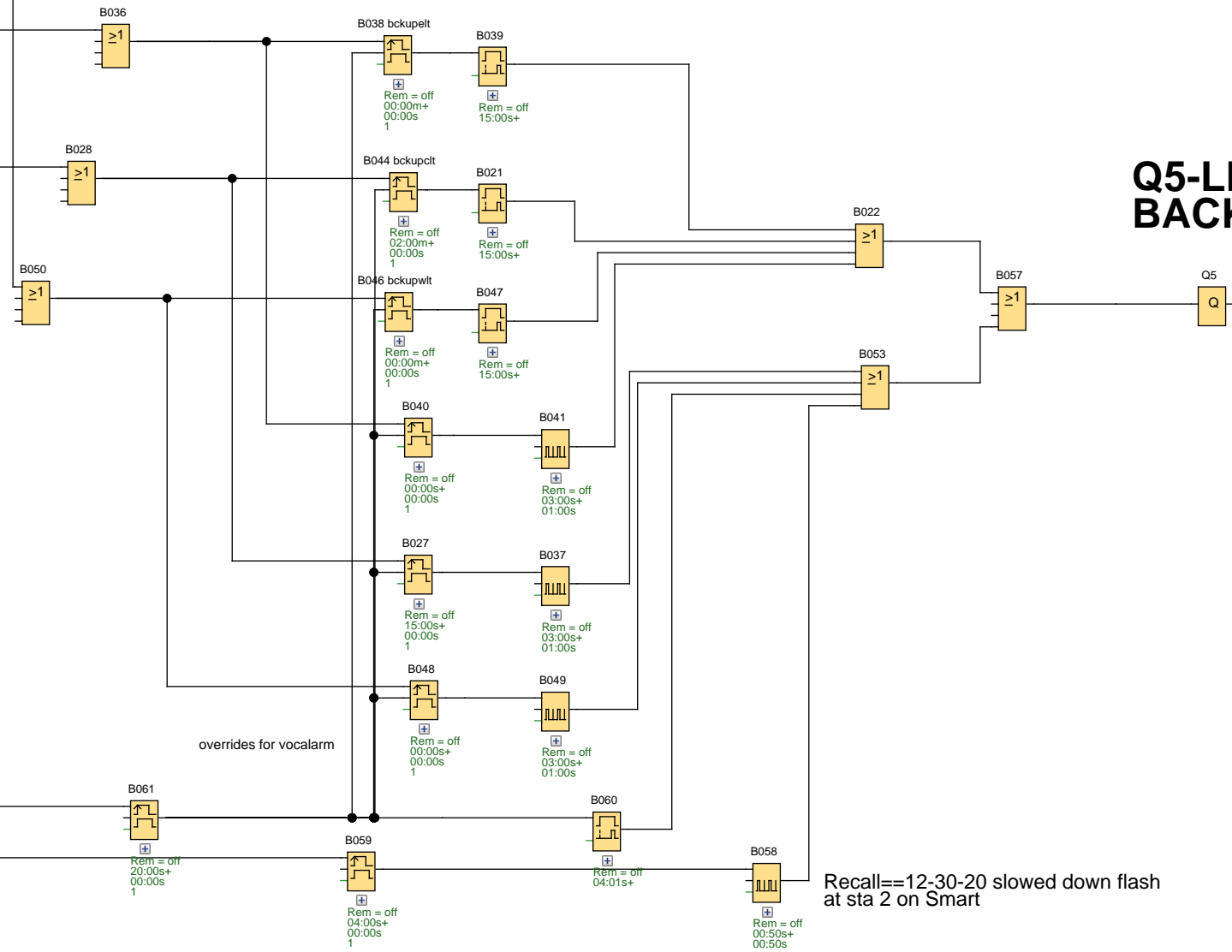


Creator:	John Ledbetter	DFD Lineshop	Project:	Sta 2 doors	Customer:	Denver Fire Department
Checked:	4-1-22		Installation:	Sta 2 doors	Diagram No.:	2
Date:	9/12/16 9:56 AM/6/10/22 8:20 AM		File:	Sta 2 drs 4-1-22.lsc	Page:	6 / 22

Station 2 Doors

Back up LED light section

Q5-LED BACKUPS

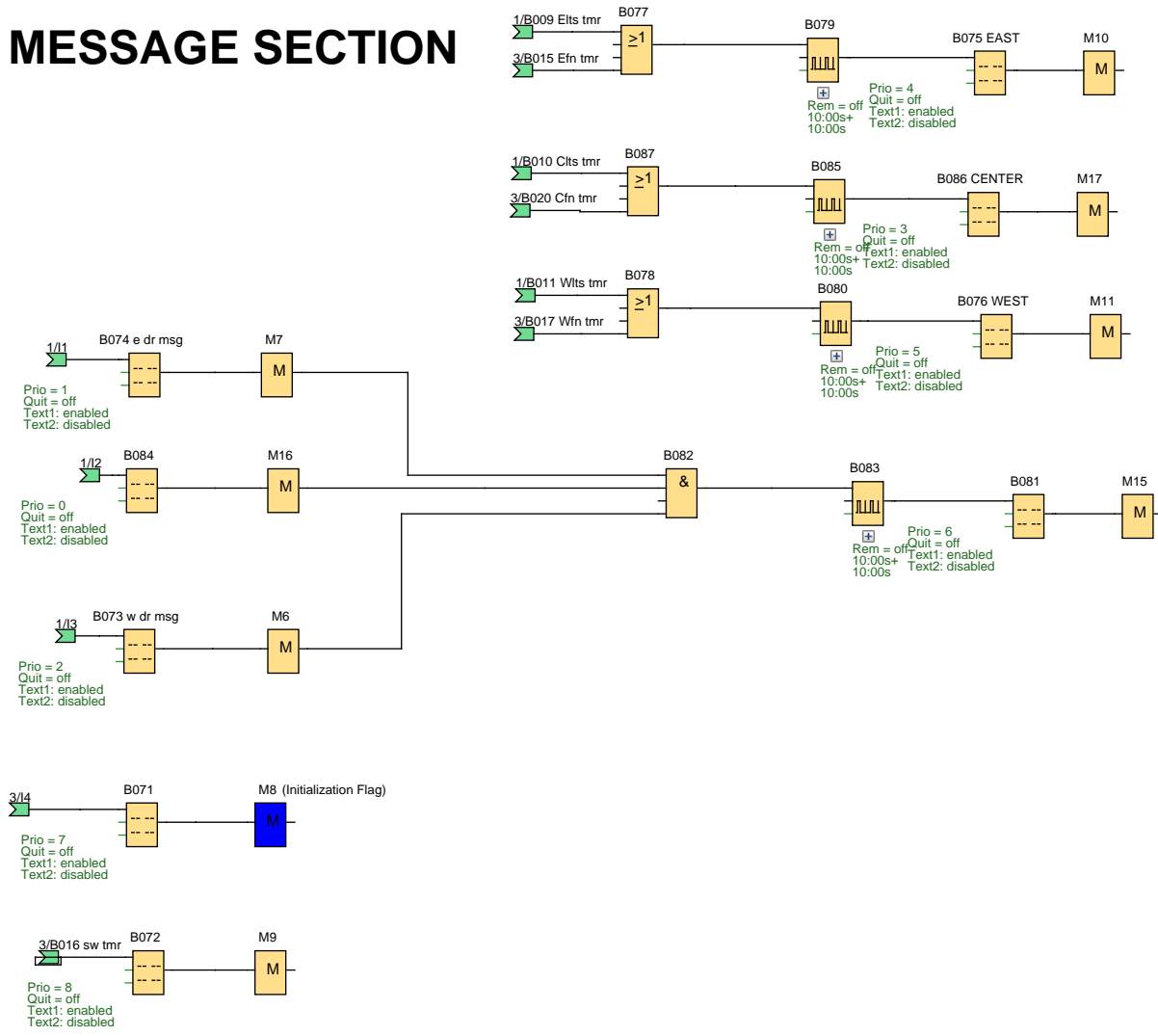


Recall==12-30-20 slowed down flash at sta 2 on Smart

Creator:	John Ledbetter	DFD Lineshop	Project:	Sta 2 doors	Customer:	Denver Fire Department
Checked:	4-1-22		Installation:	Sta 2 doors	Diagram No.:	2
Date:	9/12/16 9:56 AM/6/10/22 8:20 AM		File:	Sta 2 drs 4-1-22.lsc	Page:	7 / 22

Station 2 doors

MESSAGE SECTION



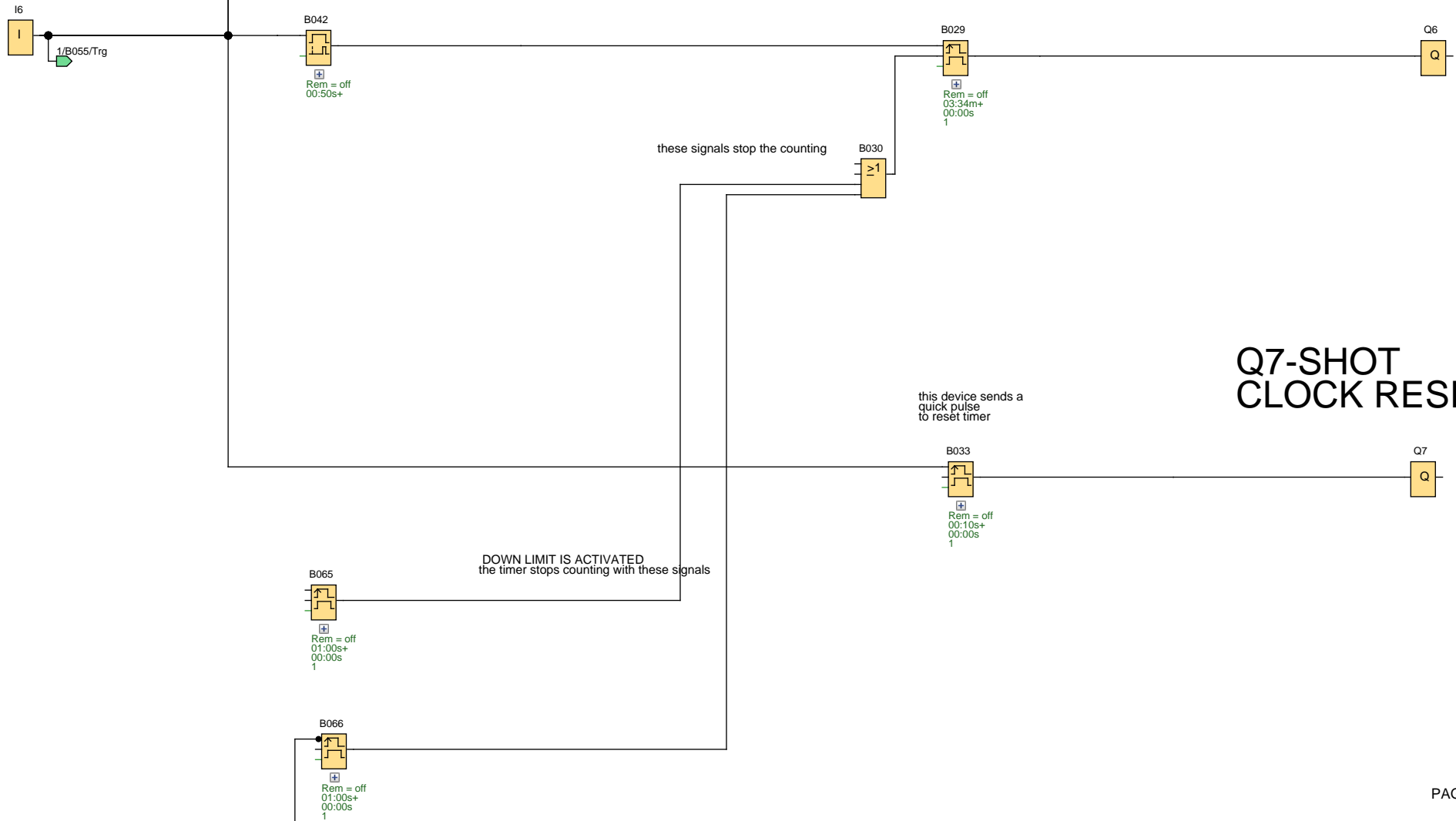
Creator:	John Ledbetter	DFD Lineshop	Project:	Sta 2 doors	Customer:	Denver Fire Department
Checked:	4-1-22		Installation:	Sta 2 doors	Diagram No.:	2
Date:	9/12/16 9:56 AM/6/10/22 8:20 AM		File:	Sta 2 drs 4-1-22.lsc	Page:	8 / 22

Sta 2 shot clock

I6-VOCALARM

Q6-SHOT
CLOCK COUNT

Q7-SHOT
CLOCK RESET

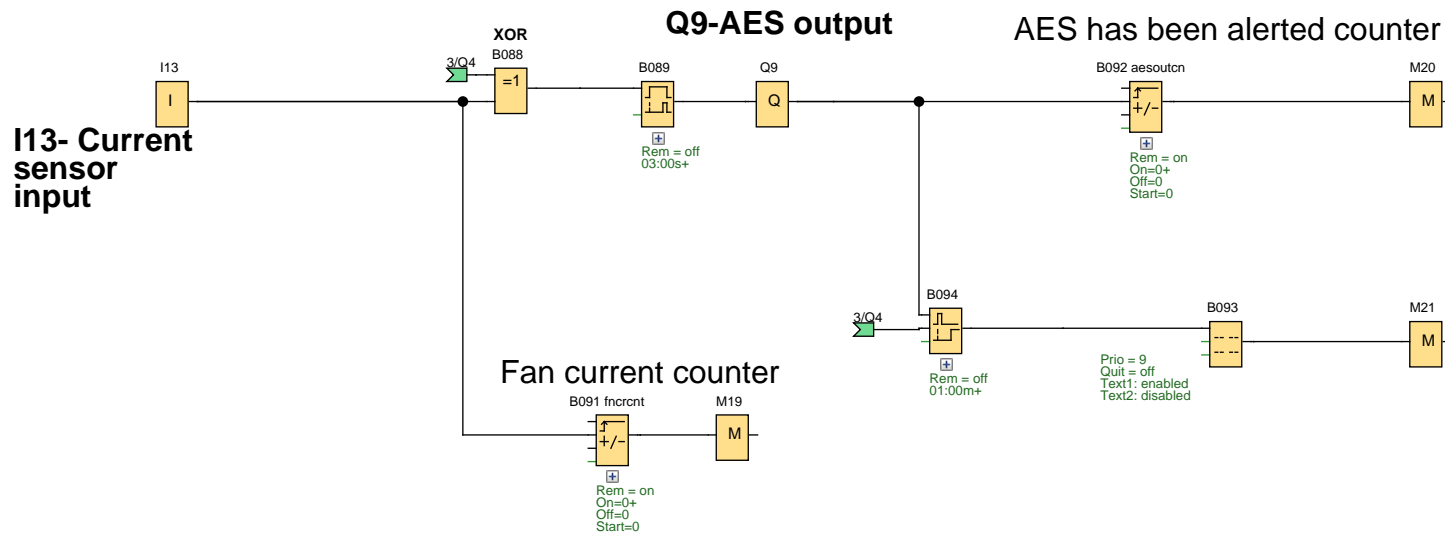
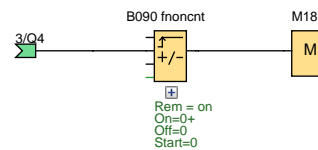


Creator:	John Ledbetter	DFD Lineshop	Project:	Sta 2 doors	Customer:	Denver Fire Department
Checked:	4-1-22		Installation:	Sta 2 doors	Diagram No.:	2
Date:	9/12/16 9:56 AM/6/10/22 8:20 AM		File:	Sta 2 drs 4-1-22.lsc	Page:	9 / 22

Sta 2 drs

AES/RIG FAN SECTION and counters.
 This tells if "calling for" rig fan
 and rig fan current is
 being produced at the same time.

Calling for rig fan counter



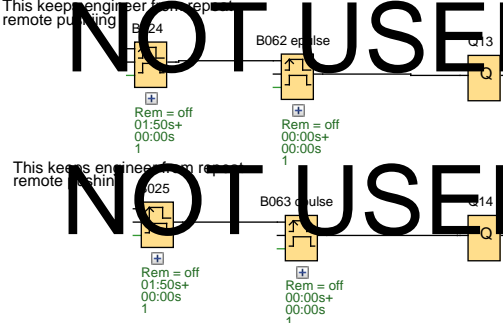
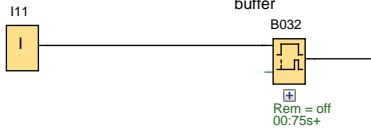
Creator:	John Ledbetter	DFD Lineshop	Project:	Sta 2 doors	Customer:	Denver Fire Department
Checked:	4-1-22		Installation:	Sta 2 doors	Diagram No.:	2
Date:	9/12/16 9:56 AM/6/10/22 8:20 AM		File:	Sta 2 drs 4-1-22.lsc	Page:	10 / 22

Sta 2 Door DOWN section

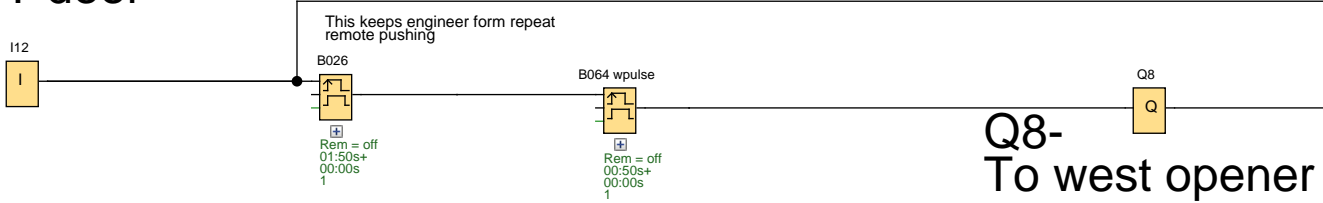
NOT USED yet

NOT USED yet

I11-CENTER door-DOWN LIMIT



I12-WEST door-receiver

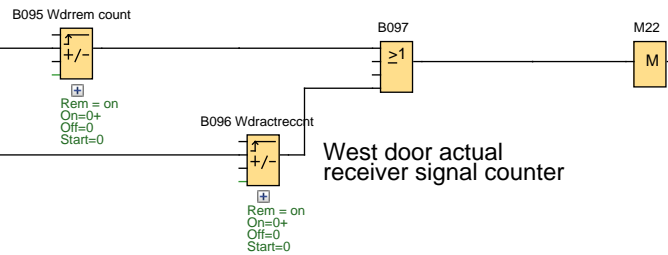


Creator:	John Ledbetter	DFD Lineshop	Project:	Sta 2 doors	Customer:	Denver Fire Department
Checked:	4-1-22		Installation:	Sta 2 doors	Diagram No.:	2
Date:	9/12/16 9:56 AM/6/10/22 8:20 AM		File:	Sta 2 drs 4-1-22.lsc	Page:	11 / 22

Sta 2 drs

Door receiver Counter section

West door remote pushed counter

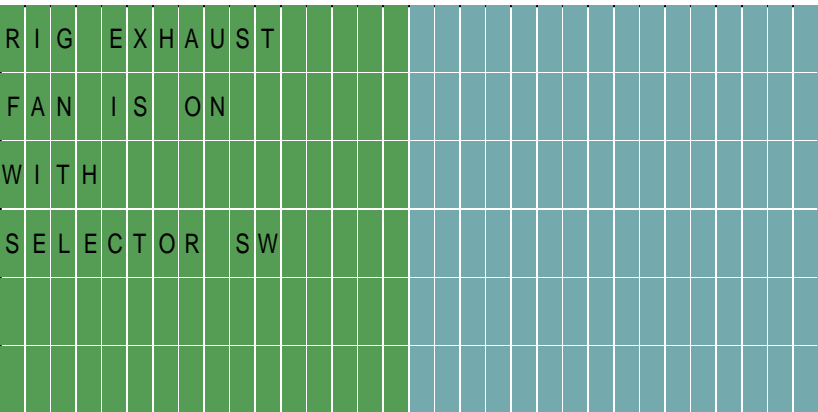


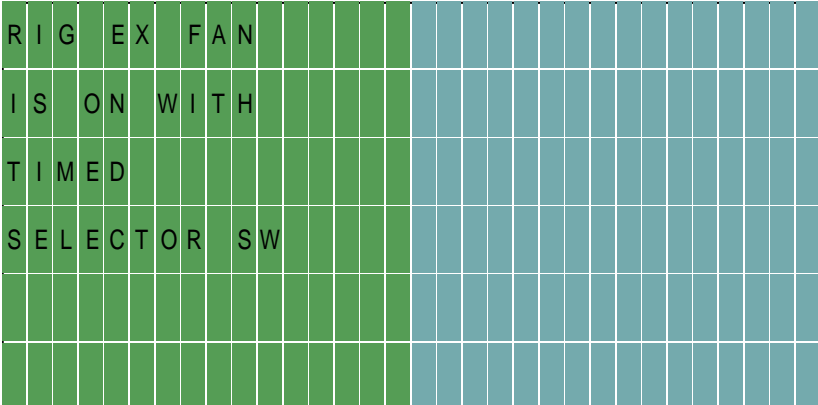
Creator:	John Ledbetter	DFD Lineshop	Project:	Sta 2 doors	Customer:	Denver Fire Department
Checked:	4-1-22		Installation:	Sta 2 doors	Diagram No.:	2
Date:	9/12/16 9:56 AM/6/10/22 8:20 AM		File:	Sta 2 drs 4-1-22.lsc	Page:	12 / 22

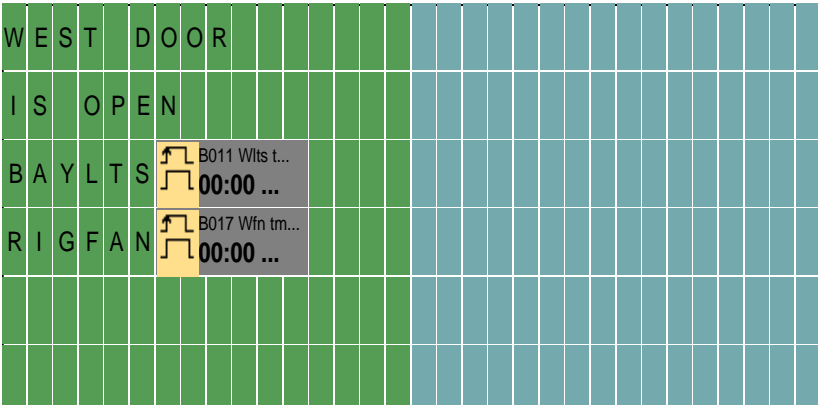
Block Number (Type)	Parameter
B001 buffer(On-delay) :	Rem = off 00:50s+
B002 buffer(On-delay) :	Rem = off 00:50s+
B003 buffer(On-delay) :	Rem = off 00:50s+
B009 Elts tmr(Edge-triggered interval time-delay relay) : EAST LIGHTS TIMER	Rem = off 02:00m+ 00:00s 1
B010 Clts tmr(Edge-triggered interval time-delay relay) : CENTER LIGHTS TIMER	Rem = off 03:00m+ 00:00s 1
B011 Wlts tmr(Edge-triggered interval time-delay relay) : WEST LIGHTS TIMER	Rem = off 03:00m+ 00:00s 1
B012 It pulse(Asynchronous pulse generator) :	Rem = off 05:00s+ 01:00s
B015 Efn tmr(Edge-triggered interval time-delay relay) : EAST DOOR RIG EXHAUST FAN TIMER	Rem = off 00:00m+ 00:00s 1
B016 sw tmr (Off-delay) :	Rem = off 15:00m+
B017 Wfn tmr(Edge-triggered interval time-delay relay) : WEST DOOR RIG EXHAUST FAN TIMER	Rem = off 00:00m+ 00:00s 1
B020 Cfn tmr(Edge-triggered interval time-delay relay) : CENTER DOOR RIG EXHAUST FAN TIMER	Rem = off 02:00m+ 00:00s 1
B021(On-delay) :	Rem = off 15:00s+
B024(Edge-triggered interval time-delay relay) : This keeps engineer from repeat remote pushing	Rem = off 01:50s+ 00:00s 1
B025(Edge-triggered interval time-delay relay) : This keeps engineer from repeat remote pushing	Rem = off 01:50s+ 00:00s 1
B026(Edge-triggered interval time-delay relay) : This keeps engineer form repeat remote pushing	Rem = off 01:50s+ 00:00s 1
B027(Edge-triggered interval time-delay relay) :	Rem = off 15:00s+ 00:00s 1
B029(Edge-triggered interval time-delay relay) : this device starts timer counting from zero with vocalarm	Rem = off 03:34m+ 00:00s 1
B032(On-delay) : buffer	Rem = off 00:75s+
B033(Edge-triggered interval time-delay relay) : this device sends a quick pulse to reset timer	Rem = off 00:10s+ 00:00s 1
B035 E dr cnt(Up/Down counter) :	Rem = on On=0+ Off=0 Start=0

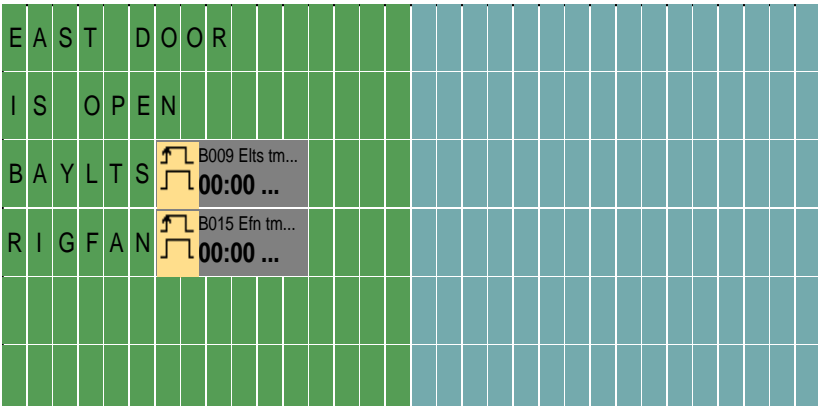
Creator:	John Ledbetter	DFD Lineshop	Project:	Sta 2 doors	Customer:	Denver Fire Department
Checked:	4-1-22		Installation:	Sta 2 doors	Diagram No.:	2
Date:	9/12/16 9:56 AM/6/10/22 8:20 AM		File:	Sta 2 drs 4-1-22.lsc	Page:	13 / 22

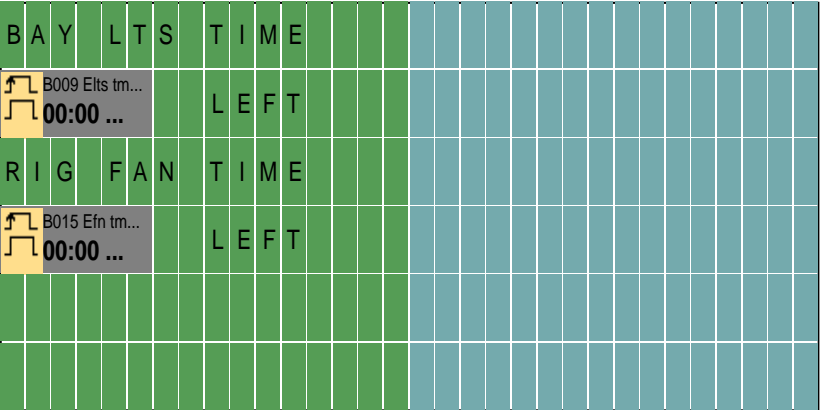
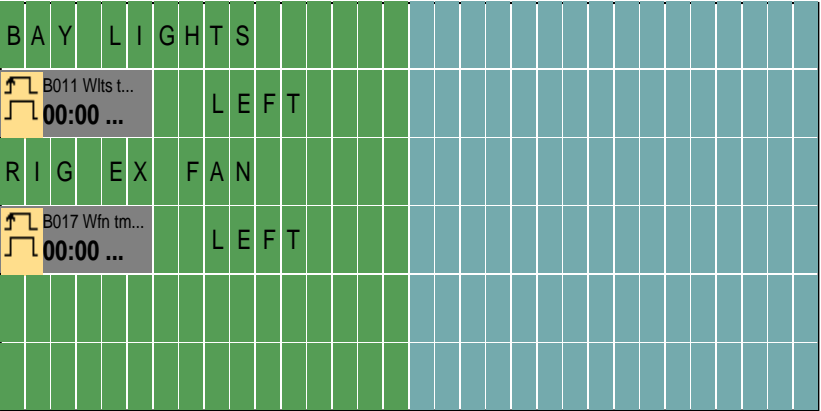
Block Number (Type)	Parameter
B037(Asynchronous pulse generator) :	Rem = off 03:00s+ 01:00s
B038 bckupelt(Edge-triggered interval time-delay relay) :	Rem = off 00:00m+ 00:00s 1
B039(On-delay) :	Rem = off 15:00s+
B040(Edge-triggered interval time-delay relay) :	Rem = off 00:00s+ 00:00s 1
B041(Asynchronous pulse generator) :	Rem = off 03:00s+ 01:00s
B042(On-delay) :	Rem = off 00:50s+
B043 C dr cnt(Up/Down counter) :	Rem = on On=0+ Off=0 Start=0
B044 bckupclt(Edge-triggered interval time-delay relay) :	Rem = off 02:00m+ 00:00s 1
B045 W dr cnt(Up/Down counter) :	Rem = on On=0+ Off=0 Start=0
B046 bckupwlt(Edge-triggered interval time-delay relay) :	Rem = off 00:00m+ 00:00s 1
B047(On-delay) :	Rem = off 15:00s+
B048(Edge-triggered interval time-delay relay) :	Rem = off 00:00s+ 00:00s 1
B049(Asynchronous pulse generator) :	Rem = off 03:00s+ 01:00s
B051 buffer(Edge-triggered interval time-delay relay) :	Rem = off 02:00m+ 00:00s 1
B052 buffer(Edge-triggered interval time-delay relay) :	Rem = off 02:00m+ 00:00s 1
B054 buffer(Edge-triggered interval time-delay relay) :	Rem = off 02:00s+ 00:00s 1
B055(Edge-triggered interval time-delay relay) :	Rem = off 03:00m+ 00:00s 1
B056 sw tm cn(Up/Down counter) : Selector sw timed counter	Rem = on On=0+ Off=0 Start=0
B058(Asynchronous pulse generator) :	Rem = off 00:50s+ 00:50s

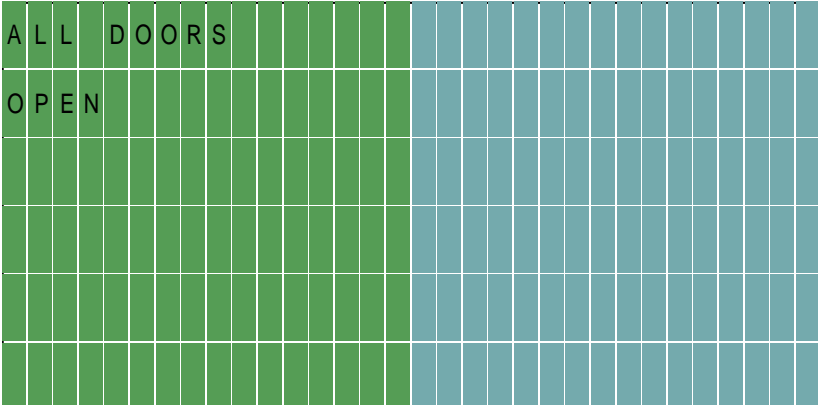
Block Number (Type)	Parameter		
B059(Edge-triggered interval time-delay relay) :	Rem = off 04:00s+ 00:00s 1		
B060(On-delay) :	Rem = off 04:01s+		
B061(Edge-triggered interval time-delay relay) :	Rem = off 20:00s+ 00:00s 1		
B062 epulse(Edge-triggered interval time-delay relay) :	Rem = off 00:00s+ 00:00s 1		
B063 cpulse(Edge-triggered interval time-delay relay) :	Rem = off 00:00s+ 00:00s 1		
B064 wpulse(Edge-triggered interval time-delay relay) :	Rem = off 00:50s+ 00:00s 1		
B065(Edge-triggered interval time-delay relay) :	Rem = off 01:00s+ 00:00s 1		
B066(Edge-triggered interval time-delay relay) :	Rem = off 01:00s+ 00:00s 1		
B067(Edge-triggered interval time-delay relay) :	Rem = off 05:00s+ 00:00s 1		
B068 sw on cn(Up/Down counter) : Selector sw ON counter	Rem = on On=0+ Off=0 Start=0		
B069 exfancnt(Up/Down counter) : Ex Fan Count	Rem = on On=0+ Off=0 Start=0		
B070 exfanhrs(Operating hours counter) : Ex Fan Hours	Ml= 0h 0m+ O1= 0h 0m Q->0=R+En		
B071(Message texts) : 	Prio = 7 Quit = off Text1: enabled Text2: disabled Ticker setting - CBC - Line1: N - Line2: N - Line3: N - Line4: N - Line5: N - Line6: N Message Destination - Both		
Creator: John Ledbetter Checked: 4-1-22 Date: 9/12/16 9:56 AM/6/10/22 8:20 AM	DFD Lineshop	Project: Sta 2 doors Installation: Sta 2 doors File: Sta 2 drs 4-1-22.lsc	Customer: Denver Fire Department Diagram No.: 2 Page: 15 / 22

Block Number (Type)	Parameter
<p>B072(Message texts) :</p> 	<p>Prio = 8 Quit = off Text1: enabled Text2: disabled</p> <p>Ticker setting - CBC - Line1: N - Line2: Z - Line3: Z - Line4: Z - Line5: Z - Line6: Z</p> <p>Message Destination - Both</p>

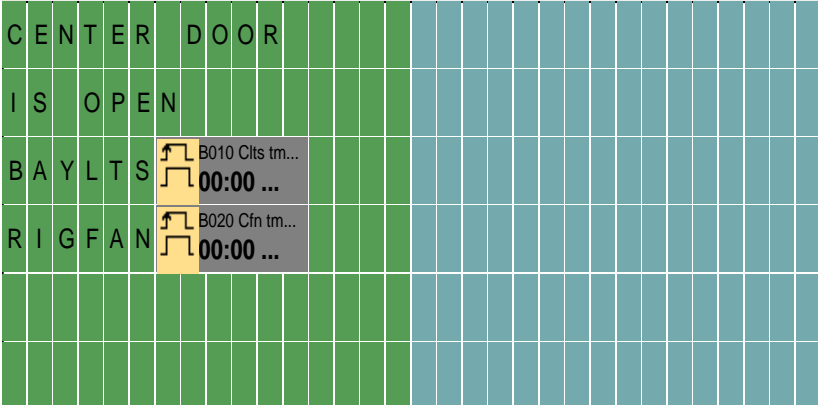
<p>B073 w dr msg(Message texts) :</p>  <p>Line3.7 B011 Wlts tmr-THRest Line4.7 B017 Wfn tmr-THRest</p>	<p>Prio = 2 Quit = off Text1: enabled Text2: disabled</p> <p>Ticker setting - CBC - Line1: N - Line2: Z - Line3: Z - Line4: Z - Line5: Z - Line6: Z</p> <p>Message Destination - Both</p>
---	--

<p>B074 e dr msg(Message texts) :</p>  <p>Line3.7 B009 Elts tmr-THRest Line4.7 B015 Efn tmr-THRest</p>	<p>Prio = 1 Quit = off Text1: enabled Text2: disabled</p> <p>Ticker setting - CBC - Line1: N - Line2: Z - Line3: Z - Line4: Z - Line5: Z - Line6: Z</p> <p>Message Destination - Both</p>
--	--

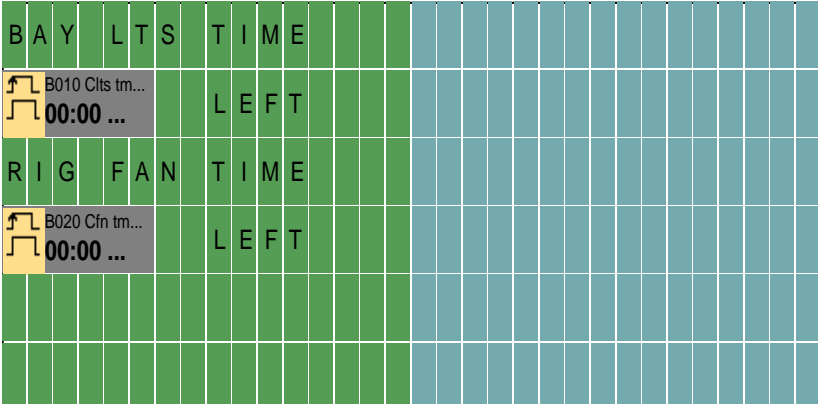
Block Number (Type)	Parameter
<p>B075 EAST(Message texts) :</p>  <p>Line2.1 B009 Elts tmr-THRest Line4.1 B015 Efn tmr-THRest</p>	<p>Prio = 4 Quit = off Text1: enabled Text2: disabled</p> <p>Ticker setting - CBC - Line1: N - Line2: N - Line3: N - Line4: N - Line5: N - Line6: N</p> <p>Message Destination - Both</p>
<p>B076 WEST(Message texts) :</p>  <p>Line2.1 B011 Wlts tmr-THRest Line4.1 B017 Wfn tmr-THRest</p>	<p>Prio = 5 Quit = off Text1: enabled Text2: disabled</p> <p>Ticker setting - CBC - Line1: N - Line2: N - Line3: N - Line4: N - Line5: N - Line6: N</p> <p>Message Destination - Both</p>
<p>B079(Asynchronous pulse generator) :</p>	<p>Rem = off 10:00s+ 10:00s</p>
<p>B080(Asynchronous pulse generator) :</p>	<p>Rem = off 10:00s+ 10:00s</p>

Block Number (Type)	Parameter
<p>B081(Message texts) :</p> 	<p>Prio = 6 Quit = off Text1: enabled Text2: disabled</p> <p>Ticker setting - CBC - Line1: N - Line2: N - Line3: N - Line4: N - Line5: N - Line6: N Message Destination - Both</p>

B083(Asynchronous pulse generator) :	Rem = off 10:00s+ 10:00s
--------------------------------------	--------------------------------

<p>B084(Message texts) :</p>  <p>Line3.7 B010 Clts tmr-THRest Line4.7 B020 Cfn tmr-THRest</p>	<p>Prio = 0 Quit = off Text1: enabled Text2: disabled</p> <p>Ticker setting - CBC - Line1: N - Line2: N - Line3: N - Line4: N - Line5: N - Line6: N Message Destination - Both</p>
--	--

B085(Asynchronous pulse generator) :	Rem = off 10:00s+ 10:00s
--------------------------------------	--------------------------------

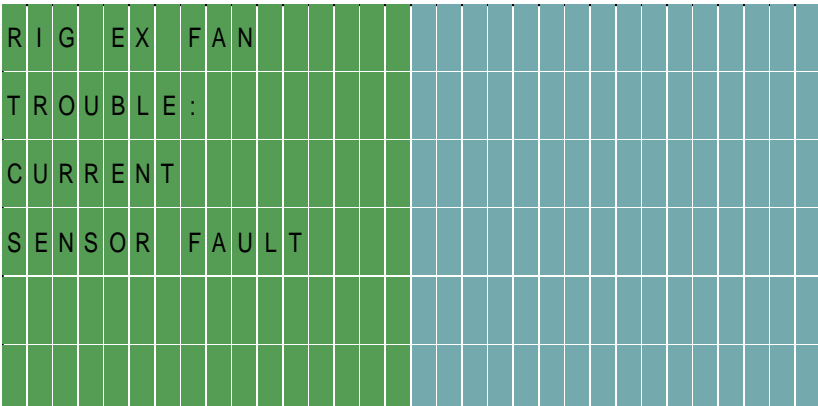
Block Number (Type)	Parameter
<p>B086 CENTER(Message texts) :</p>  <p>Line2.1 B010 Clts tmr-THRest Line4.1 B020 Cfn tmr-THRest</p>	<p>Prio = 3 Quit = off Text1: enabled Text2: disabled</p> <p>Ticker setting - CBC - Line1: N - Line2: N - Line3: N - Line4: N - Line5: N - Line6: N</p> <p>Message Destination - Both</p>

B089(On-delay) :	Rem = off 03:00s+
------------------	----------------------

B090 fncrcnt(Up/Down counter) : Calling for rig fan counter	Rem = on On=0+ Off=0 Start=0
--	---------------------------------------

B091 fncrcnt(Up/Down counter) : Fan current counter	Rem = on On=0+ Off=0 Start=0
--	---------------------------------------

B092 aesoutcn(Up/Down counter) : AES has been alerted counter	Rem = on On=0+ Off=0 Start=0
--	---------------------------------------

<p>B093(Message texts) :</p> 	<p>Prio = 9 Quit = off Text1: enabled Text2: disabled</p> <p>Ticker setting - CBC - Line1: N - Line2: N - Line3: N - Line4: N - Line5: N - Line6: N</p> <p>Message Destination - Both</p>
--	---

B094(Retentive on-delay) :	Rem = off 01:00m+
----------------------------	----------------------

B095 Wdrrem count(Up/Down counter) : West door remote pushed counter	Rem = on On=0+ Off=0 Start=0
---	---------------------------------------

B096 Wdractrecnt(Up/Down counter) : West door actual receiver signal counter	Rem = on On=0+ Off=0 Start=0
---	---------------------------------------

Block Number (Type)	Parameter
B098(Edge-triggered interval time-delay relay) :	Rem = off 15:00m+ 00:00s 1
B099 Sta 2(Astronomical clock) :	Lot: W104°47'43"+ Lat: N39°47'28" TZ: -7 Sunrise offset: 20 Sunset offset: -20
I1(Input) : I1-EAST DOOR	
I2(Input) : I2-CENTER DOOR	
I3(Input) : I3-WEST DOOR	
I4(Input) : Ex fan selector sw "on"	
I5(Input) : Ex fan selector sw timed	
I6(Input) : I6-VOCALARM	
I11(Input) : I11-CENTER door- DOWN LIMIT	
I12(Input) : I12-WEST door- receiver	
I13(Input) : I13- Current sensor input	
Q1(Output) : Q1-EAST APPARATUS BAY LIGHTS	
Q2(Output) : Q2-CENTER APP BAY LIGHTS	
Q3(Output) : Q3-WEST APP BAY LIGHTS	
Q6(Output) : Q6-SHOT CLOCK COUNT	
Q7(Output) : Q7-SHOT CLOCK RESET	
Q8(Output) : Q8- To west opener	
Q9(Output) : Q9-AES output	

Creator:	John Ledbetter	DFD Lineshop	Project:	Sta 2 doors	Customer:	Denver Fire Department
Checked:	4-1-22		Installation:	Sta 2 doors	Diagram No.:	2
Date:	9/12/16 9:56 AM/6/10/22 8:20 AM		File:	Sta 2 drs 4-1-22.lsc	Page:	20 / 22

Connection	Label
C1	
C2	
I1	
I2	
I3	
I4	
I5	
I6	
I11	
I12	
I13	
M1	
M2	
M3	
M4	
M5	
M6	
M7	
M8	Initialization Flag
M9	
M10	
M11	
M12	
M13	
M14	
M15	
M16	
M17	
M18	

Connection	Label
M19	
M20	
M21	
M22	
M25	SmartRelay displays white backlight
Q1	
Q2	
Q3	
Q4	
Q5	
Q6	
Q7	
Q8	
Q9	
Q13	
Q14	

