

Comment

8-7-18 cosmetic changes only, flashy with counters msgs, etc
1-30-19 tweak prgrm, added AES current monitor for rig ex fan
1-31-19 dwnlded, w/ cntrs first time ever
5-4-22 counts read Dr count 24501, exfancnt 25548, exfanhrs 619h 17m, fansw on 10023, fn tmrsw 57, mstrtcnt 90, mstpcnt 25, jingcnt 1450, fnoncnt 25548, fncrntcn 25310, aescnt 35, city IP installed, MOV present, . type FS-05 verified, flash slowed down, online tests good, all counts to zero

Creator:	John Ledbetter	Denver Fire Lineshop	Project:	Sta 3 drs,va,ms	Customer:	Denver Fire Department
Checked:	5-4-22		Installation:		Diagram No.:	2
Date:	2/18/16 7:10 AM/6/10/22 8:24 AM		File:	Sta 3 drs, va, ms 5-4-22.lsc	Page:	1 / 19

Module Address

IP Address 10.126.163.101
Subnet Mask: 255.255.255.240
Default gateway 10.126.163.97

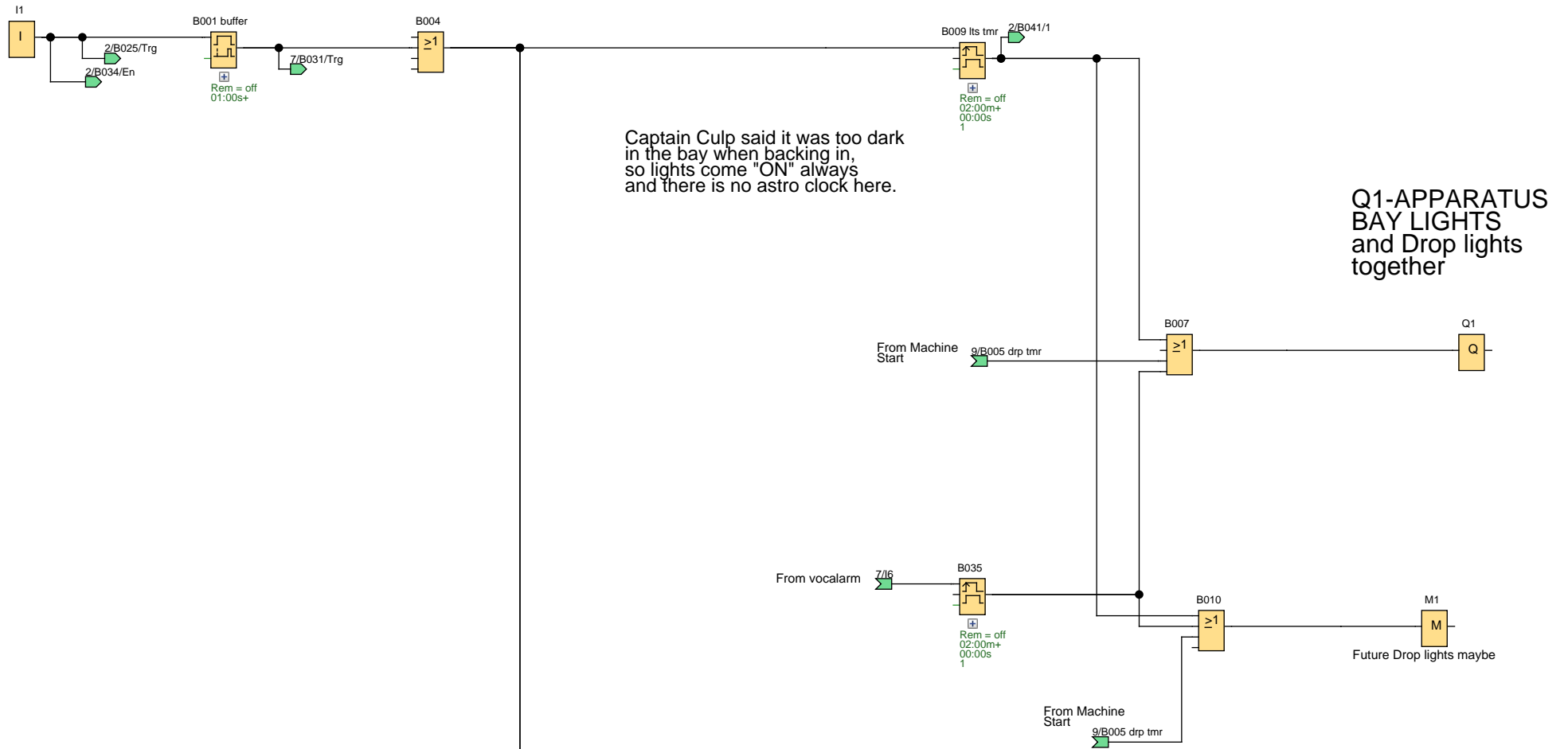
Creator:	John Ledbetter	Denver Fire Lineshop	Project:	Sta 3 drs,va,ms	Customer:	Denver Fire Department
Checked:	5-4-22		Installation:		Diagram No.:	2
Date:	2/18/16 7:10 AM/6/10/22 8:24 AM		File:	Sta 3 drs, va, ms 5-4-22.lsc	Page:	2 / 19

Station 3 Doors, VA, MS 5-4-22 type FS-05 verified

App. bay / drop lights section

City IP address 10.126.163.101
 255.255.255.240
 10.126.163.97

I1-BATWING DOOR Limit switch



Captain Culp said it was too dark in the bay when backing in, so lights come "ON" always and there is no astro clock here.

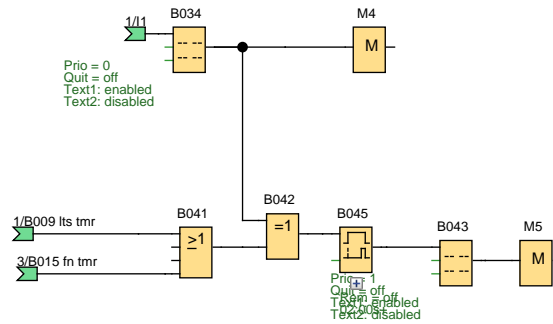
Q1-APPARATUS
 BAY LIGHTS
 and Drop lights
 together

Future Drop lights maybe

Creator:	John Ledbetter	Denver Fire Lineshop	Project:	Sta 3 drs.va.ms	Customer:	Denver Fire Department
Checked:	5-4-22		Installation:		Diagram No.:	2
Date:	2/18/16 7:10 AM/6/10/22 8:24 AM		File:	Sta 3 drs, va, ms 5-4-22.lsc	Page:	3 / 19

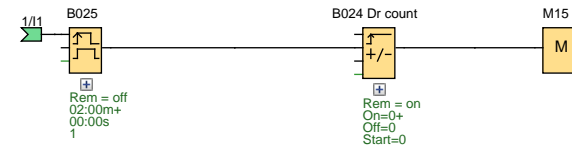
Sta 3

Message sections



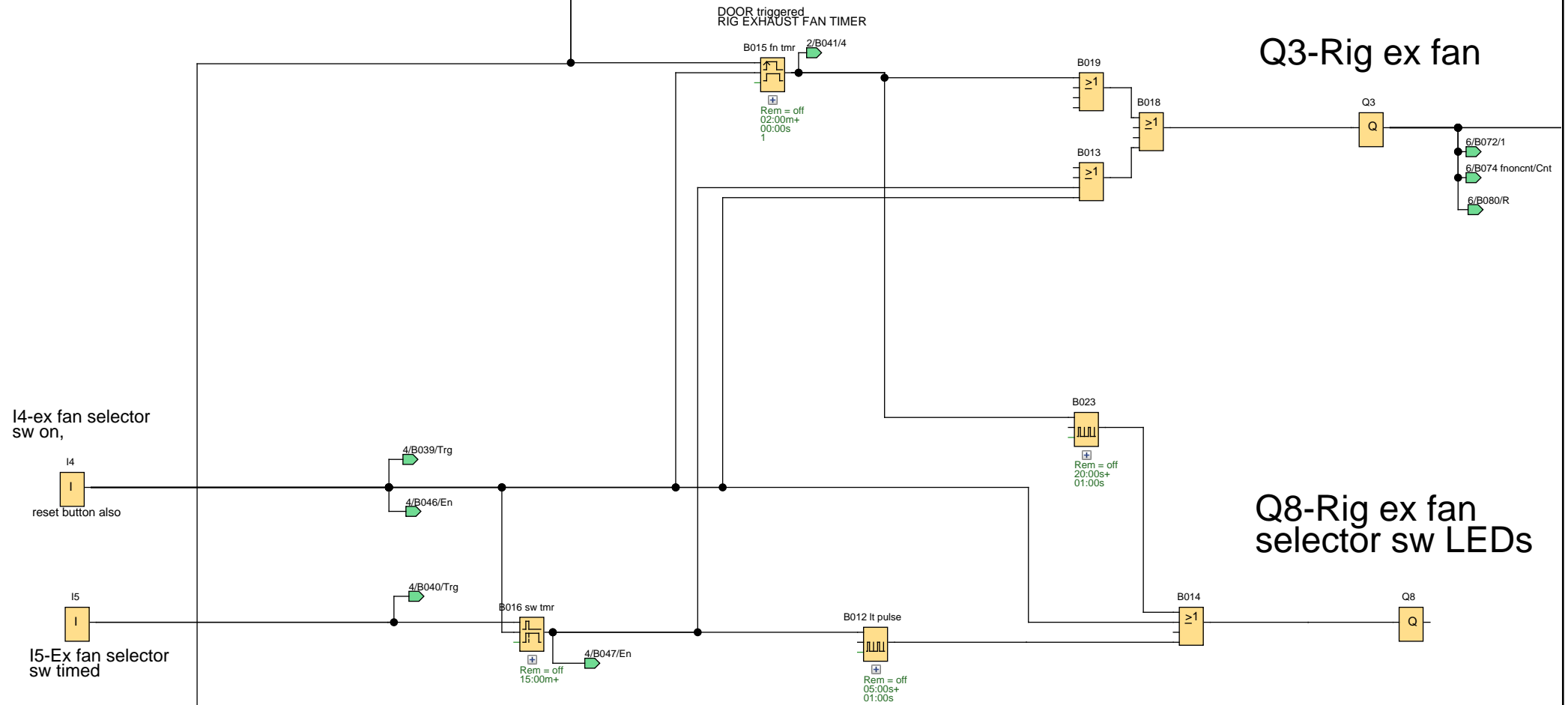
Counting sections

BATWING DOOR OPEN COUNT



Creator:	John Ledbetter	Denver Fire Lineshop	Project:	Sta 3 drs.va.ms	Customer:	Denver Fire Department
Checked:	5-4-22		Installation:		Diagram No.:	2
Date:	2/18/16 7:10 AM/6/10/22 8:24 AM		File:	Sta 3 drs, va, ms 5-4-22.lsc	Page:	4 / 19

Sta 3 Rig exhaust fan section

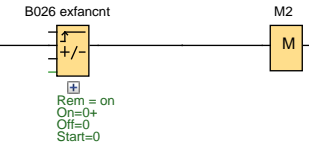


Creator:	John Ledbetter	Denver Fire Lineshop	Project:	Sta 3 drs.va.ms	Customer:	Denver Fire Department
Checked:	5-4-22		Installation:		Diagram No.:	2
Date:	2/18/16 7:10 AM/6/10/22 8:24 AM		File:	Sta 3 drs, va, ms 5-4-22.lsc	Page:	5 / 19

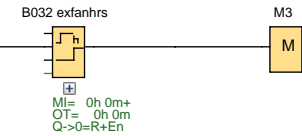
Sta 3

Counting sections

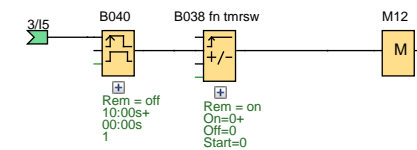
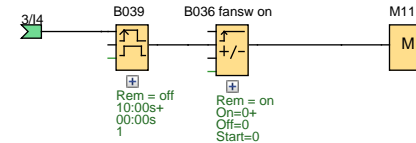
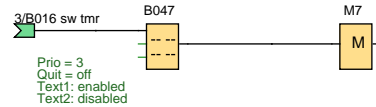
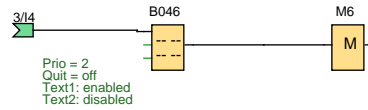
Rig fan turn "ON" count



Rig fan hours



Message sections

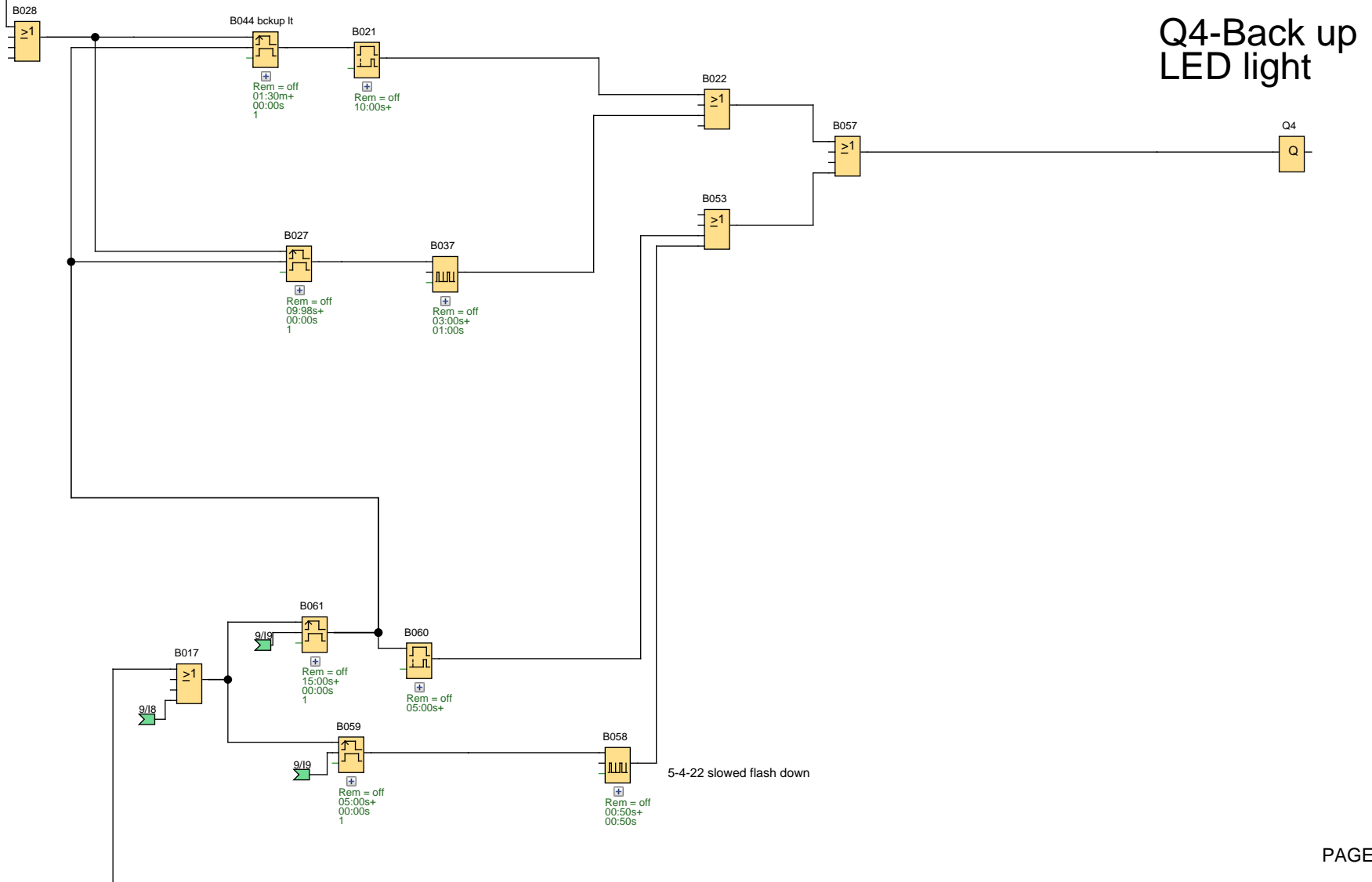


Creator:	John Ledbetter	Denver Fire Lineshop	Project:	Sta 3 drs.va.ms	Customer:	Denver Fire Department
Checked:	5-4-22		Installation:		Diagram No.:	2
Date:	2/18/16 7:10 AM/6/10/22 8:24 AM		File:	Sta 3 drs, va, ms 5-4-22.lsc	Page:	6 / 19

Station 3 Doors

Back up LED light section

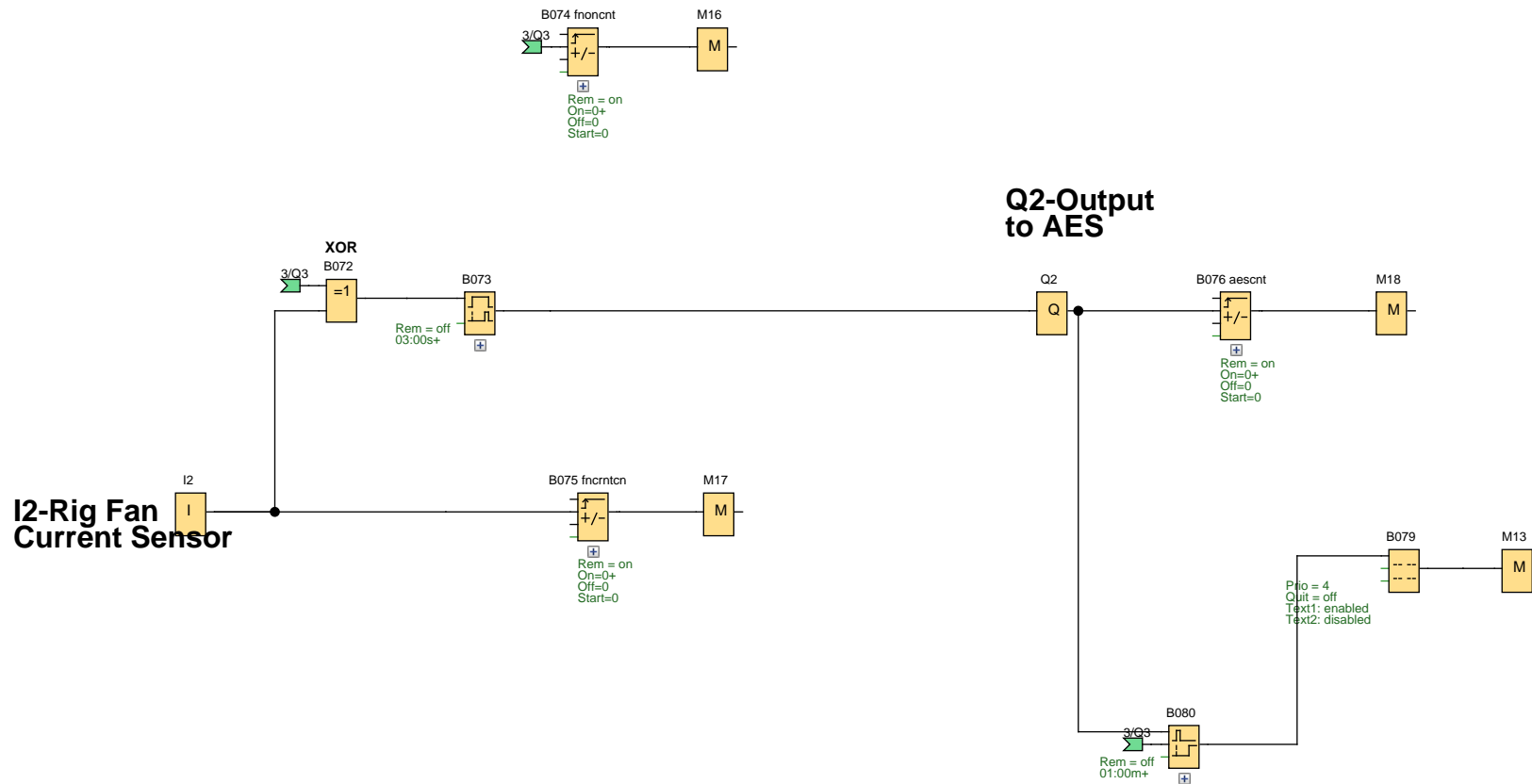
Sta 3 has one backup LED



Creator:	John Ledbetter	Project:	Sta 3 drs.va.ms	Customer:	Denver Fire Department
Checked:	5-4-22	Installation:		Diagram No.:	2
Date:	2/18/16 7:10 AM/6/10/22 8:24 AM	File:	Sta 3 drs, va, ms 5-4-22.lsc	Page:	7 / 19
Denver Fire Lineshop					

Sta 3

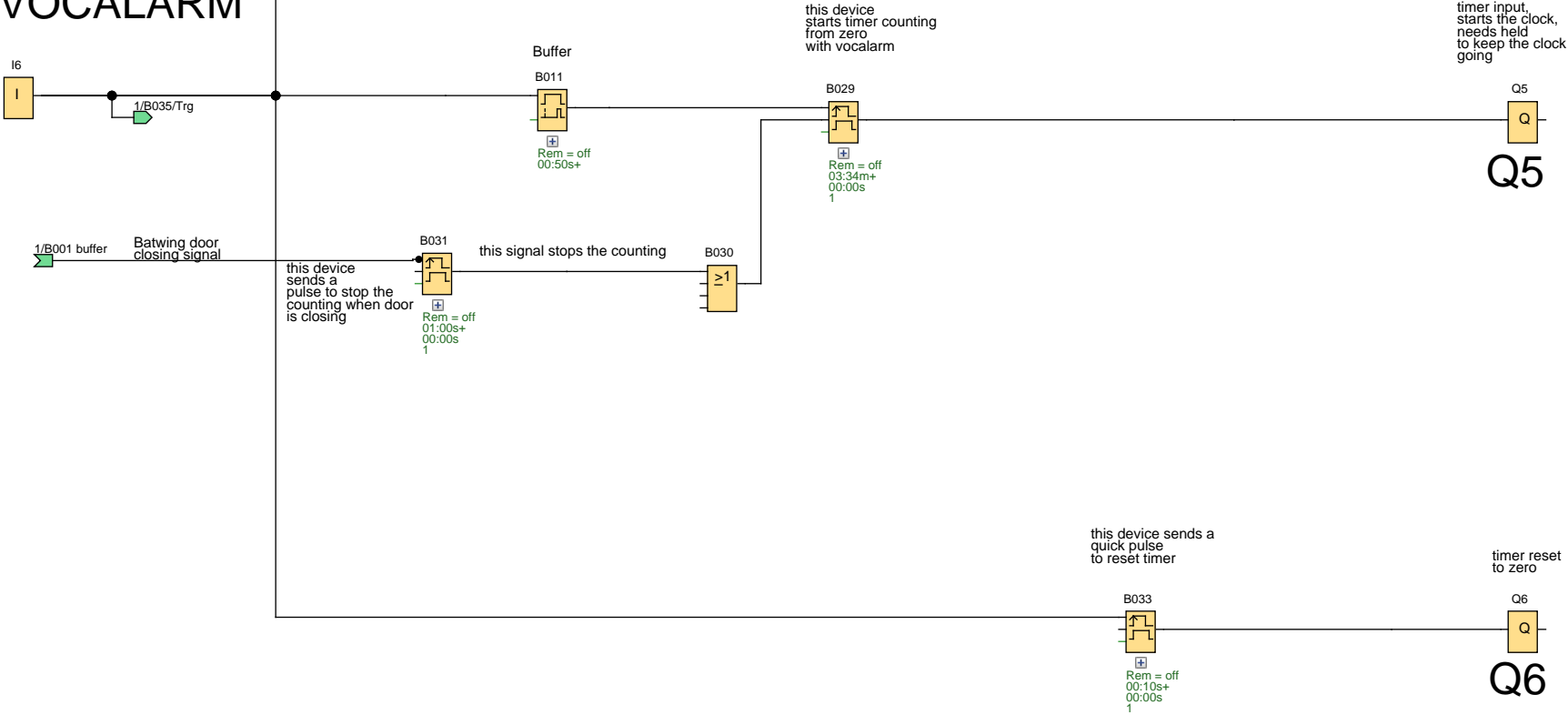
AES/RIG FAN SECTION
 this tells if "calling for" rig fan
 and rig fan current is
 being produced at the same time



Creator:	John Ledbetter	Denver Fire Lineshop	Project:	Sta 3 drs.va.ms	Customer:	Denver Fire Department
Checked:	5-4-22		Installation:		Diagram No.:	2
Date:	2/18/16 7:10 AM/6/10/22 8:24 AM		File:	Sta 3 drs, va, ms 5-4-22.lsc	Page:	8 / 19

Sta 3 SHOT CLOCK

I6-VOCALARM



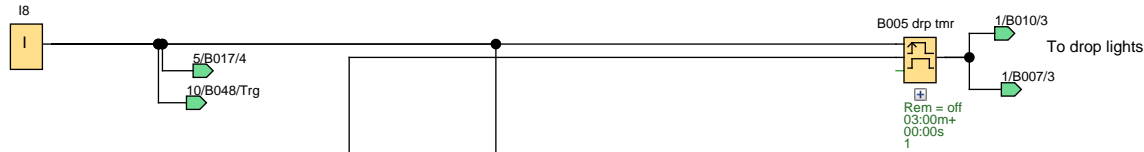
Creator:	John Ledbetter	Denver Fire Lineshop	Project:	Sta 3 drs.va.ms	Customer:	Denver Fire Department
Checked:	5-4-22		Installation:		Diagram No.:	2
Date:	2/18/16 7:10 AM/6/10/22 8:24 AM		File:	Sta 3 drs, va, ms 5-4-22.lsc	Page:	9 / 19

Sta 3

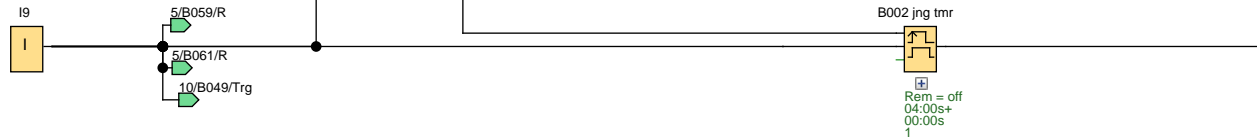
Creator:	John Ledbetter	Denver Fire Lineshop	Project:	Sta 3 drs.va.ms	Customer:	Denver Fire Department
Checked:	5-4-22		Installation:		Diagram No.:	2
Date:	2/18/16 7:10 AM/6/10/22 8:24 AM		File:	Sta 3 drs, va, ms 5-4-22.lsc	Page:	10 / 19

Sta 3 Machine Start Section

I8-Mach Start



I9-Mach Stop



I10-Jingler pushbutton

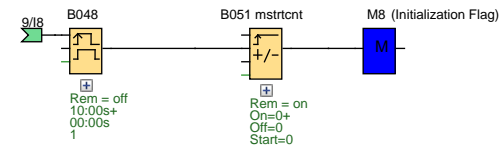


Creator:	John Ledbetter	Denver Fire Lineshop	Project:	Sta 3 drs.va.ms	Customer:	Denver Fire Department
Checked:	5-4-22		Installation:		Diagram No.:	2
Date:	2/18/16 7:10 AM/6/10/22 8:24 AM		File:	Sta 3 drs, va, ms 5-4-22.lsc	Page:	11 / 19

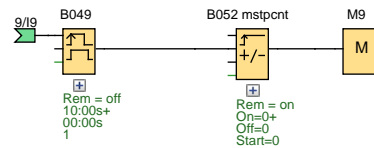
Sta 3

Counting sections

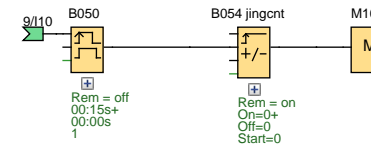
Machine start count



Machine stop count



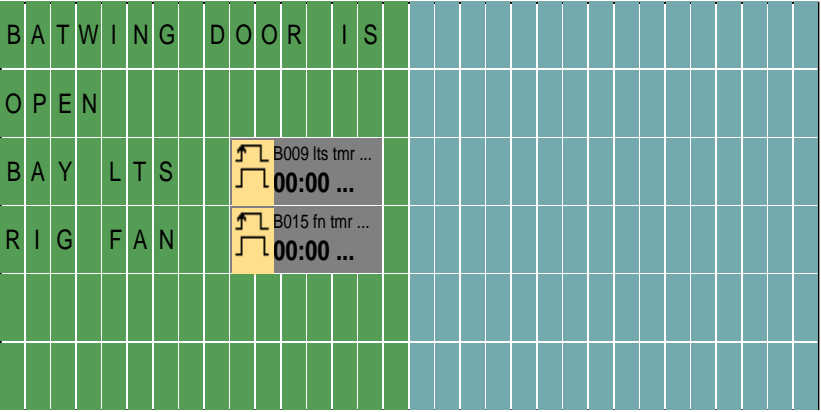
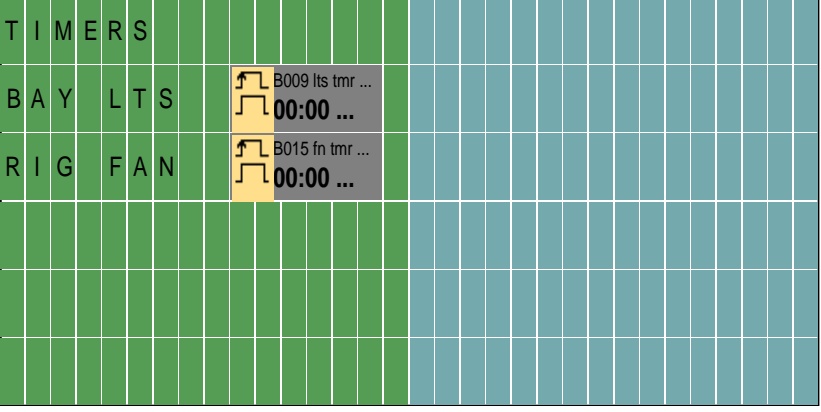
Jingler pushbutton count

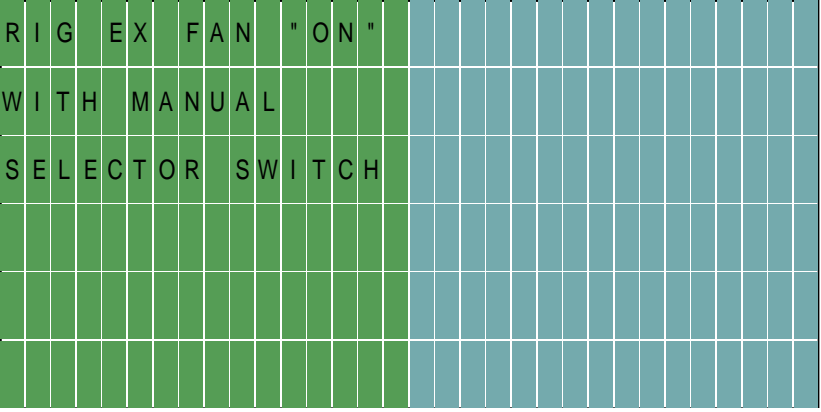
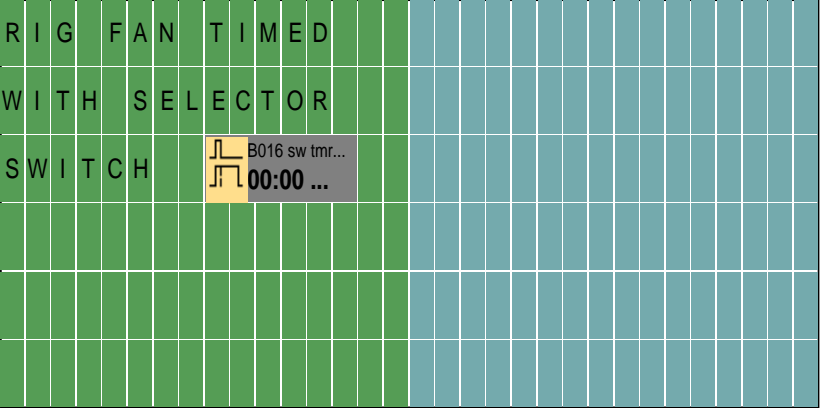


Creator:	John Ledbetter	Denver Fire Lineshop	Project:	Sta 3 drs.va.ms	Customer:	Denver Fire Department
Checked:	5-4-22		Installation:		Diagram No.:	2
Date:	2/18/16 7:10 AM/6/10/22 8:24 AM		File:	Sta 3 drs, va, ms 5-4-22.lsc	Page:	12 / 19

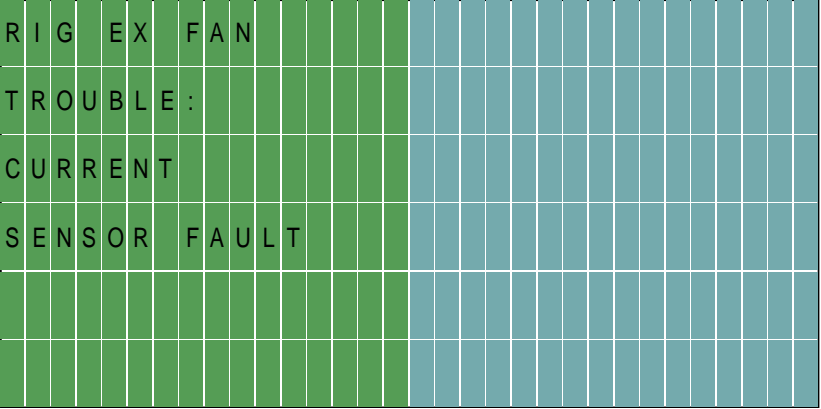
Block Number (Type)	Parameter
B001 buffer(On-delay) :	Rem = off 01:00s+
B002 jng tmr(Edge-triggered interval time-delay relay) :	Rem = off 04:00s+ 00:00s 1
B005 drp tmr(Edge-triggered interval time-delay relay) :	Rem = off 03:00m+ 00:00s 1
B009 lts tmr(Edge-triggered interval time-delay relay) :	Rem = off 02:00m+ 00:00s 1
B011(On-delay) :	Rem = off 00:50s+
B012 lt pulse(Asynchronous pulse generator) :	Rem = off 05:00s+ 01:00s
B015 fn tmr(Edge-triggered interval time-delay relay) : DOOR triggered RIG EXHAUST FAN TIMER	Rem = off 02:00m+ 00:00s 1
B016 sw tmr (Off-delay) :	Rem = off 15:00m+
B021(On-delay) :	Rem = off 10:00s+
B023(Asynchronous pulse generator) :	Rem = off 20:00s+ 01:00s
B024 Dr count(Up/Down counter) : BATWING DOOR OPEN COUNT	Rem = on On=0+ Off=0 Start=0
B025(Edge-triggered interval time-delay relay) :	Rem = off 02:00m+ 00:00s 1
B026 exfanctn(Up/Down counter) : Rig fan turn "ON" count	Rem = on On=0+ Off=0 Start=0
B027(Edge-triggered interval time-delay relay) :	Rem = off 09:98s+ 00:00s 1
B029(Edge-triggered interval time-delay relay) : this device starts timer counting from zero with vocalarm	Rem = off 03:34m+ 00:00s 1
B031(Edge-triggered interval time-delay relay) : this device sends a pulse to stop the counting when door is closing	Rem = off 01:00s+ 00:00s 1
B032 exfanhrs(Operating hours counter) : Rig fan hours	MI= 0h 0m+ OT= 0h 0m Q->0=R+En
B033(Edge-triggered interval time-delay relay) : this device sends a quick pulse to reset timer	Rem = off 00:10s+ 00:00s 1

Creator:	John Ledbetter	Denver Fire Lineshop	Project:	Sta 3 drs,va,ms	Customer:	Denver Fire Department
Checked:	5-4-22		Installation:		Diagram No.:	2
Date:	2/18/16 7:10 AM/6/10/22 8:24 AM		File:	Sta 3 drs, va, ms 5-4-22.lsc	Page:	13 / 19

Block Number (Type)	Parameter
<p>B034(Message texts) :</p>  <p>Line3.10 B009 lts tmr-THRest Line4.10 B015 fn tmr-THRest</p>	<p>Prio = 0 Quit = off Text1: enabled Text2: disabled</p> <p>Ticker setting - CBC - Line1: N - Line2: Z - Line3: Z - Line4: Z - Line5: Z - Line6: Z</p> <p>Message Destination - Both</p>
<p>B035(Edge-triggered interval time-delay relay) :</p>	<p>Rem = off 02:00m+ 00:00s 1</p>
<p>B036 fansw on(Up/Down counter) :</p>	<p>Rem = on On=0+ Off=0 Start=0</p>
<p>B037(Asynchronous pulse generator) :</p>	<p>Rem = off 03:00s+ 01:00s</p>
<p>B038 fn tmrs(Up/Down counter) :</p>	<p>Rem = on On=0+ Off=0 Start=0</p>
<p>B039(Edge-triggered interval time-delay relay) :</p>	<p>Rem = off 10:00s+ 00:00s 1</p>
<p>B040(Edge-triggered interval time-delay relay) :</p>	<p>Rem = off 10:00s+ 00:00s 1</p>
<p>B043(Message texts) :</p>  <p>Line2.10 B009 lts tmr-THRest Line3.10 B015 fn tmr-THRest</p>	<p>Prio = 1 Quit = off Text1: enabled Text2: disabled</p> <p>Ticker setting - CBC - Line1: N - Line2: Z - Line3: Z - Line4: Z - Line5: Z - Line6: Z</p> <p>Message Destination - Both</p>
<p>B044 bckup lt(Edge-triggered interval time-delay relay) :</p>	<p>Rem = off 01:30m+ 00:00s 1</p>

Block Number (Type)	Parameter
B045(On-delay) :	Rem = off 02:00s+
B046(Message texts) : 	Prio = 2 Quit = off Text1: enabled Text2: disabled Ticker setting - CBC - Line1: N - Line2: N - Line3: N - Line4: N - Line5: N - Line6: N Message Destination - Both
B047(Message texts) : 	Prio = 3 Quit = off Text1: enabled Text2: disabled Ticker setting - CBC - Line1: N - Line2: N - Line3: N - Line4: N - Line5: N - Line6: N Message Destination - Both
B048(Edge-triggered interval time-delay relay) :	Rem = off 10:00s+ 00:00s 1
B049(Edge-triggered interval time-delay relay) :	Rem = off 10:00s+ 00:00s 1
B050(Edge-triggered interval time-delay relay) :	Rem = off 00:15s+ 00:00s 1
B051 mstrtcnt(Up/Down counter) :	Rem = on On=0+ Off=0 Start=0
B052 mstpcnt(Up/Down counter) :	Rem = on On=0+ Off=0 Start=0
B054 jingcnt(Up/Down counter) :	Rem = on On=0+ Off=0 Start=0

Creator:	John Ledbetter	Denver Fire Lineshop	Project:	Sta 3 drs,va,ms	Customer:	Denver Fire Department
Checked:	5-4-22		Installation:		Diagram No.:	2
Date:	2/18/16 7:10 AM/6/10/22 8:24 AM		File:	Sta 3 drs, va, ms 5-4-22.lsc	Page:	15 / 19

Block Number (Type)	Parameter			
B058(Asynchronous pulse generator) :	Rem = off 00:50s+ 00:50s			
B059(Edge-triggered interval time-delay relay) :	Rem = off 05:00s+ 00:00s 1			
B060(On-delay) :	Rem = off 05:00s+			
B061(Edge-triggered interval time-delay relay) :	Rem = off 15:00s+ 00:00s 1			
B073(On-delay) :	Rem = off 03:00s+			
B074 fnoncnt(Up/Down counter) :	Rem = on On=0+ Off=0 Start=0			
B075 fncrntcn(Up/Down counter) :	Rem = on On=0+ Off=0 Start=0			
B076 aescnt(Up/Down counter) :	Rem = on On=0+ Off=0 Start=0			
B079(Message texts) : 	Prio = 4 Quit = off Text1: enabled Text2: disabled Ticker setting - CBC - Line1: N - Line2: ZZZZZ - Line3: ZZZZZ - Line4: ZZZZZ - Line5: ZZZZZ - Line6: ZZZZZ Message Destination - Both			
B080(Retentive on-delay) :	Rem = off 01:00m+			
1(Input) : 1-BATWING DOOR Limit switch				
2(Input) : 2-Rig Fan Current Sensor				
4(Input) : 4-ex fan selector sw on,				
5(Input) : 5-EX fan selector sw timed				
6(Input) : 6-VOCALARM				
8(Input) : 8-Mach Start				
Creator: John Ledbetter	Denver Fire Lineshop	Project: Sta 3 drs,va,ms	Customer: Denver Fire Department	Diagram No.: 2
Checked: 5-4-22		Installation:	Diagram No.:	2
Date: 2/18/16 7:10 AM/6/10/22 8:24 AM		File: Sta 3 drs, va, ms 5-4-22.lsc	Page:	16 / 19

Block Number (Type)	Parameter
I9(Input) : I9-Mach Stop	
I10(Input) : I10-Jingler pushbutton	
Q1(Output) : Q1-APPARATUS BAY LIGHTS and Drop lights together	
Q2(Output) : Q2-Output to AES	
Q3(Output) : Q3-Rig ex fan	
Q4(Output) : Q4-Back up LED light	
Q5(Output) : timer input, starts the clock, needs held to keep the clock going	
Q6(Output) : timer reset to zero	
Q7(Output) : Q7-Jingler	

Creator:	John Ledbetter	Denver Fire Lineshop	Project:	Sta 3 drs,va,ms	Customer:	Denver Fire Department
Checked:	5-4-22		Installation:		Diagram No.:	2
Date:	2/18/16 7:10 AM/6/10/22 8:24 AM		File:	Sta 3 drs, va, ms 5-4-22.lsc	Page:	17 / 19

Connection	Label
I1	
I2	
I4	
I5	
I6	
I8	
I9	
I10	
M1	
M2	
M3	
M4	
M5	
M6	
M7	
M8	Initialization Flag
M9	
M10	
M11	
M12	
M13	
M15	
M16	
M17	
M18	
Q1	
Q2	
Q3	
Q4	

Connection	Label
Q5	
Q6	
Q7	
Q8	

Creator:	John Ledbetter	Denver Fire Lineshop	Project:	Sta 3 drs,va,ms	Customer:	Denver Fire Department
Checked:	5-4-22		Installation:		Diagram No.:	2
Date:	2/18/16 7:10 AM/6/10/22 8:24 AM		File:	Sta 3 drs, va, ms 5-4-22.lsc	Page:	19 / 19