

Comment

2-6-19 added counters for the first time ever, msgs etc, also added AES current sensor interconnect, and dwnlded, yes
5-24-22 counters read==ndr cnt 731, cdr cnt 24451, sdr cnt 2669, exfanct 24881, exfanhrs 836h 34m, fansw on 1, fn
tmrsw 1, nopencnt 421, copencnt 44345, sopenct 2235, fron cnt 24879, fnrcnt 24887, aesoutcn 9, city IP installed,
MOV yes, slo flash yes, type FS-04 verified, all counts to zero redwlded, used old/ new Smart so monitor for trouble, sd
card in yes, online tests all good

Creator:	John Ledbetter	Denver Fire Lineshop	Project:	Sta6drs	Customer:	Denver Fire Department
Checked:	5-24-22		Installation:		Diagram No.:	
Date:	5/12/16 7:45 AM/6/10/22 8:38 AM		File:	Sta 6 drs 5-24-22.lsc	Page:	1 / 21

Module Address

IP Address 10.126.163.133
Subnet Mask: 255.255.255.240
Default gateway 10.126.163.129

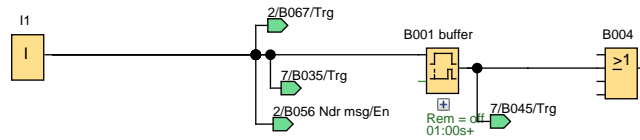
Creator:	John Ledbetter	Denver Fire Lineshop	Project:	Sta6drs	Customer:	Denver Fire Department
Checked:	5-24-22		Installation:		Diagram No.:	
Date:	5/12/16 7:45 AM/6/10/22 8:38 AM		File:	Sta 6 drs 5-24-22.lsc	Page:	2 / 21

Station 6 Doors 5-24-22 type FS-04 verified

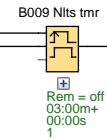
City IP address 10.126.163.133
 255.255.255.240
 10.126.163.129

Door section, app. bay lts

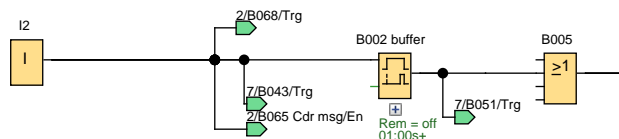
11-NORTH DOOR
limit switch



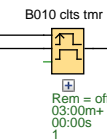
North lights
timer



12-CENTER DOOR
limit switch



Center lights
timer



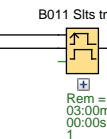
Q1-APPARATUS
BAY LIGHTS



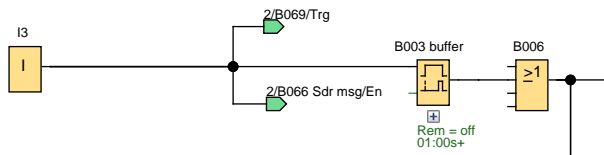
Lot: W105°0'10"+
 Lat: N39°44'53"
 TZ: -7
 Sunrise offset: 20
 Sunset offset: -20



South lights
timer



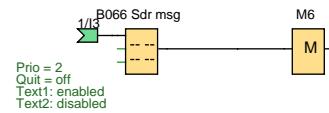
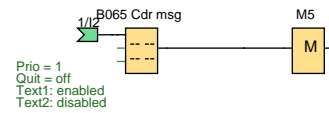
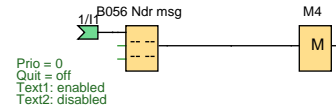
13-SOUTH DOOR
limit switch



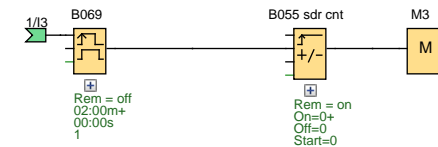
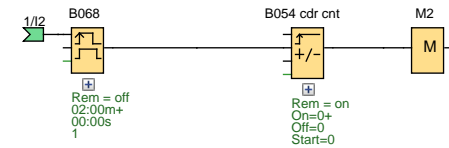
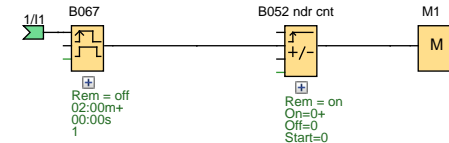
Creator:	John Ledbetter	Denver Fire Lineshop	Project:	Sta6drs	Customer:	Denver Fire Department
Checked:	5-24-22		Installation:		Diagram No.:	
Date:	5/12/16 7:45 AM/6/10/22 8:38 AM		File:	Sta 6 drs 5-24-22.lsc	Page:	3 / 21

Sta 6

MESSAGE SECTION

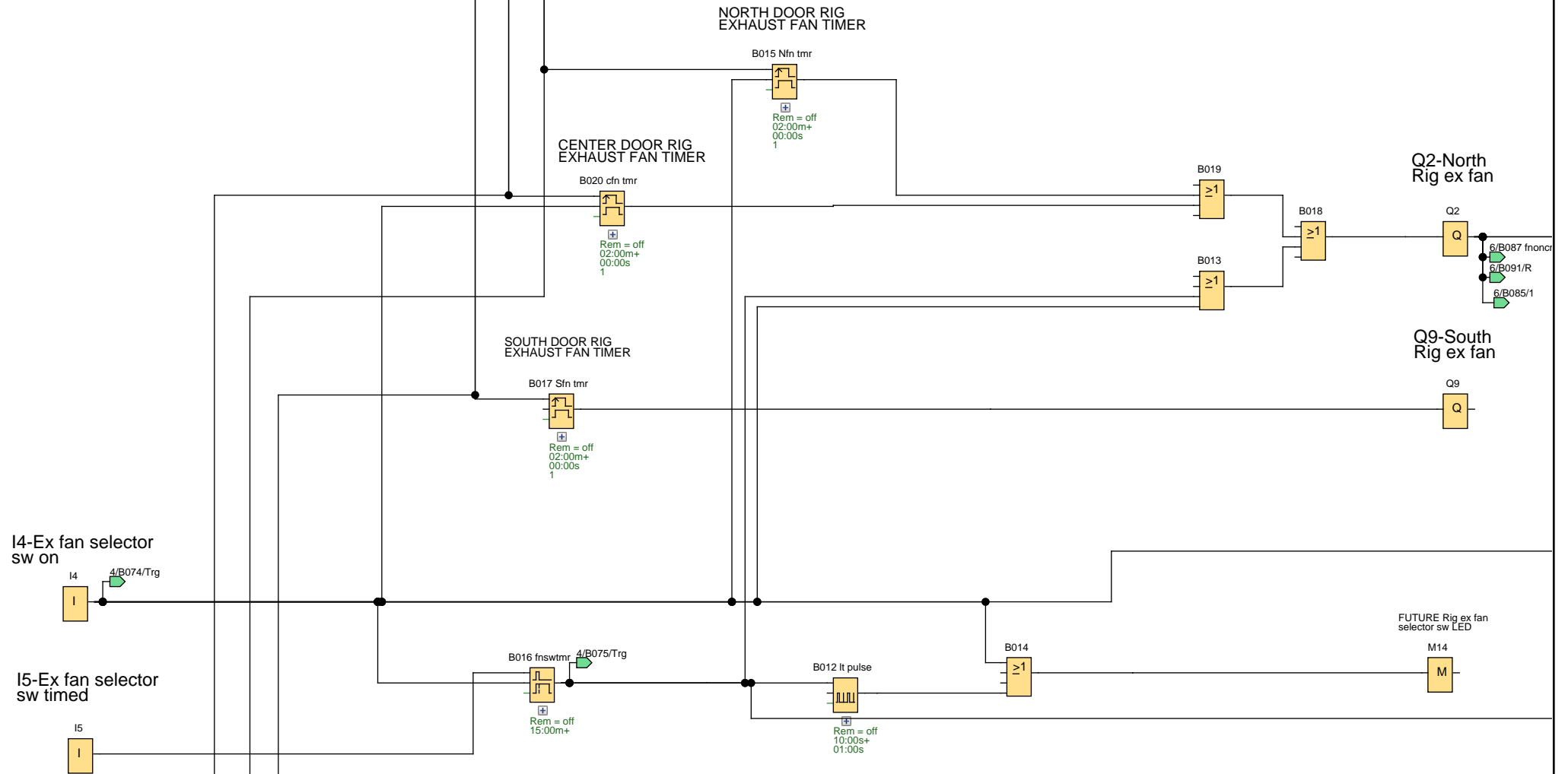


Counting sections



Creator:	John Ledbetter	Denver Fire Lineshop	Project:	Sta6drs	Customer:	Denver Fire Department
Checked:	5-24-22		Installation:		Diagram No.:	
Date:	5/12/16 7:45 AM/6/10/22 8:38 AM		File:	Sta 6 drs 5-24-22.lsc	Page:	4 / 21

Sta 6 Rig exhaust fan section - NOTE: this station has two fans

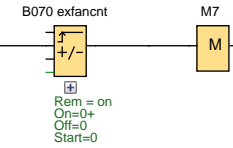


Creator:	John Ledbetter	Project:	Sta6drs	Customer:	Denver Fire Department
Checked:	5-24-22	Installation:		Diagram No.:	
Date:	5/12/16 7:45 AM/6/10/22 8:38 AM	File:	Sta 6 drs 5-24-22.lsc	Page:	5 / 21

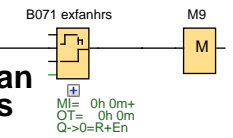
Sta 6

Counting sections

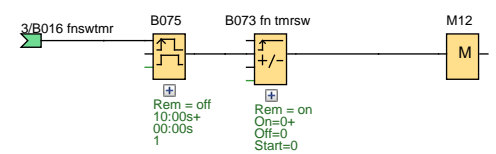
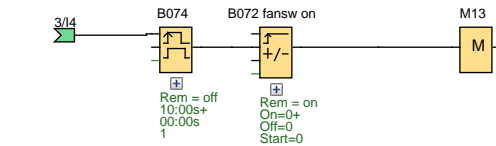
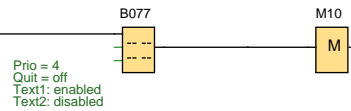
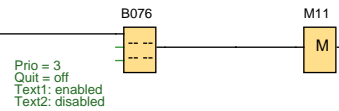
Rig fan "ON" count



Rig fan hours



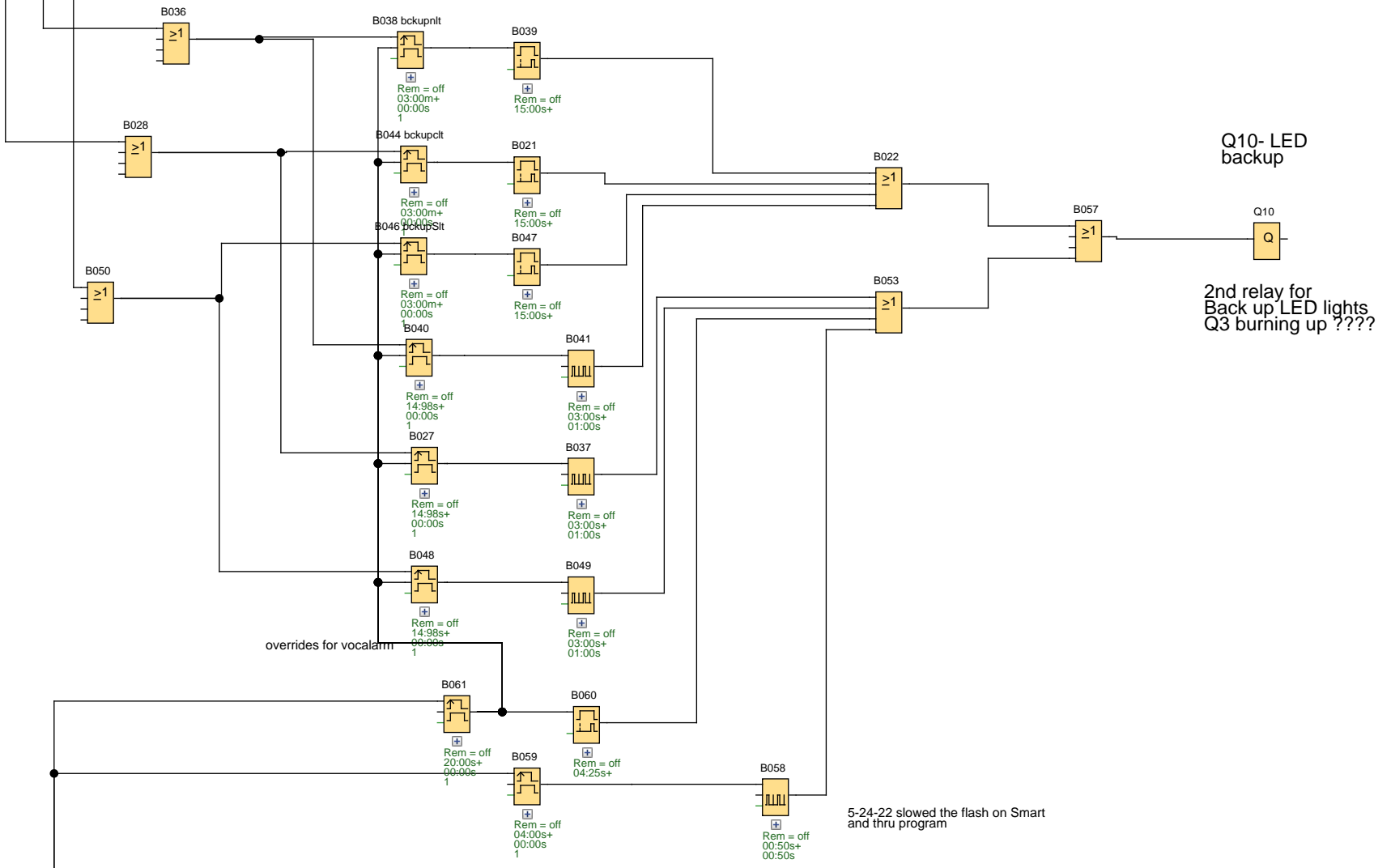
Message sections



Creator:	John Ledbetter	Denver Fire Lineshop	Project:	Sta6drs	Customer:	Denver Fire Department
Checked:	5-24-22		Installation:		Diagram No.:	
Date:	5/12/16 7:45 AM/6/10/22 8:38 AM		File:	Sta 6 drs 5-24-22.lsc	Page:	6 / 21

Station 6 Doors LED backup

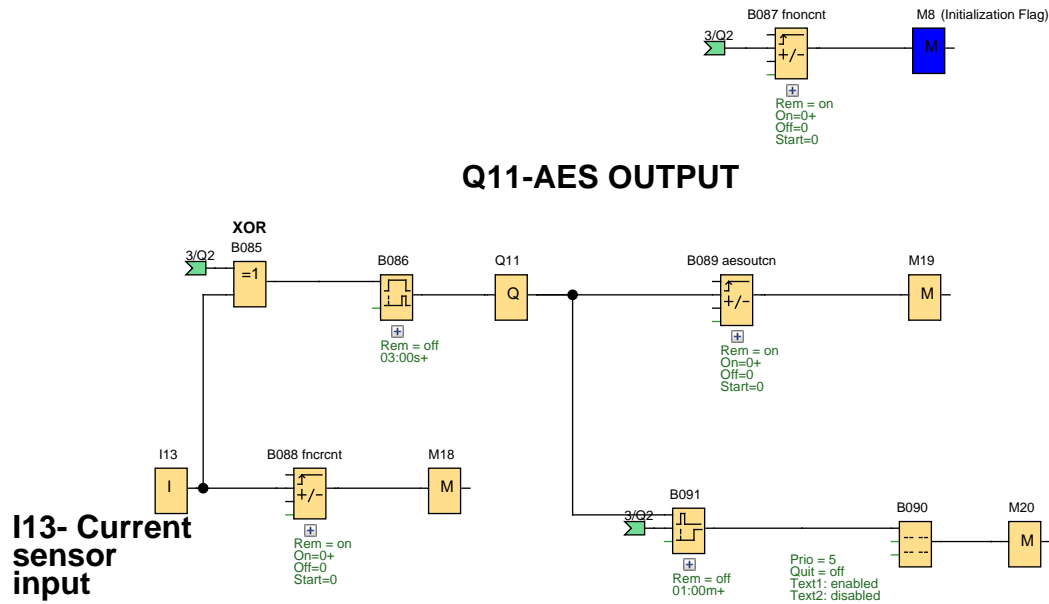
Back up LED light section
 Note: a Lt. said sometimes it takes a while to wait for traffic, so 3 minutes on LED



Creator:	John Ledbetter	Denver Fire Lineshop	Project:	Sta6drs	Customer:	Denver Fire Department
Checked:	5-24-22		Installation:		Diagram No.:	
Date:	5/12/16 7:45 AM/6/10/22 8:38 AM		File:	Sta 6 drs 5-24-22.lsc	Page:	7 / 21

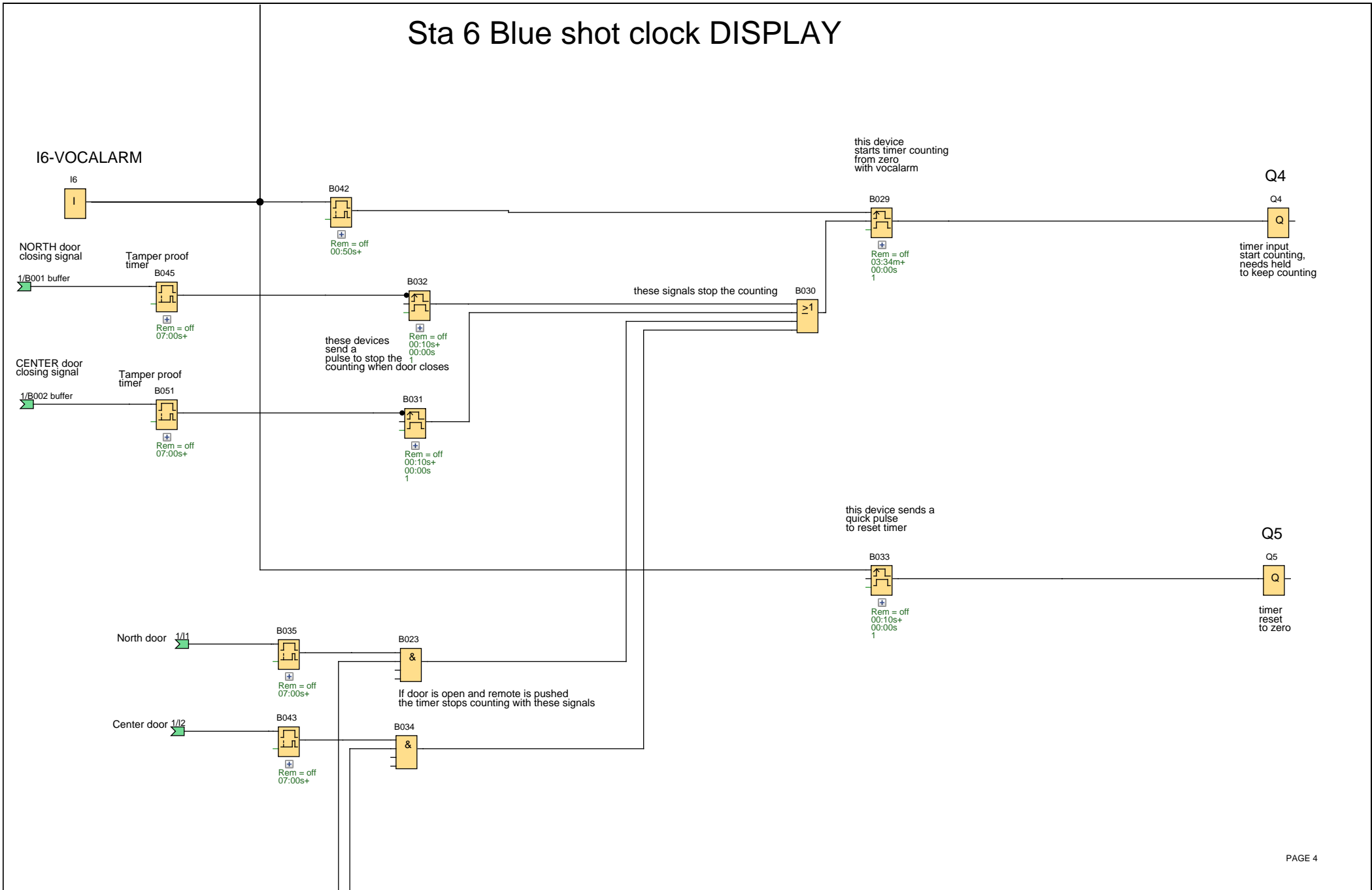
Sta 6

AES/RIG FAN SECTION
 this tells if "calling for" rig fan
 and rig fan current is
 being produced at the same time



Creator:	John Ledbetter	Denver Fire Lineshop	Project:	Sta6drs	Customer:	Denver Fire Department
Checked:	5-24-22		Installation:		Diagram No.:	
Date:	5/12/16 7:45 AM/6/10/22 8:38 AM		File:	Sta 6 drs 5-24-22.lsc	Page:	8 / 21

Sta 6 Blue shot clock DISPLAY



Creator:	John Ledbetter	Denver Fire Lineshop	Project:	Sta6drs	Customer:	Denver Fire Department
Checked:	5-24-22		Installation:		Diagram No.:	
Date:	5/12/16 7:45 AM/6/10/22 8:38 AM		File:	Sta 6 drs 5-24-22.lsc	Page:	9 / 21

Sta 6

Creator:	John Ledbetter	Denver Fire Lineshop	Project:	Sta6drs	Customer:	Denver Fire Department
Checked:	5-24-22		Installation:		Diagram No.:	
Date:	5/12/16 7:45 AM/6/10/22 8:38 AM		File:	Sta 6 drs 5-24-22.lsc	Page:	10 / 21

Sta 6 Door Receiver pulse section

I10-NORTH door-receiver



This keeps engineer from repeat remote pushing



Rem = off
01:50s+
00:00s
1



Rem = off
00:50s+
00:00s
1

Q6



To north opener
white and orange

I11-CENTER door-receiver



This keeps engineer from repeat remote pushing



Rem = off
01:50s+
00:00s
1



Rem = off
00:50s+
00:00s
1

Q7



To center opener
white and orange

I12-SOUTH door-receiver



This keeps engineer from repeat remote pushing



Rem = off
01:50s+
00:00s
1



Rem = off
00:50s+
00:00s
1

Q8

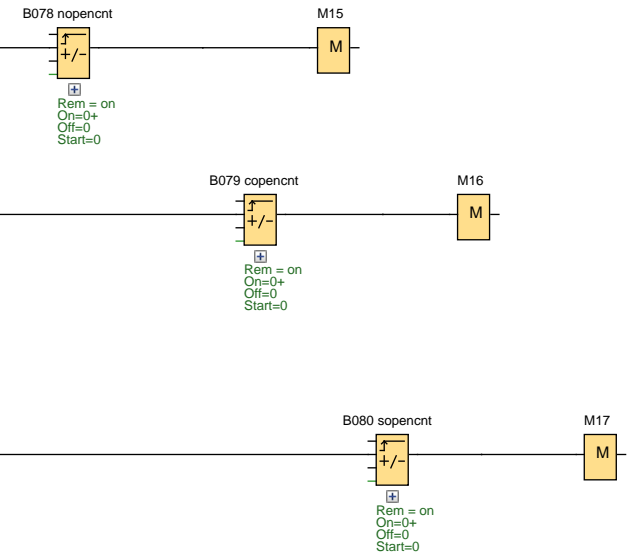


To south opener
white and orange

Creator:	John Ledbetter	Denver Fire Lineshop	Project:	Sta6drs	Customer:	Denver Fire Department
Checked:	5-24-22		Installation:		Diagram No.:	
Date:	5/12/16 7:45 AM/6/10/22 8:38 AM		File:	Sta 6 drs 5-24-22.lsc	Page:	11 / 21

Sta 6

Counting sections



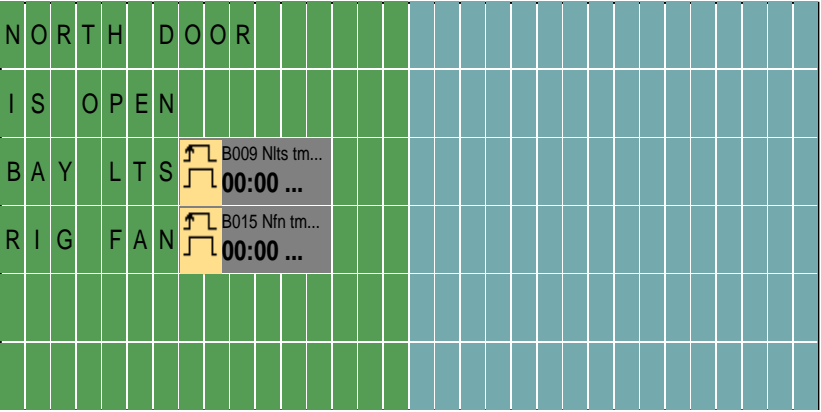
Creator:	John Ledbetter	Denver Fire Lineshop	Project:	Sta6drs	Customer:	Denver Fire Department
Checked:	5-24-22		Installation:		Diagram No.:	
Date:	5/12/16 7:45 AM/6/10/22 8:38 AM		File:	Sta 6 drs 5-24-22.lsc	Page:	12 / 21

Block Number (Type)	Parameter
B001 buffer(On-delay) :	Rem = off 01:00s+
B002 buffer(On-delay) :	Rem = off 01:00s+
B003 buffer(On-delay) :	Rem = off 01:00s+
B009 Nlts tmr(Edge-triggered interval time-delay relay) : North lights timer	Rem = off 03:00m+ 00:00s 1
B010 clts tmr(Edge-triggered interval time-delay relay) : Center lights timer	Rem = off 03:00m+ 00:00s 1
B011 Slts tmr(Edge-triggered interval time-delay relay) : South lights timer	Rem = off 03:00m+ 00:00s 1
B012 lt pulse(Asynchronous pulse generator) :	Rem = off 10:00s+ 01:00s
B015 Nfn tmr(Edge-triggered interval time-delay relay) : NORTH DOOR RIG EXHAUST FAN TIMER	Rem = off 02:00m+ 00:00s 1
B016 fnswtmr(Off-delay) :	Rem = off 15:00m+
B017 Sfn tmr(Edge-triggered interval time-delay relay) : SOUTH DOOR RIG EXHAUST FAN TIMER	Rem = off 02:00m+ 00:00s 1
B020 cfn tmr(Edge-triggered interval time-delay relay) : CENTER DOOR RIG EXHAUST FAN TIMER	Rem = off 02:00m+ 00:00s 1
B021(On-delay) :	Rem = off 15:00s+
B024(Edge-triggered interval time-delay relay) : This keeps engineer from repeat remote pushing	Rem = off 01:50s+ 00:00s 1
B025(Edge-triggered interval time-delay relay) : This keeps engineer from repeat remote pushing	Rem = off 01:50s+ 00:00s 1
B026(Edge-triggered interval time-delay relay) : This keeps engineer form repeat remote pushing	Rem = off 01:50s+ 00:00s 1
B027(Edge-triggered interval time-delay relay) :	Rem = off 14:98s+ 00:00s 1
B029(Edge-triggered interval time-delay relay) : this device starts timer counting from zero with vocalarm	Rem = off 03:34m+ 00:00s 1
B031(Edge-triggered interval time-delay relay) : these devices send a pulse to stop the counting when door closes	Rem = off 00:10s+ 00:00s 1
B032(Edge-triggered interval time-delay relay) :	Rem = off 00:10s+ 00:00s 1

Creator:	John Ledbetter	Denver Fire Lineshop	Project:	Sta6drs	Customer:	Denver Fire Department
Checked:	5-24-22		Installation:		Diagram No.:	
Date:	5/12/16 7:45 AM/6/10/22 8:38 AM		File:	Sta 6 drs 5-24-22.lsc	Page:	13 / 21

Block Number (Type)	Parameter
B033(Edge-triggered interval time-delay relay) : this device sends a quick pulse to reset timer	Rem = off 00:10s+ 00:00s 1
B035(On-delay) :	Rem = off 07:00s+
B037(Asynchronous pulse generator) :	Rem = off 03:00s+ 01:00s
B038 bckupnlt(Edge-triggered interval time-delay relay) :	Rem = off 03:00m+ 00:00s 1
B039(On-delay) :	Rem = off 15:00s+
B040(Edge-triggered interval time-delay relay) :	Rem = off 14:98s+ 00:00s 1
B041(Asynchronous pulse generator) :	Rem = off 03:00s+ 01:00s
B042(On-delay) :	Rem = off 00:50s+
B043(On-delay) :	Rem = off 07:00s+
B044 bckupclt(Edge-triggered interval time-delay relay) :	Rem = off 03:00m+ 00:00s 1
B045(On-delay) :	Rem = off 07:00s+
B046 bckupSlT(Edge-triggered interval time-delay relay) :	Rem = off 03:00m+ 00:00s 1
B047(On-delay) :	Rem = off 15:00s+
B048(Edge-triggered interval time-delay relay) :	Rem = off 14:98s+ 00:00s 1
B049(Asynchronous pulse generator) :	Rem = off 03:00s+ 01:00s
B051(On-delay) :	Rem = off 07:00s+
B052 ndr cnt(Up/Down counter) :	Rem = on On=0+ Off=0 Start=0
B054 cdr cnt(Up/Down counter) :	Rem = on On=0+ Off=0 Start=0
B055 sdr cnt(Up/Down counter) :	Rem = on On=0+ Off=0 Start=0

Creator:	John Ledbetter	Denver Fire Lineshop	Project:	Sta6drs	Customer:	Denver Fire Department
Checked:	5-24-22		Installation:		Diagram No.:	
Date:	5/12/16 7:45 AM/6/10/22 8:38 AM		File:	Sta 6 drs 5-24-22.lsc	Page:	14 / 21

Block Number (Type)	Parameter
<p>B056 Ndr msg(Message texts) :</p>  <p>Line3.8 B009 Nlts tmr-THRest Line4.8 B015 Nfn tmr-THRest</p>	<p>Prio = 0 Quit = off Text1: enabled Text2: disabled</p> <p>Ticker setting - CBC - Line1: N - Line2: Z - Line3: Z - Line4: Z - Line5: Z - Line6: Z Message Destination - Both</p>

B058(Asynchronous pulse generator) :	Rem = off 00:50s+ 00:50s
--------------------------------------	--------------------------------

B059(Edge-triggered interval time-delay relay) :	Rem = off 04:00s+ 00:00s 1
--	-------------------------------------

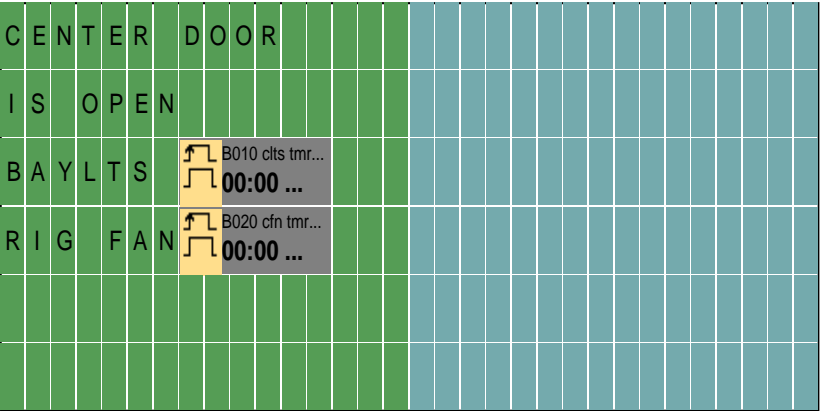
B060(On-delay) :	Rem = off 04:25s+
------------------	----------------------

B061(Edge-triggered interval time-delay relay) :	Rem = off 20:00s+ 00:00s 1
--	-------------------------------------

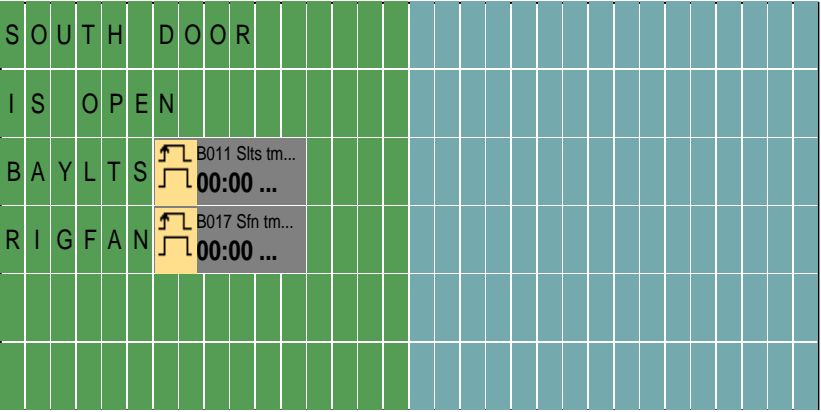
B062 npulse(Edge-triggered interval time-delay relay) :	Rem = off 00:50s+ 00:00s 1
---	-------------------------------------

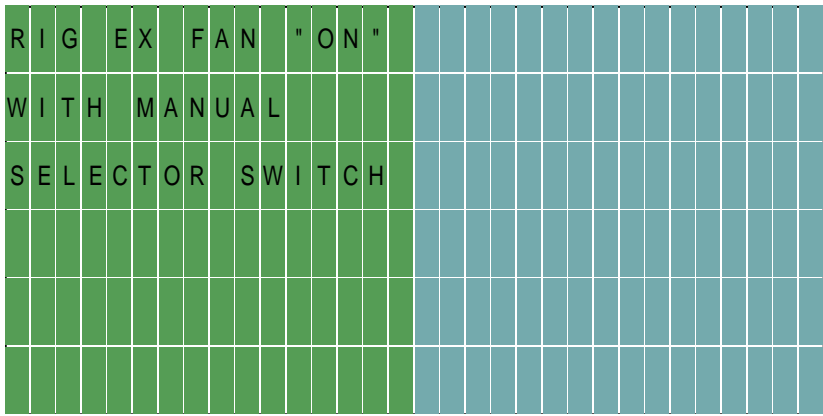
B063 cpulse(Edge-triggered interval time-delay relay) :	Rem = off 00:50s+ 00:00s 1
---	-------------------------------------

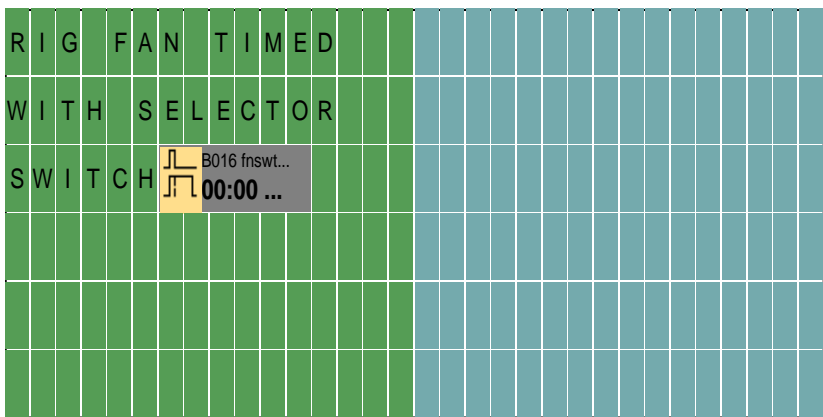
B064 spulse(Edge-triggered interval time-delay relay) :	Rem = off 00:50s+ 00:00s 1
---	-------------------------------------

<p>B065 Cdr msg(Message texts) :</p>  <p>Line3.8 B010 clts tmr-THRest Line4.8 B020 cfn tmr-THRest</p>	<p>Prio = 1 Quit = off Text1: enabled Text2: disabled</p> <p>Ticker setting - CBC - Line1: N - Line2: Z - Line3: Z - Line4: Z - Line5: Z - Line6: Z Message Destination - Both</p>
--	--

Creator:	John Ledbetter	Denver Fire Lineshop	Project:	Sta6drs	Customer:	Denver Fire Department
Checked:	5-24-22		Installation:		Diagram No.:	
Date:	5/12/16 7:45 AM/6/10/22 8:38 AM		File:	Sta 6 drs 5-24-22.lsc	Page:	15 / 21

Block Number (Type)	Parameter
<p>B066 Sdr msg(Message texts) :</p>  <p>Line3.7 B011 SIts tmr-THRest Line4.7 B017 Sfn tmr-THRest</p>	<p>Prio = 2 Quit = off Text1: enabled Text2: disabled</p> <p>Ticker setting - CBC - Line1: N - Line2: N - Line3: N - Line4: N - Line5: N - Line6: N</p> <p>Message Destination - Both</p>
<p>B067(Edge-triggered interval time-delay relay) :</p>	<p>Rem = off 02:00m+ 00:00s 1</p>
<p>B068(Edge-triggered interval time-delay relay) :</p>	<p>Rem = off 02:00m+ 00:00s 1</p>
<p>B069(Edge-triggered interval time-delay relay) :</p>	<p>Rem = off 02:00m+ 00:00s 1</p>
<p>B070 exfanCnt(Up/Down counter) : Rig fan "ON" count</p>	<p>Rem = on On=0+ Off=0 Start=0</p>
<p>B071 exfanhrs(Operating hours counter) : Rig fan hours</p>	<p>MI= 0h 0m+ OI= 0h 0m Q->0=R+En</p>
<p>B072 fansw on(Up/Down counter) :</p>	<p>Rem = on On=0+ Off=0 Start=0</p>
<p>B073 fn tmrsW(Up/Down counter) :</p>	<p>Rem = on On=0+ Off=0 Start=0</p>
<p>B074(Edge-triggered interval time-delay relay) :</p>	<p>Rem = off 10:00s+ 00:00s 1</p>
<p>B075(Edge-triggered interval time-delay relay) :</p>	<p>Rem = off 10:00s+ 00:00s 1</p>

Block Number (Type)	Parameter
<p>B076(Message texts) :</p> 	<p>Prio = 3 Quit = off Text1: enabled Text2: disabled</p> <p>Ticker setting - CBC - Line1: N - Line2: N - Line3: N - Line4: N - Line5: N - Line6: N Message Destination - Both</p>

<p>B077(Message texts) :</p>  <p>Line3.7 B016 fnswtmr-TRest</p>	<p>Prio = 4 Quit = off Text1: enabled Text2: disabled</p> <p>Ticker setting - CBC - Line1: N - Line2: N - Line3: N - Line4: N - Line5: N - Line6: N Message Destination - Both</p>
---	--

B078 nopencnt(Up/Down counter) :	Rem = on On=0+ Off=0 Start=0
----------------------------------	---------------------------------------

B079 copencnt(Up/Down counter) :	Rem = on On=0+ Off=0 Start=0
----------------------------------	---------------------------------------

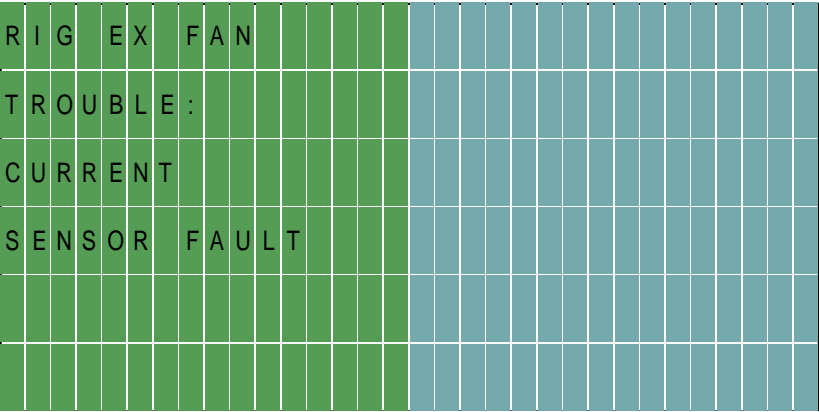
B080 sopencnt(Up/Down counter) :	Rem = on On=0+ Off=0 Start=0
----------------------------------	---------------------------------------

B081(Astronomical clock) :	Lot: W105°0'10"+ Lat: N39°44'53" TZ: -7 Sunrise offset: 20 Sunset offset: -20
----------------------------	---

B086(On-delay) :	Rem = off 03:00s+
------------------	----------------------

B087 fnoncnt(Up/Down counter) :	Rem = on On=0+ Off=0 Start=0
---------------------------------	---------------------------------------

B088 fncrcnt(Up/Down counter) :	Rem = on On=0+ Off=0 Start=0
---------------------------------	---------------------------------------

Block Number (Type)	Parameter
B089 aesoutcn(Up/Down counter) :	Rem = on On=0+ Off=0 Start=0
B090(Message texts) : 	Prio = 5 Quit = off Text1: enabled Text2: disabled Ticker setting - CBC - Line1: N - Line2: N - Line3: N - Line4: N - Line5: N - Line6: N Message Destination - Both
B091(Retentive on-delay) :	Rem = off 01:00m+
I1(Input) : I1-NORTH DOOR limit switch	
I2(Input) : I2-CENTER DOOR limit switch	
I3(Input) : I3-SOUTH DOOR limit switch	
I4(Input) : I4-Ex fan selector sw on	
I5(Input) : I5-EX fan selector sw timed	
I6(Input) : I6-VOCALARM	
I10(Input) : I10-NORTH door- receiver	
I11(Input) : I11-CENTER door- receiver	
I12(Input) : I12-SOUTH door- receiver	
I13(Input) : I13- Current sensor input	
Q1(Output) : Q1-APPARATUS BAY LIGHTS	
Q2(Output) : Q2-North Rig ex fan	
Q4(Output) : timer input start counting, needs held to keep counting	

Block Number (Type)	Parameter
Q5(Output) : timer reset to zero	
Q6(Output) : To north opener white and orange	
Q7(Output) : To center opener white and orange	
Q8(Output) : To south opener white and orange	
Q9(Output) : Q9-South Rig ex fan	
Q10(Output) : Q10- LED backup	
Q11(Output) : Q11-AES OUTPUT	

Creator:	John Ledbetter	Denver Fire Lineshop	Project:	Sta6drs	Customer:	Denver Fire Department
Checked:	5-24-22		Installation:		Diagram No.:	
Date:	5/12/16 7:45 AM/6/10/22 8:38 AM		File:	Sta 6 drs 5-24-22.lsc	Page:	19 / 21

Connection	Label
I1	
I2	
I3	
I4	
I5	
I6	
I10	
I11	
I12	
I13	
M1	
M2	
M3	
M4	
M5	
M6	
M7	
M8	Initialization Flag
M9	
M10	
M11	
M12	
M13	
M14	
M15	
M16	
M17	
M18	
M19	

Connection	Label
M20	
Q1	
Q2	
Q4	
Q5	
Q6	
Q7	
Q8	
Q9	
Q10	
Q11	

