

Comment

9-14-21 changed to a network style Smart
1-18-22 now on online city network and in DFD share files
2-2- 22 tweaked, redwnld, lost counts, ALL COUNTS RESET TO ZERO
5-4-22 counts read Vaenbcount 177, drbtncount 119, B018 889, all counts to zero
6-2-22 redwnlded and lost all counts to zero

Creator:	Muniz/jbl	Denver Fire Dept.	Project:		Customer:	DFD Lineshop
Checked:	5-4-22		Installation:	Drop - Doorbell	Diagram No.:	
Date:	9/14/21 8:44 AM/6/10/22 9:31 AM		File:	Lineshop drop doorbell 5-4-22.lsc	Page:	1 / 10

Module Address

IP Address 10.126.165.133
Subnet Mask: 255.255.255.240
Default gateway 10.126.165.129

Creator:	Muniz/jbl	Project:		Customer:	DFD Lineshop
Checked:	5-4-22	Installation:	Drop - Doorbell	Diagram No.:	
Date:	9/14/21 8:44 AM/6/10/22 9:31 AM	File:	Lineshop drop doorbell 5-4-22.lsc	Page:	2 / 10

Lineshop drop and Doorbell

5-4-22
 Type: FL1F
 IP Address: 10.126.165.133
 Subnet mask: 255.255.255.240
 Gateway: 10.126.165.129

I1-VA enable Lineshop

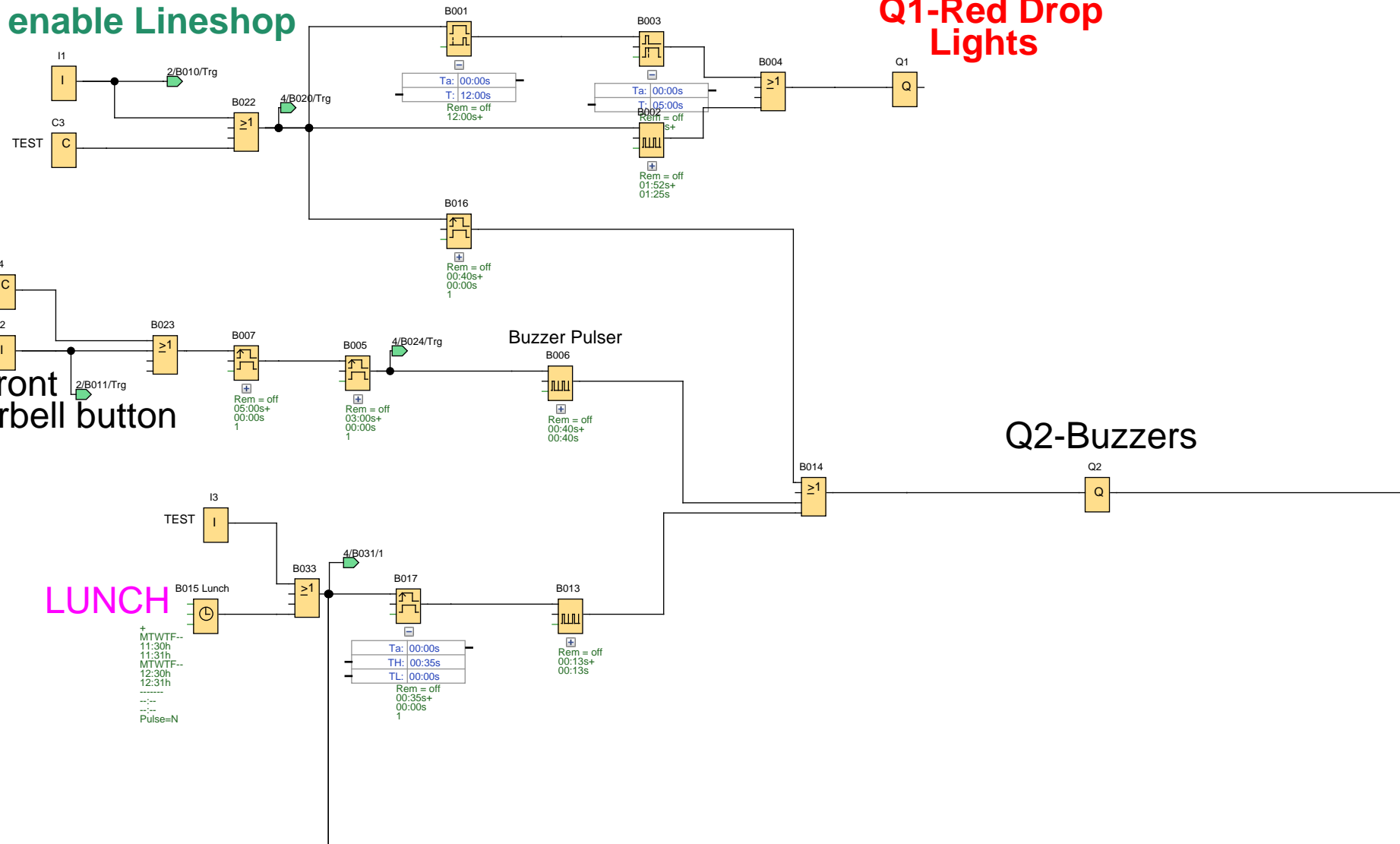
Q1-Red Drop Lights

I2-Front Doorbell button

Buzzer Pulsar

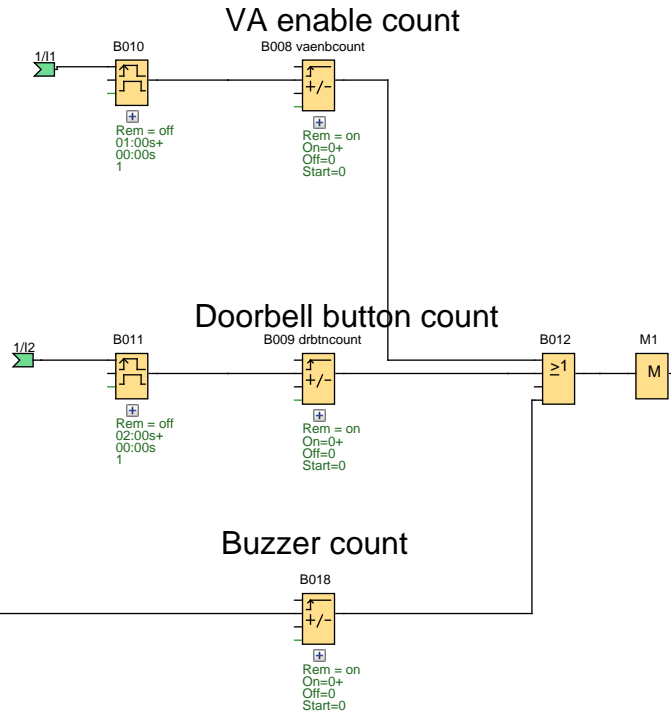
Q2-Buzzers

LUNCH

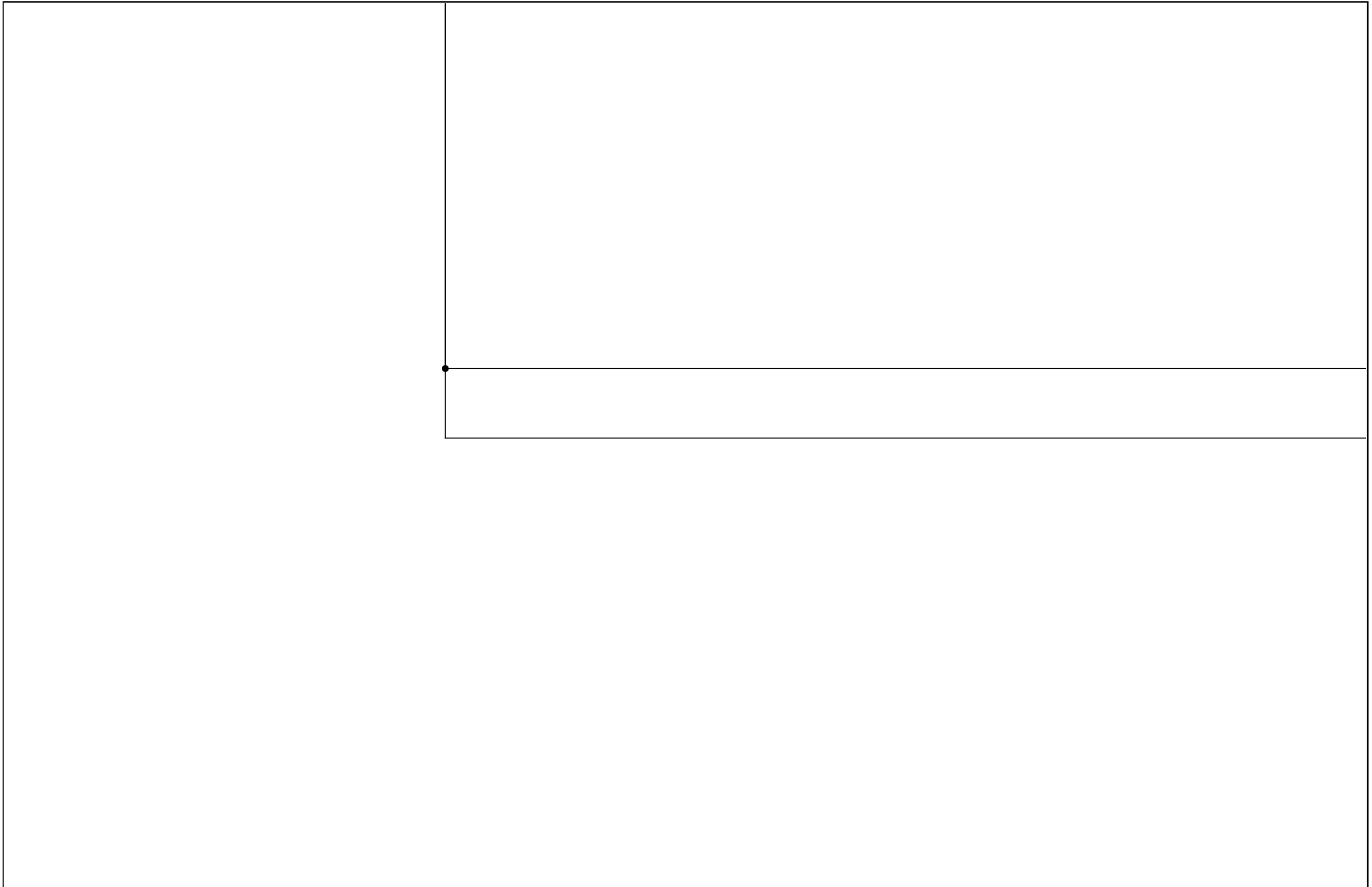


Creator:	Muniz/jbl	Project:		Customer:	DFD Lineshop
Checked:	5-4-22	Installation:	Drop - Doorbell	Diagram No.:	
Date:	9/14/21 8:44 AM/6/10/22 9:31 AM	File:	Lineshop drop doorbell 5-4-22.lsc	Page:	3 / 10
	Denver Fire Dept.				

COUNTERS



Creator:	Muniz/jbl	Denver Fire Dept.	Project:		Customer:	DFD Lineshop
Checked:	5-4-22		Installation:	Drop - Doorbell	Diagram No.:	
Date:	9/14/21 8:44 AM/6/10/22 9:31 AM		File:	Lineshop drop doorbell 5-4-22.lsc	Page:	4 / 10

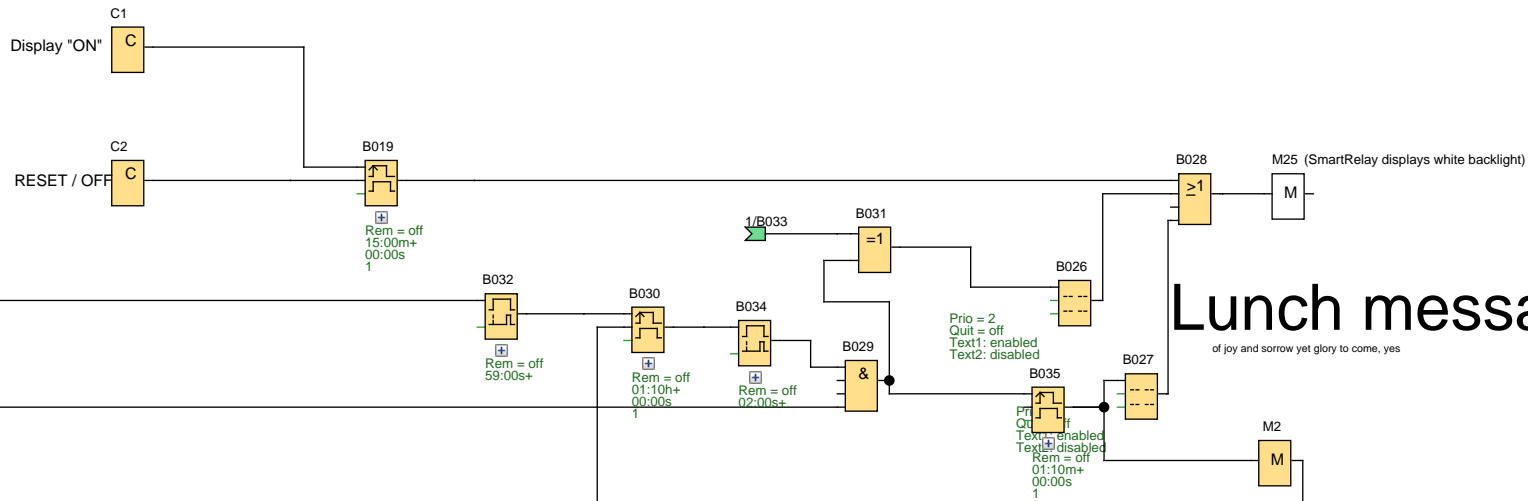


Creator:	Muniz/jbl	Denver Fire Dept.	Project:		Customer:	DFD Lineshop
Checked:	5-4-22		Installation:	Drop - Doorbell	Diagram No.:	
Date:	9/14/21 8:44 AM/6/10/22 9:31 AM		File:	Lineshop drop doorbell 5-4-22.lsc	Page:	5 / 10

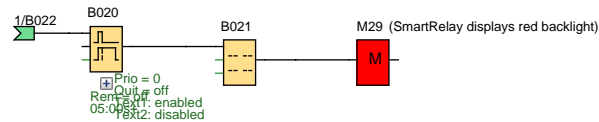
Messages and screen colors

This is to light up display on Smart relay when it is too dark to see the display.

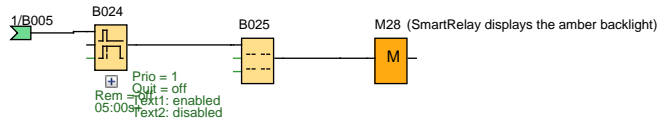
So push < arrow to get to the cursor screen, push top button and ESC button at THE SAME TIME. and screen should brighten up with white light for 15 minutes. Push > to get back to menu items.



Vocalarm message



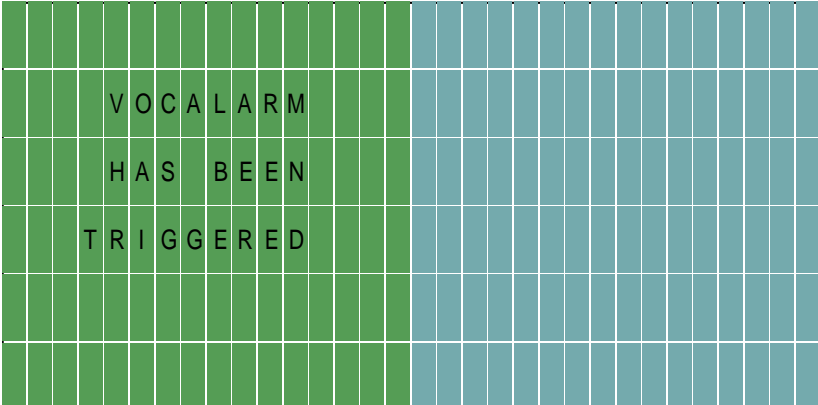
Front doorbell message



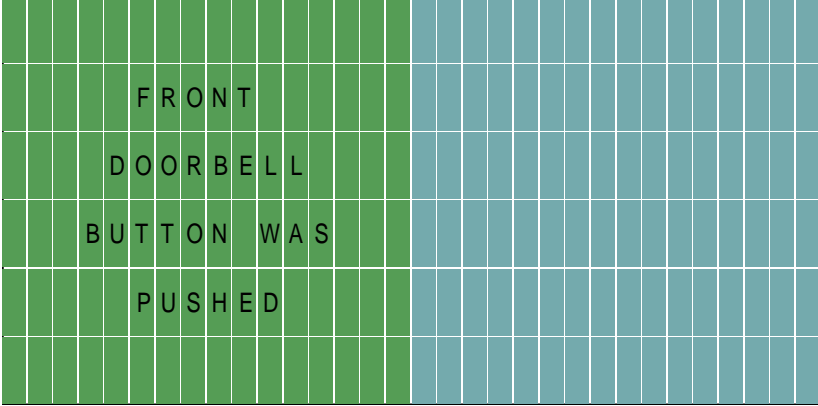
Creator:	Muniz/jbl	Denver Fire Dept.	Project:		Customer:	DFD Lineshop
Checked:	5-4-22		Installation:	Drop - Doorbell	Diagram No.:	
Date:	9/14/21 8:44 AM/6/10/22 9:31 AM		File:	Lineshop drop doorbell 5-4-22.lsc	Page:	6 / 10

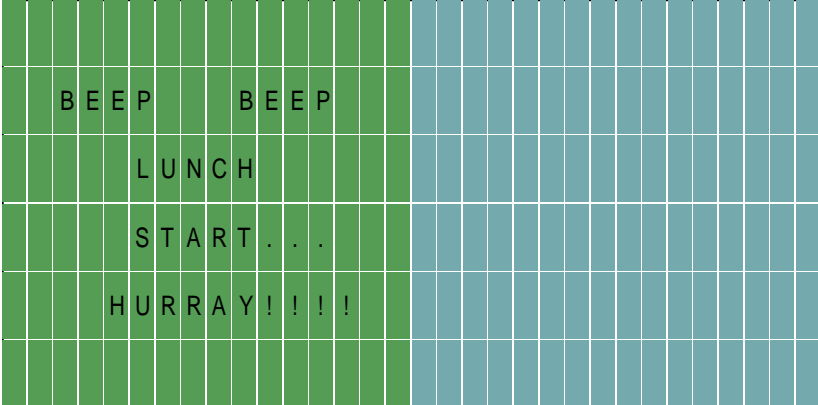
Block Number (Type)	Parameter
B001(On-delay) :	Rem = off 12:00s+
B002(Asynchronous pulse generator) :	Rem = off 01:52s+ 01:25s
B003(Off-delay) :	Rem = off 05:00s+
B005(Edge-triggered interval time-delay relay) :	Rem = off 03:00s+ 00:00s 1
B006(Asynchronous pulse generator) : Buzzer Pulser	Rem = off 00:40s+ 00:40s
B007(Edge-triggered interval time-delay relay) :	Rem = off 05:00s+ 00:00s 1
B008 vaenbcount(Up/Down counter) : VA enable count	Rem = on On=0+ Off=0 Start=0
B009 drbtncount(Up/Down counter) : Doorbell button count	Rem = on On=0+ Off=0 Start=0
B010(Edge-triggered interval time-delay relay) :	Rem = off 01:00s+ 00:00s 1
B011(Edge-triggered interval time-delay relay) :	Rem = off 02:00s+ 00:00s 1
B013(Asynchronous pulse generator) :	Rem = off 00:13s+ 00:13s
B015 Lunch(Seven-day time switch) :	+ MTWTF-- 11:30h 11:31h MTWTF-- 12:30h 12:31h ----- --:-- --:-- Pulse=N
B016(Edge-triggered interval time-delay relay) :	Rem = off 00:40s+ 00:00s 1
B017(Edge-triggered interval time-delay relay) :	Rem = off 00:35s+ 00:00s 1
B018(Up/Down counter) : Buzzer count	Rem = on On=0+ Off=0 Start=0
B019(Edge-triggered interval time-delay relay) :	Rem = off 15:00m+ 00:00s 1
B020(Off-delay) :	Rem = off 05:00s+

Creator:	Muniz/jbl	Project:		Customer:	DFD Lineshop
Checked:	5-4-22	Installation:	Drop - Doorbell	Diagram No.:	
Date:	9/14/21 8:44 AM/6/10/22 9:31 AM	File:	Lineshop drop doorbell 5-4-22.lsc	Page:	7 / 10

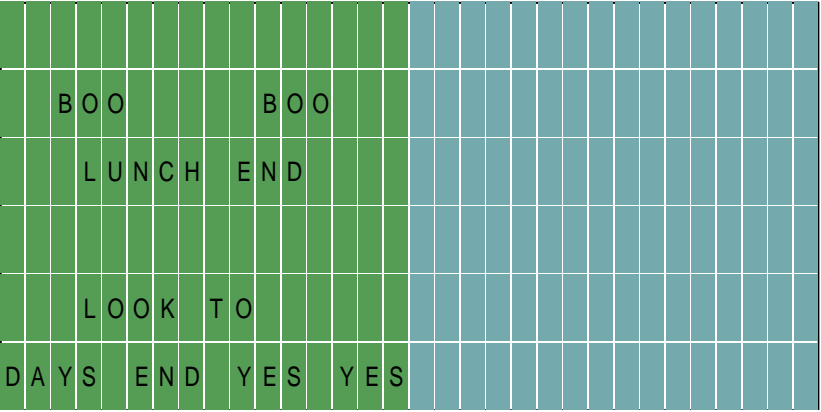
Block Number (Type)	Parameter
<p>B021(Message texts) :</p> 	<p>Prio = 0 Quit = off Text1: enabled Text2: disabled</p> <p>Ticker setting - CBC - Line1: N - Line2: N - Line3: N - Line4: N - Line5: N - Line6: N Message Destination - Both</p>

B024(Off-delay) :	Rem = off 05:00s+
-------------------	----------------------

<p>B025(Message texts) :</p> 	<p>Prio = 1 Quit = off Text1: enabled Text2: disabled</p> <p>Ticker setting - CBC - Line1: N - Line2: N - Line3: N - Line4: N - Line5: N - Line6: N Message Destination - Both</p>
---	--

<p>B026(Message texts) :</p> 	<p>Prio = 2 Quit = off Text1: enabled Text2: disabled</p> <p>Ticker setting - CBC - Line1: N - Line2: N - Line3: N - Line4: N - Line5: N - Line6: N Message Destination - Both</p>
--	--

Creator:	Muniz/jbl	Denver Fire Dept.	Project:		Customer:	DFD Lineshop
Checked:	5-4-22		Installation:	Drop - Doorbell	Diagram No.:	
Date:	9/14/21 8:44 AM/6/10/22 9:31 AM		File:	Lineshop drop doorbell 5-4-22.lsc	Page:	8 / 10

Block Number (Type)	Parameter
B027(Message texts) : 	Prio = 3 Quit = off Text1: enabled Text2: disabled Ticker setting - CBC - Line1: N - Line2: N - Line3: N - Line4: N - Line5: N - Line6: N Message Destination - Both
B030(Edge-triggered interval time-delay relay) :	Rem = off 01:10h+ 00:00s 1
B032(On-delay) :	Rem = off 59:00s+
B034(On-delay) :	Rem = off 02:00s+
B035(Edge-triggered interval time-delay relay) :	Rem = off 01:10m+ 00:00s 1
I1(Input) : I1-VA enable Lineshop	
I2(Input) : I2-Front Doorbell button	
Q1(Output) : Q1-Red Drop Lights	
Q2(Output) : Q2-Buzzers	

Connection	Label
C1	
C2	
C3	
C4	
I1	
I2	
I3	
M1	
M2	
M25	SmartRelay displays white backlight
M28	SmartRelay displays the amber backlight
M29	SmartRelay displays red backlight
Q1	
Q2	