

**Comment**

corrected for counter bounce,  
ckd for retention on counters  
10-17-19 dwnlded w/ all new counters  
4-28-22 counters read drblcntr 1865, trremcnt 18474, flshrcn 22551, tr pb cn 1091, ms stp c 96, Mstr ctr 1383, Jing cnt 21137,  
city IP installed, new Smart relay, all counts to zero, type FS=04 verified, online tests good

Creator:	JBL	DFD lineshop	Project:		Customer:	Denver Fire Dept
Checked:	4-28-22		Installation:	Station 12 VA, MS, JING, TR	Diagram No.:	
Date:	3/6/14 3:31 PM/6/10/22 8:53 AM		File:	Sta 12 va, ms 4-28-22.lsc	Page:	1 / 19

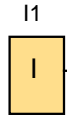
## Module Address

IP Address 10.126.164.214  
Subnet Mask: 255.255.255.240  
Default gateway 10.126.164.209

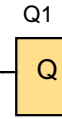
Creator:	JBL		Project:		Customer:	Denver Fire Dept
Checked:	4-28-22	DFD lineshop	Installation:	Station 12 VA, MS, JING, TR	Diagram No.:	
Date:	3/6/14 3:31 PM/6/10/22 8:53 AM		File:	Sta 12 va, ms 4-28-22.lsc	Page:	2 / 19

# STATION 12 VA, MS 4-28-22 type FS-04 verified

## I1-VA key



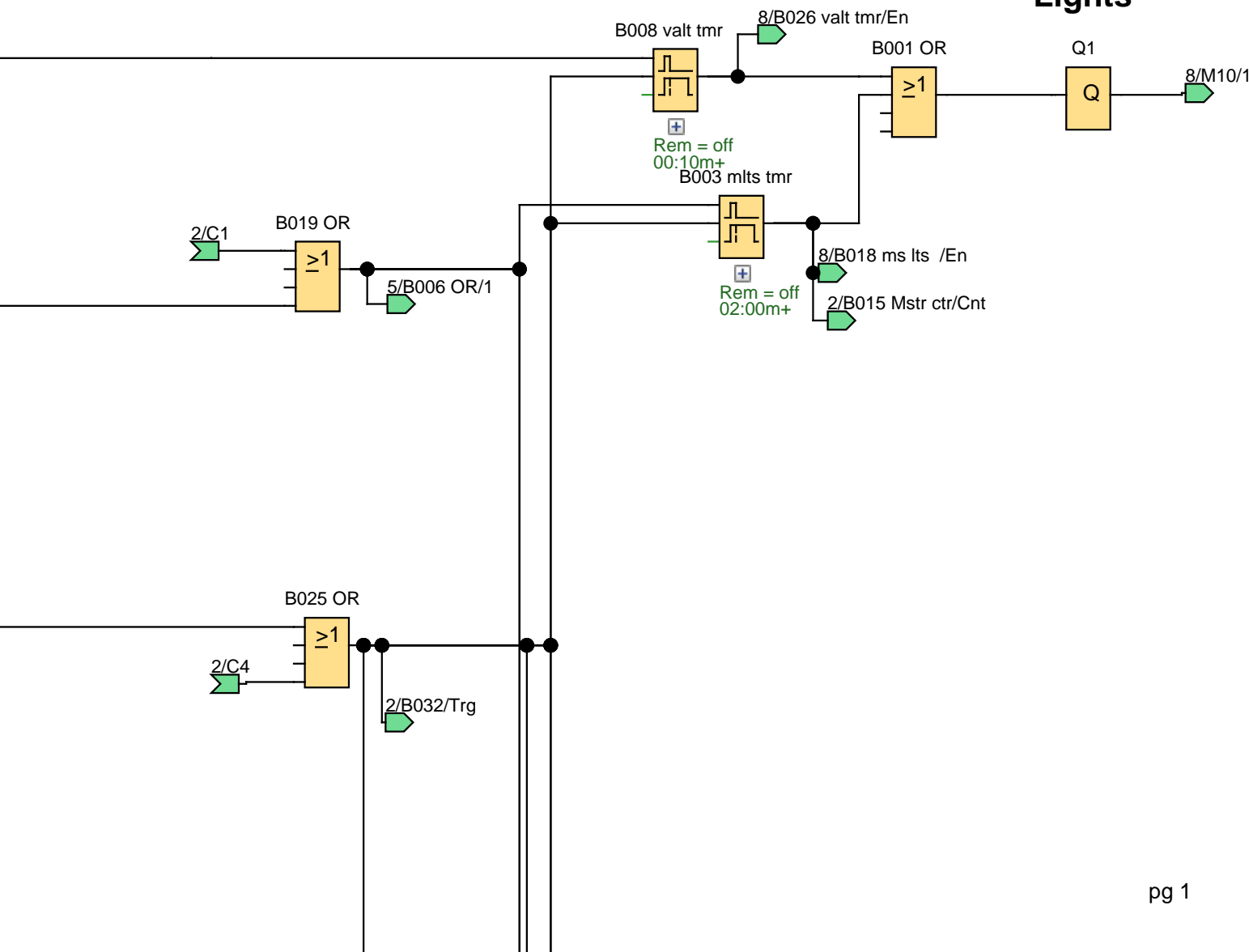
## Q1-Drop Lights



## I2-Machine Start pshbtn



## I3-Machine Stop pshbtn



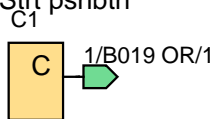
Creator:	JBL	Project:		Customer:	Denver Fire Dept
Checked:	4-28-22	Installation:	Station 12 VA, MS, JING, TR	Diagram No.:	
Date:	3/6/14 3:31 PM/6/10/22 8:53 AM	File:	Sta 12 va, ms 4-28-22.lsc	Page:	3 / 19
	DFD lineshop				

# STATION 12

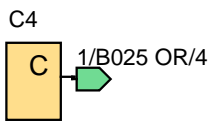
# COUNTING SECTION

## CURSOR SECTION

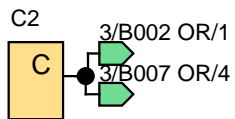
Mach Strt pshbtn



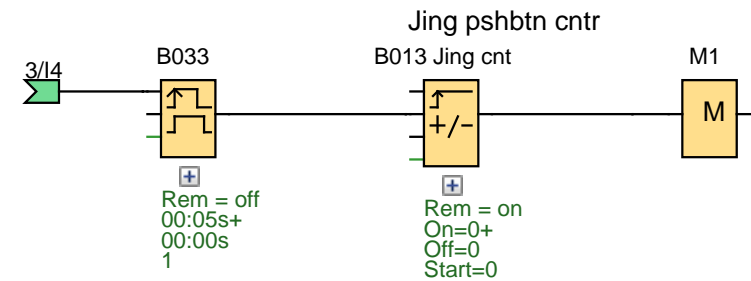
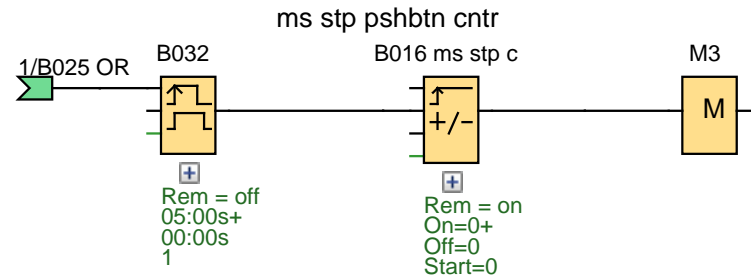
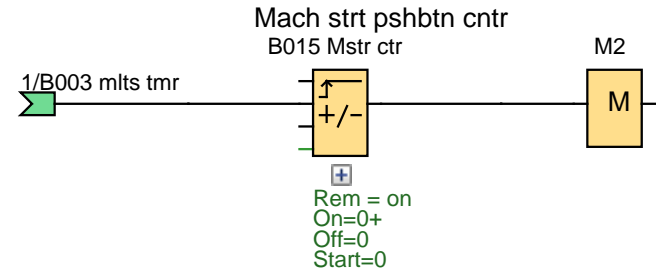
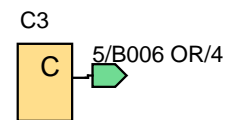
Mach stop pshbtn



Jingler pshbtn



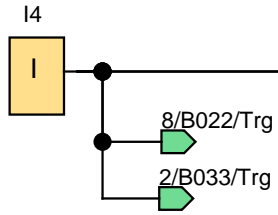
Traffic pshbtn



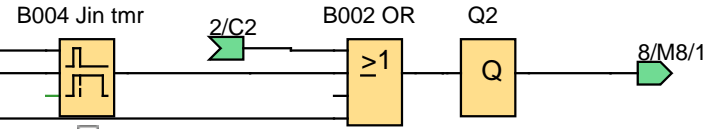
Creator:	JBL	DFD lineshop	Project:		Customer:	Denver Fire Dept
Checked:	4-28-22		Installation:	Station 12 VA, MS, JING, TR	Diagram No.:	
Date:	3/6/14 3:31 PM/6/10/22 8:53 AM		File:	Sta 12 va, ms 4-28-22.lsc	Page:	4 / 19

# STATION 12

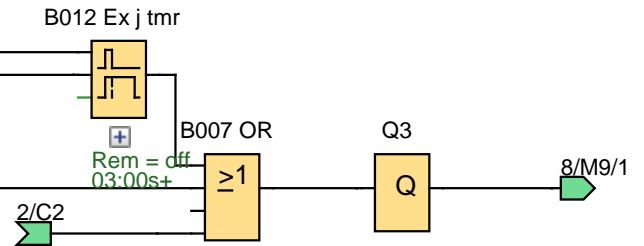
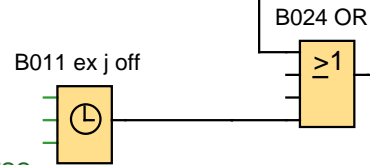
## I4-Jingler pshbtn



## Q2-Jinglers



+  
MTWTFSS  
20:00h  
08:00h  
-----  
-----  
-----  
-----  
-----  
-----  
Pulse=N

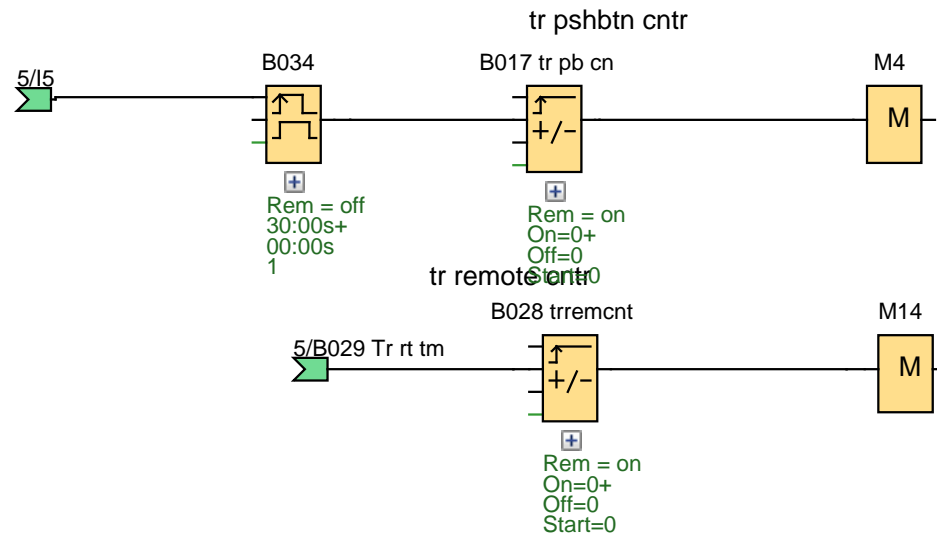


## Q3-Outside Jinglers

Creator:	JBL	Project:		Customer:	Denver Fire Dept
Checked:	4-28-22	Installation:	Station 12 VA, MS, JING, TR	Diagram No.:	
Date:	3/6/14 3:31 PM/6/10/22 8:53 AM	DFD lineshop	File:	Sta 12 va, ms 4-28-22.lsc	Page:
					5 / 19

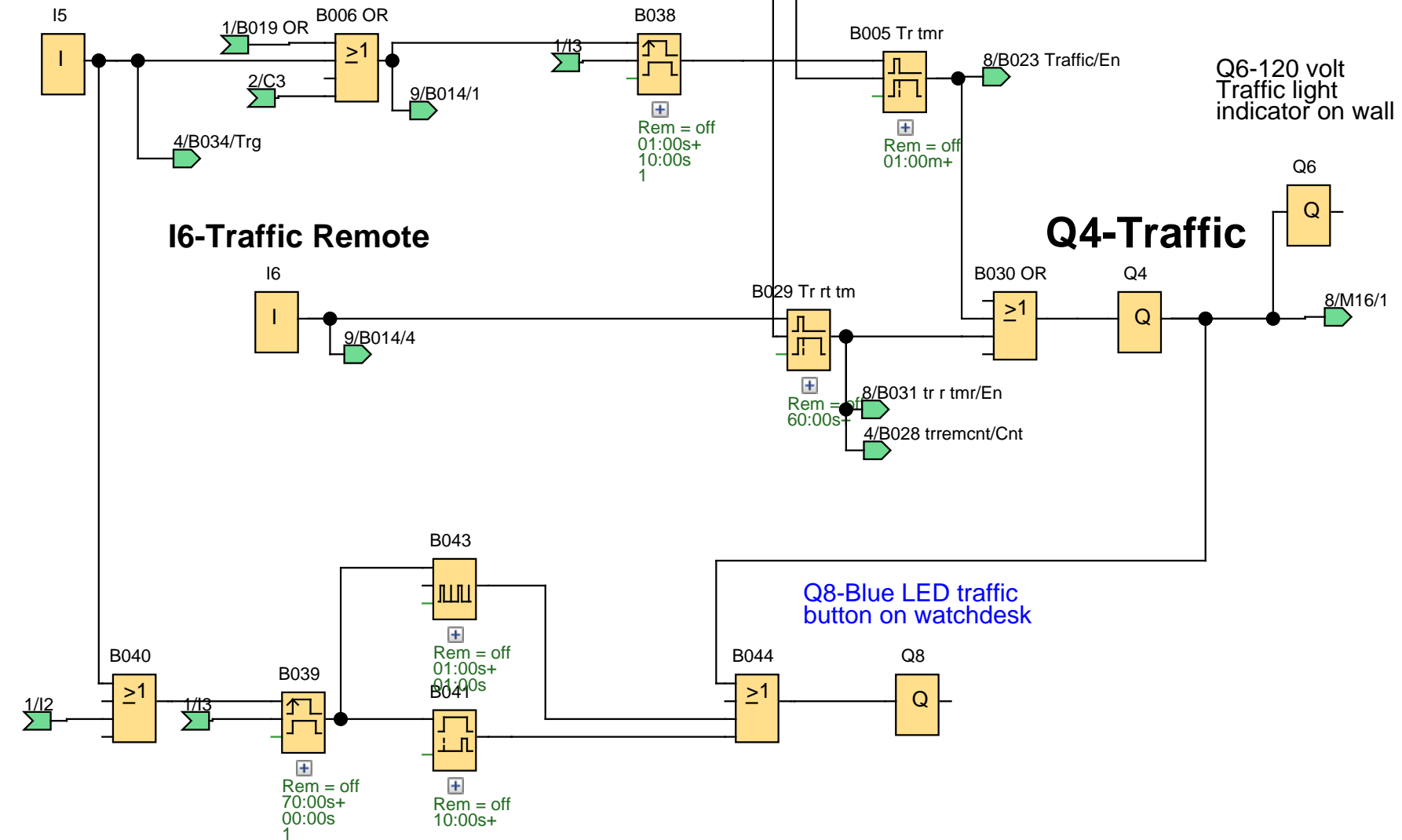
# STATION 12

## COUNTING SECTION



Creator:	JBL	Project:		Customer:	Denver Fire Dept
Checked:	4-28-22	Installation:	Station 12 VA, MS, JING, TR	Diagram No.:	
Date:	3/6/14 3:31 PM/6/10/22 8:53 AM	File:	Sta 12 va, ms 4-28-22.lsc	Page:	6 / 19

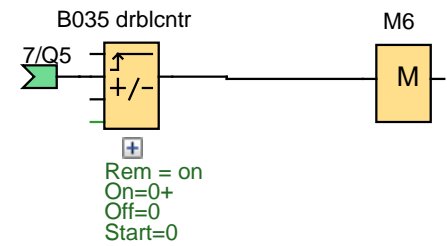
### I5-Traffic pshbtn



Creator:	JBL	DFD lineshop	Project:		Customer:	Denver Fire Dept
Checked:	4-28-22		Installation:	Station 12 VA, MS, JING, TR	Diagram No.:	
Date:	3/6/14 3:31 PM/6/10/22 8:53 AM		File:	Sta 12 va, ms 4-28-22.lsc	Page:	7 / 19

# STATION 12

## COUNTING SECTION



Creator:	JBL	Project:		Customer:	Denver Fire Dept
Checked:	4-28-22	Installation:	Station 12 VA, MS, JING, TR	Diagram No.:	
Date:	3/6/14 3:31 PM/6/10/22 8:53 AM	File:	Sta 12 va, ms 4-28-22.lsc	Page:	8 / 19

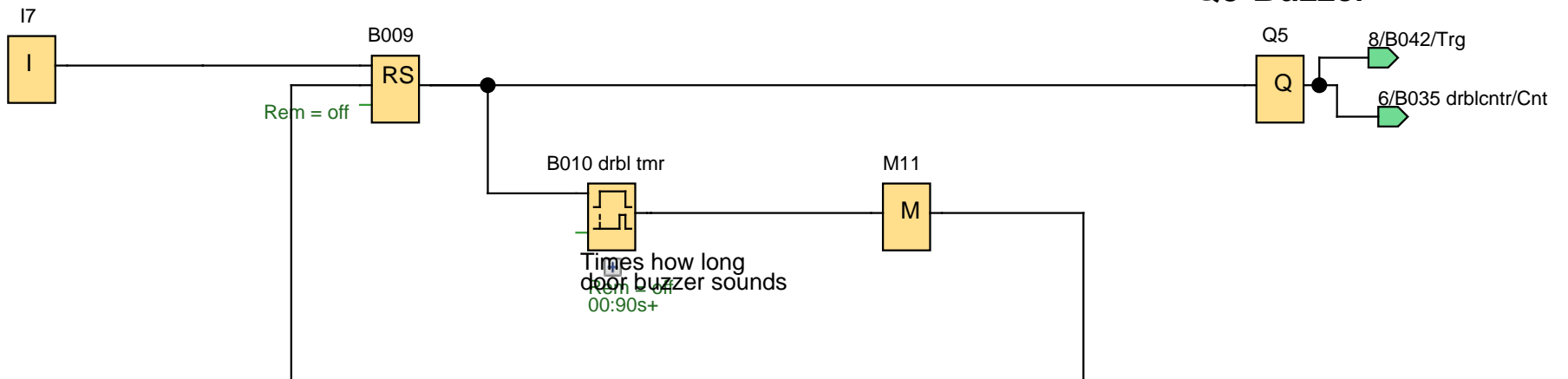


# STATION 12

## Isolated Doorbell section using same 24 volt ac as the Smart

**I7-Front  
doorbell button**

**Q5-Buzzer**

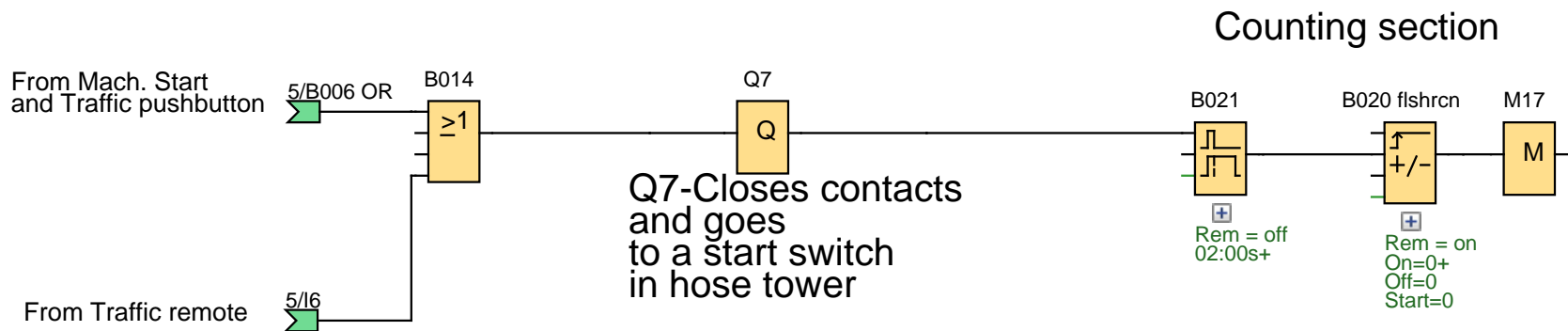


Creator:	JBL	Project:		Customer:	Denver Fire Dept
Checked:	4-28-22	Installation:	Station 12 VA, MS, JING, TR	Diagram No.:	
Date:	3/6/14 3:31 PM/6/10/22 8:53 AM	File:	Sta 12 va, ms 4-28-22.lsc	Page:	9 / 19
	DFD lineshop				



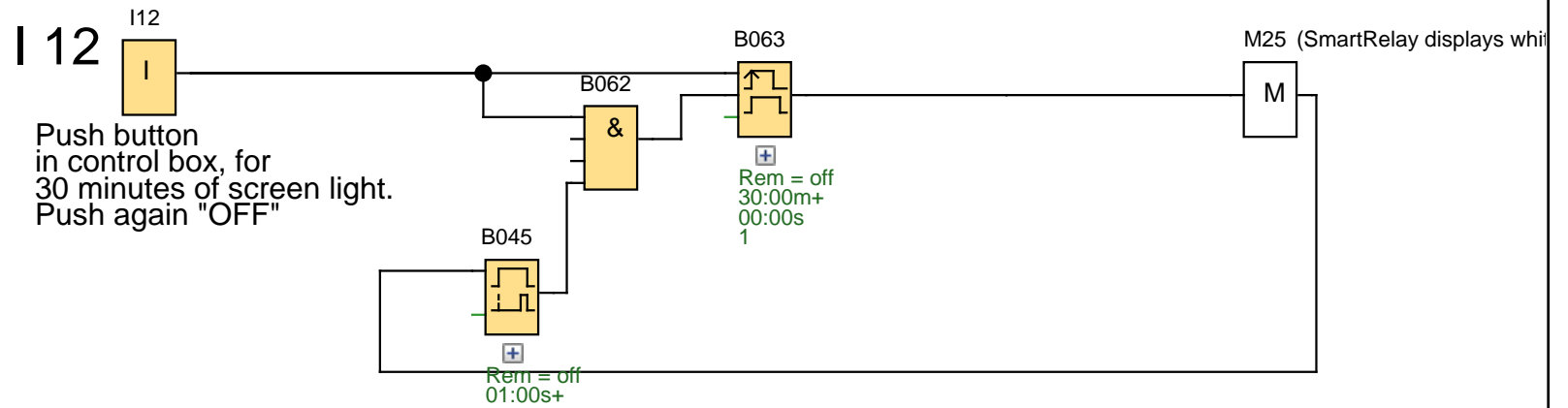
# STATION 12

## Isolated Sidewalk Red flasher / buzzer- goes to start switch in hose tower which on output Q7 is different 24 v ac

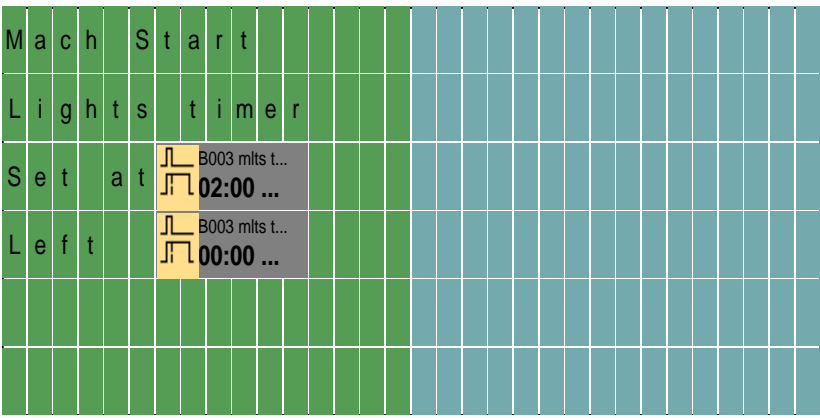


Creator:	JBL	DFD lineshop	Project:		Customer:	Denver Fire Dept
Checked:	4-28-22		Installation:	Station 12 VA, MS, JING, TR	Diagram No.:	
Date:	3/6/14 3:31 PM/6/10/22 8:53 AM		File:	Sta 12 va, ms 4-28-22.lsc	Page:	11 / 19

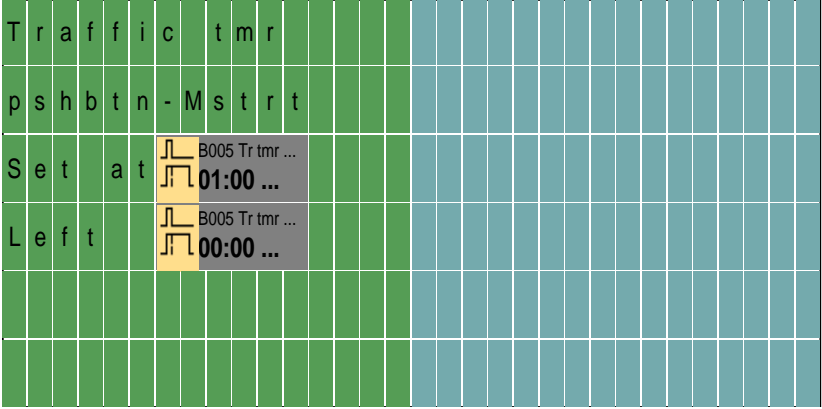
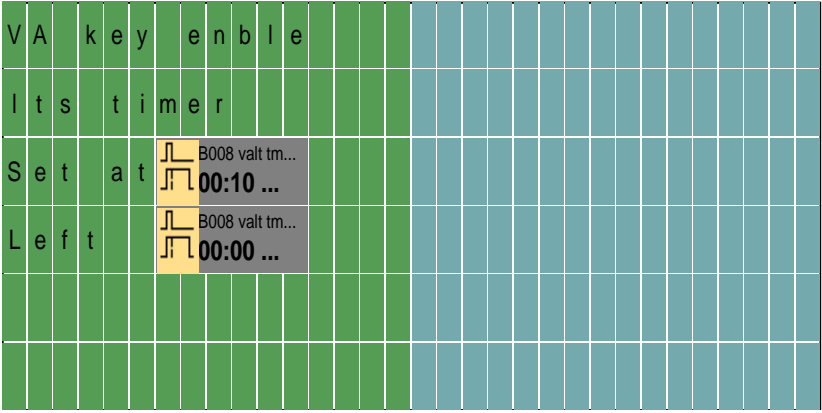
# Screen brightener

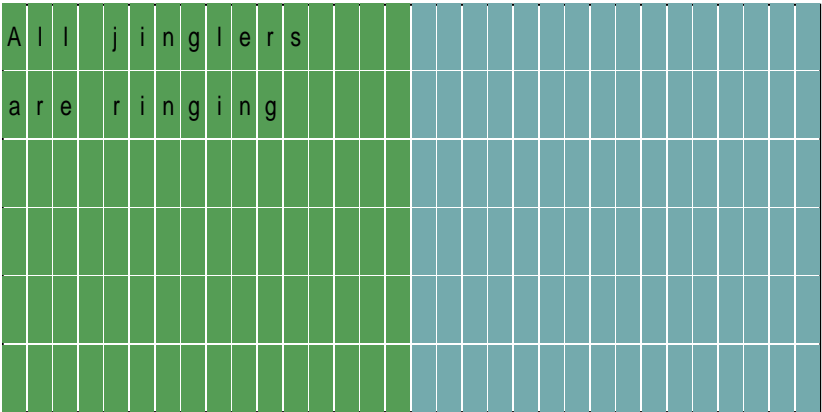
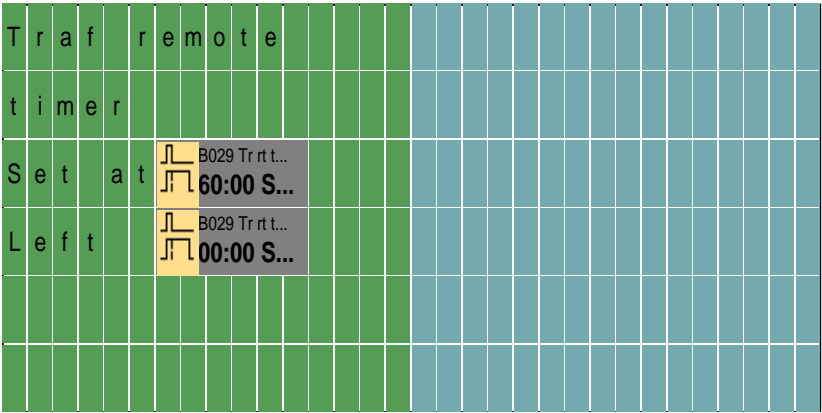


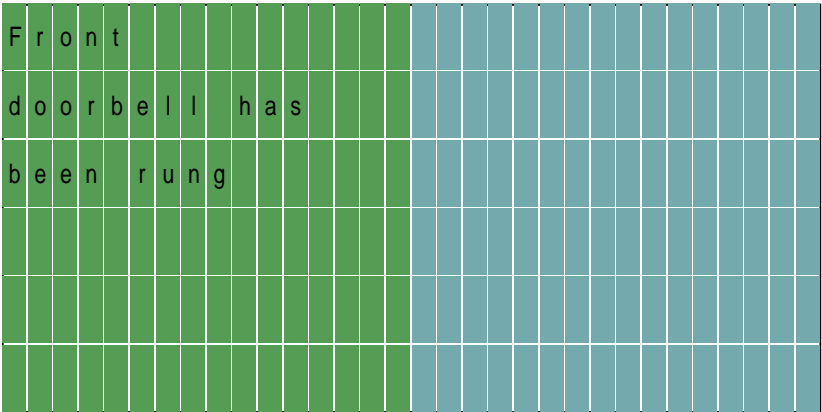
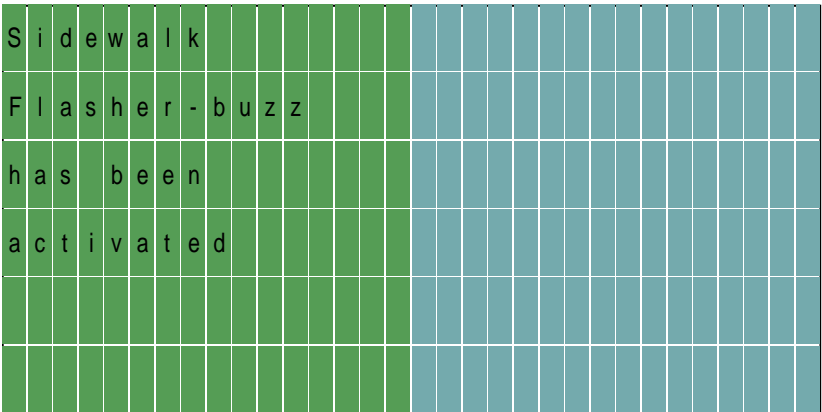
Creator:	JBL	Project:		Customer:	Denver Fire Dept
Checked:	4-28-22	Installation:	Station 12 VA, MS, JING, TR	Diagram No.:	
Date:	3/6/14 3:31 PM/6/10/22 8:53 AM	File:	Sta 12 va, ms 4-28-22.lsc	Page:	12 / 19
	DFD lineshop				

Block Number (Type)	Parameter
B003 mlts tmr(Off-delay) :	Rem = off 02:00m+
B004 Jin tmr(Off-delay) :	Rem = off 03:00s+
B005 Tr tmr (Off-delay) :	Rem = off 01:00m+
B008 valt tmr(Off-delay) :	Rem = off 00:10m+
B009(Latching relay) :	Rem = off
B010 drbl tmr(On-delay) : Times how long door buzzer sounds	Rem = off 00:90s+
B011 ex j off(Seven-day time switch) :	+ MTWTFSS 20:00h 08:00h ----- --:- --:- ----- --:- --:- ----- Pulse=N
B012 Ex j tmr(Off-delay) :	Rem = off 03:00s+
B013 Jing cnt(Up/Down counter) : Jing pshbtn cntr	Rem = on On=0+ Off=0 Start=0
B015 Mstr ctr(Up/Down counter) : Mach strt pshbtn cntr	Rem = on On=0+ Off=0 Start=0
B016 ms stp c(Up/Down counter) : ms stp pshbtn cntr	Rem = on On=0+ Off=0 Start=0
B017 tr pb cn(Up/Down counter) : tr pshbtn cntr	Rem = on On=0+ Off=0 Start=0
B018 ms lts (Message texts) :	Prio = 3 Quit = off Text1: enabled Text2: disabled Ticker setting - CBC - Line1: N - Line2: N - Line3: N - Line4: N - Line5: N - Line6: N Message Destination - Both
 <p>Line3.7 B003 mlts tmr-T Line4.7 B003 mlts tmr-TRest</p>	

Creator:	JBL	DFD lineshop	Project:		Customer:	Denver Fire Dept
Checked:	4-28-22		Installation:	Station 12 VA, MS, JING, TR	Diagram No.:	
Date:	3/6/14 3:31 PM/6/10/22 8:53 AM		File:	Sta 12 va, ms 4-28-22.lsc	Page:	13 / 19

Block Number (Type)	Parameter					
B020 fishrcn (Up/Down counter) :	Rem = on On=0+ Off=0 Start=0					
B021(Off-delay) :	Rem = off 02:00s+					
B022(Off-delay) :	Rem = off 02:00s+					
<p>B023 Traffic(Message texts) :</p>  <p>Line3.7 B005 Tr tmr -T Line4.7 B005 Tr tmr -TRest</p>	<p>Prio = 4 Quit = off Text1: enabled Text2: disabled</p> <p>--&gt; Ticker setting - CBC - Line1: N - Line2: N - Line3: N - Line4: N - Line5: N - Line6: N Message Destination - Both</p>					
<p>B026 valt tmr(Message texts) :</p>  <p>Line3.7 B008 valt tmr-T Line4.7 B008 valt tmr-TRest</p>	<p>Prio = 6 Quit = off Text1: enabled Text2: disabled</p> <p>--&gt; Ticker setting - CBC - Line1: N - Line2: N - Line3: N - Line4: N - Line5: N - Line6: N Message Destination - Both</p>					
Creator:	JBL	DFD lineshop	Project:		Customer:	Denver Fire Dept
Checked:	4-28-22		Installation:	Station 12 VA, MS, JING, TR	Diagram No.:	
Date:	3/6/14 3:31 PM/6/10/22 8:53 AM		File:	Sta 12 va, ms 4-28-22.lsc	Page:	14 / 19

Block Number (Type)	Parameter					
<p>B027 Jing mes(Message texts) :</p> 	<p>Prio = 0 Quit = off Text1: enabled Text2: disabled</p> <p>--&gt; Ticker setting - CBC - Line1: N - Line2: N - Line3: N - Line4: N - Line5: N - Line6: N Message Destination - Both</p>					
<p>B028 trremcnt(Up/Down counter) : tr remote cntr</p>	<p>Rem = on On=0+ Off=0 Start=0</p>					
<p>B029 Tr rt tm(Off-delay) :</p>	<p>Rem = off 60:00s+</p>					
<p>B031 tr r tmr(Message texts) :</p>  <p>Line3.7 B029 Tr rt tm-T Line4.7 B029 Tr rt tm-TRest</p>	<p>Prio = 1 Quit = off Text1: enabled Text2: disabled</p> <p>--&gt; Ticker setting - CBC - Line1: N - Line2: N - Line3: N - Line4: N - Line5: N - Line6: N Message Destination - Both</p>					
<p>B032(Edge-triggered interval time-delay relay) :</p>	<p>Rem = off 05:00s+ 00:00s 1</p>					
<p>B033(Edge-triggered interval time-delay relay) :</p>	<p>Rem = off 00:05s+ 00:00s 1</p>					
<p>B034(Edge-triggered interval time-delay relay) :</p>	<p>Rem = off 30:00s+ 00:00s 1</p>					
<p>B035 drblcntr(Up/Down counter) :</p>	<p>Rem = on On=0+ Off=0 Start=0</p>					
<p>Creator:</p>	<p>JBL</p>	<p>DFD lineshop</p>	<p>Project:</p>	<p>Station 12 VA, MS, JING, TR</p>	<p>Customer:</p>	<p>Denver Fire Dept</p>
<p>Checked:</p>	<p>4-28-22</p>	<p>DFD lineshop</p>	<p>Installation:</p>	<p>Station 12 VA, MS, JING, TR</p>	<p>Diagram No.:</p>	<p></p>
<p>Date:</p>	<p>3/6/14 3:31 PM/6/10/22 8:53 AM</p>	<p>DFD lineshop</p>	<p>File:</p>	<p>Sta 12 va, ms 4-28-22.lsc</p>	<p>Page:</p>	<p>15 / 19</p>

Block Number (Type)	Parameter
<p>B036 drbell (Message texts) :</p> 	<p>Prio = 2  Quit = off  Text1: enabled  Text2: disabled</p> <p>--&gt; Ticker setting  - CBC  - Line1: N  - Line2: N  - Line3: N  - Line4: N  - Line5: N  - Line6: N  Message Destination  - Both</p>
<p>B037 Sidewalk(Message texts) :</p> 	<p>Prio = 5  Quit = off  Text1: enabled  Text2: disabled</p> <p>--&gt; Ticker setting  - CBC  - Line1: N  - Line2: N  - Line3: N  - Line4: N  - Line5: N  - Line6: N  Message Destination  - Both</p>
<p>B038(Edge-triggered interval time-delay relay) :</p>	<p>Rem = off  01:00s+  10:00s  1</p>
<p>B039(Edge-triggered interval time-delay relay) :</p>	<p>Rem = off  70:00s+  00:00s  1</p>
<p>B041(On-delay) :</p>	<p>Rem = off  10:00s+</p>
<p>B042(Edge-triggered interval time-delay relay) :</p>	<p>Rem = off  05:00s+  00:00s  1</p>
<p>B043(Asynchronous pulse generator) :</p>	<p>Rem = off  01:00s+  01:00s</p>
<p>B045(On-delay) :</p>	<p>Rem = off  01:00s+</p>
<p>B063(Edge-triggered interval time-delay relay) :</p>	<p>Rem = off  30:00m+  00:00s  1</p>

Creator:	JBL	DFD lineshop	Project:		Customer:	Denver Fire Dept
Checked:	4-28-22		Installation:	Station 12 VA, MS, JING, TR	Diagram No.:	
Date:	3/6/14 3:31 PM/6/10/22 8:53 AM		File:	Sta 12 va, ms 4-28-22.lsc	Page:	16 / 19



Block Number (Type)	Parameter					
C1 (Cursor key) : Mach Strt pshbtn						
C2 (Cursor key) : Jingler pshbtn						
C3 (Cursor key) : Traffic pshbtn						
C4 (Cursor key) : Mach stop pshbtn						
I1(Input) : I1-VA key						
I2(Input) : I2-Machine Start pshbtn						
I3(Input) : I3-Machine Stop pshbtn						
I4(Input) : I4-Jingler pshbtn						
I5(Input) : I5-Traffic pshbtn						
I6(Input) : I6-Traffic Remote						
I7(Input) : I7-Front doorbell button						
I12(Input) : I12						
Q1(Output) : Q1-Drop Lights						
Q2(Output) : Q2-Jinglers						
Q3(Output) : Q3-Outside Jinglers						
Q4(Output) : Q4-Traffic						
Q5(Output) : Q5-Buzzer						
Q6(Output) : Q6-120 volt Traffic light indicator on wall						
Q7(Output) : Q7-Closes contacts and goes to a start switch in hose tower						
Q8(Output) : Q8-Blue LED traffic button on watchdesk						
Creator:	JBL	DFD lineshop	Project:		Customer:	Denver Fire Dept
Checked:	4-28-22		Installation:	Station 12 VA, MS, JING, TR	Diagram No.:	
Date:	3/6/14 3:31 PM/6/10/22 8:53 AM		File:	Sta 12 va, ms 4-28-22.lsc	Page:	17 / 19

Connection	Label
C1	
C2	
C3	
C4	
I1	
I2	
I3	
I4	
I5	
I6	
I7	
I12	
M1	
M2	
M3	
M4	
M5	
M6	
M7	
M8	Initialization Flag
M9	
M10	
M11	
M12	
M13	
M14	
M15	

Creator:	JBL	DFD lineshop	Project:		Customer:	Denver Fire Dept
Checked:	4-28-22		Installation:	Station 12 VA, MS, JING, TR	Diagram No.:	
Date:	3/6/14 3:31 PM/6/10/22 8:53 AM		File:	Sta 12 va, ms 4-28-22.lsc	Page:	18 / 19

Connection	Label
M16	
M17	
M18	
M19	
M25	SmartRelay displays white backlight
Q1	
Q2	
Q3	
Q4	
Q5	
Q6	
Q7	
Q8	

Creator:	JBL	DFD lineshop	Project:		Customer:	Denver Fire Dept
Checked:	4-28-22		Installation:	Station 12 VA, MS, JING, TR	Diagram No.:	
Date:	3/6/14 3:31 PM/6/10/22 8:53 AM		File:	Sta 12 va, ms 4-28-22.lsc	Page:	19 / 19