

Comment

8-3-18 jbl combed over loose ends, cosmetic tidy, but no major changes, DID NOT reprgrm smart at this time
8-9-18 few minor touchups
10-7-20 at the station 13 changed the setting of backup light to a slower flash to save relay, reset smart clock in station
4-18-22 counters read exfanhrs 1393h 31m, exfancnt 38540, e dr cnt 34615, w dr cnt 4617,sw tm cn 81, sw on cn 387,
doors mislabeled, all counters reset to zero, city IP address installed, type FS-05 verified
5-2-22 redwnlded remotely w/ red light added, counters read =s drcnt 226, n dr cnt 31, sw tm cn 1, sw on cn 4, exfancnt
253, exfanhrs 9h 53m, remcncnt 434, all counts nreset to zero

Creator:	munizax	DFD Lineshop	Project:	Station 13 doors	Customer:	Denver Fire Department
Checked:	5-2-22		Installation:		Diagram No.:	
Date:	9/20/16 7:47 AM/6/10/22 8:56 AM		File:	Sta 13 Doors 5-2-22.lsc	Page:	1 / 20

Module Address

IP Address 10.126.163.181
Subnet Mask: 255.255.255.240
Default gateway 10.126.163.177

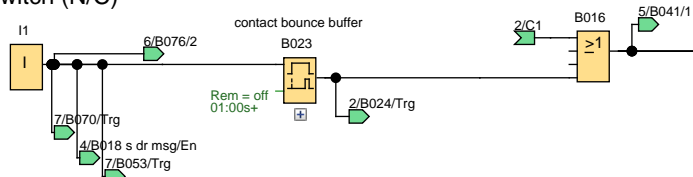
Creator:	munizax	DFD Lineshop	Project:	Station 13 doors	Customer:	Denver Fire Department
Checked:	5-2-22		Installation:		Diagram No.:	
Date:	9/20/16 7:47 AM/6/10/22 8:56 AM		File:	Sta 13 Doors 5-2-22.lsc	Page:	2 / 20

Station 13 doors 5-2-22 type FS-05 verified

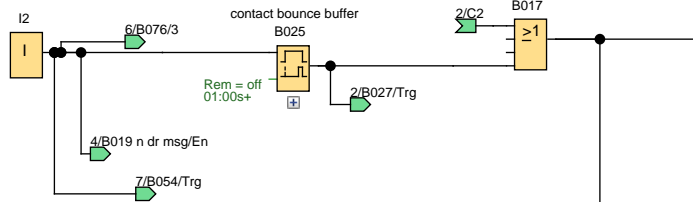
City IP address
 10.126.163.181
 255.255.255.240
 10.126.163.177

Door section, app. bay lts, (they use south door for engine normally)

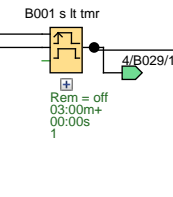
I1-South door
 limit switch (N/C)



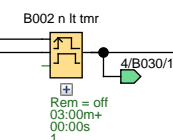
I2-North door
 limit switch (N/C)



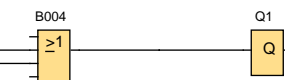
SOUTH DOOR
 LIGHT TIMER



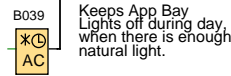
NORTH DOOR
 LIGHT TIMER



Q1-App bay lts



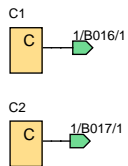
Lot: W104°53'7"+
 Lat: N39°38'59"
 TZ: -7
 Sunrise offset: 20
 Sunset offset: -20



Creator:	munizax	DFD Lineshop	Project:	Station 13 doors	Customer:	Denver Fire Department
Checked:	5-2-22		Installation:		Diagram No.:	
Date:	9/20/16 7:47 AM/6/10/22 8:56 AM		File:	Sta 13 Doors 5-2-22.lsc	Page:	3 / 20

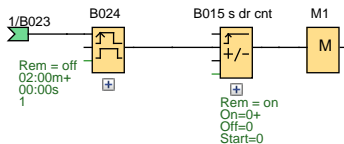
Station 13 doors, rig ex fan

CURSOR BUTTON SECTION

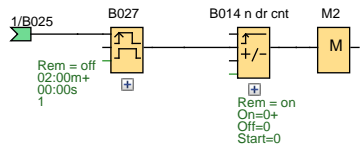


COUNTING SECTION

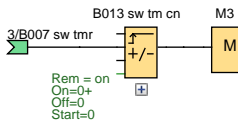
SOUTH door counter



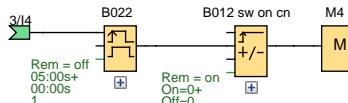
NORTH door counter



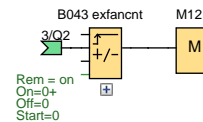
Selector sw timed counter



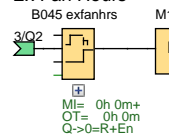
Selector sw ON counter



Ex Fan Count

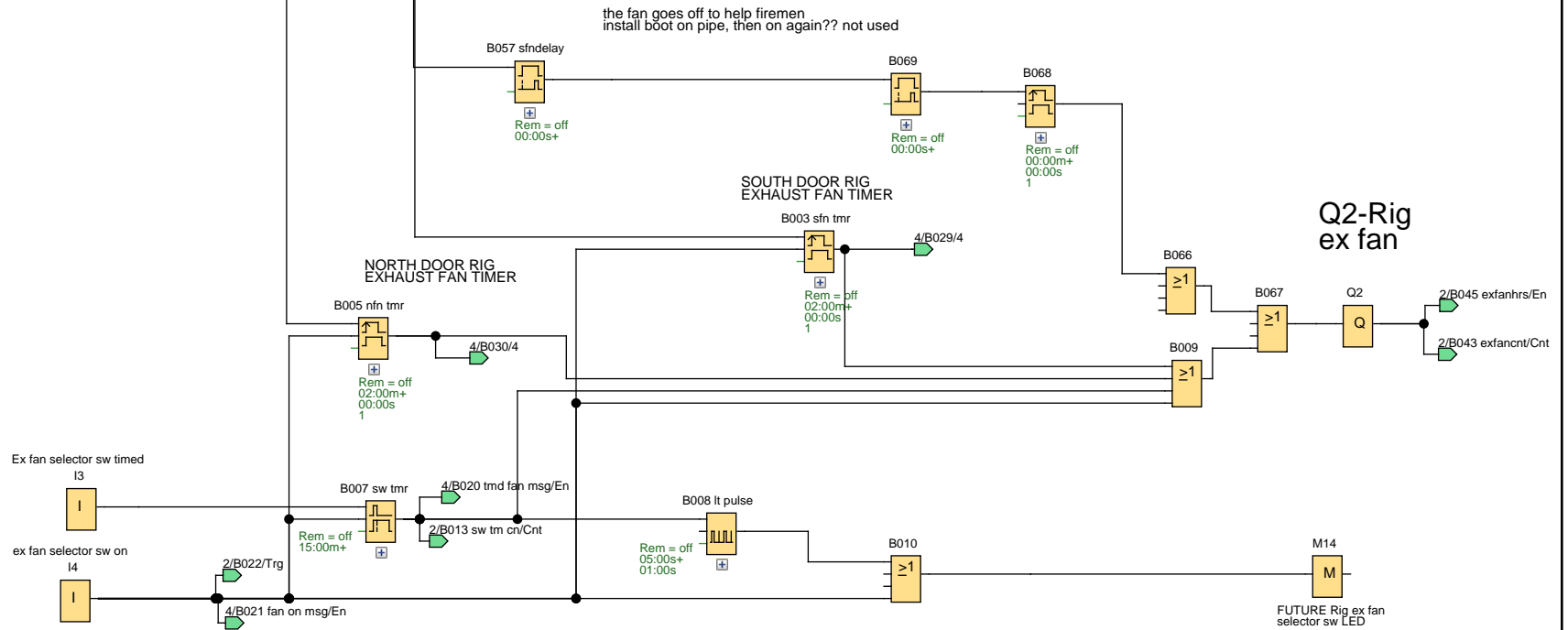


Ex Fan Hours



Creator:	munizax	DFD Lineshop	Project:	Station 13 doors	Customer:	Denver Fire Department
Checked:	5-2-22		Installation:		Diagram No.:	
Date:	9/20/16 7:47 AM/6/10/22 8:56 AM		File:	Sta 13 Doors 5-2-22.lsc	Page:	4 / 20

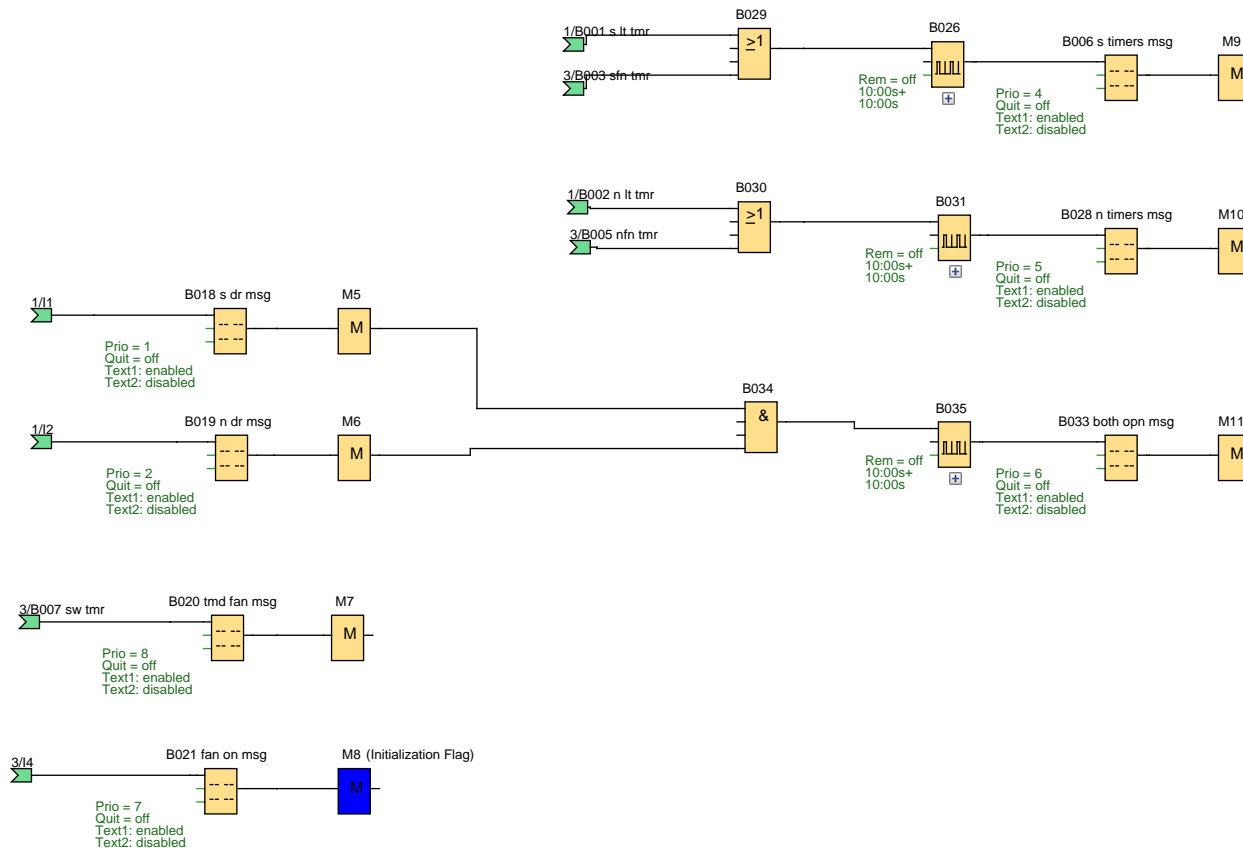
Sta 13 Rig exhaust fan section



Creator:	munizax	DFD Lineshop	Project:	Station 13 doors	Customer:	Denver Fire Department
Checked:	5-2-22		Installation:		Diagram No.:	
Date:	9/20/16 7:47 AM/6/10/22 8:56 AM		File:	Sta 13 Doors 5-2-22.lsc	Page:	5 / 20

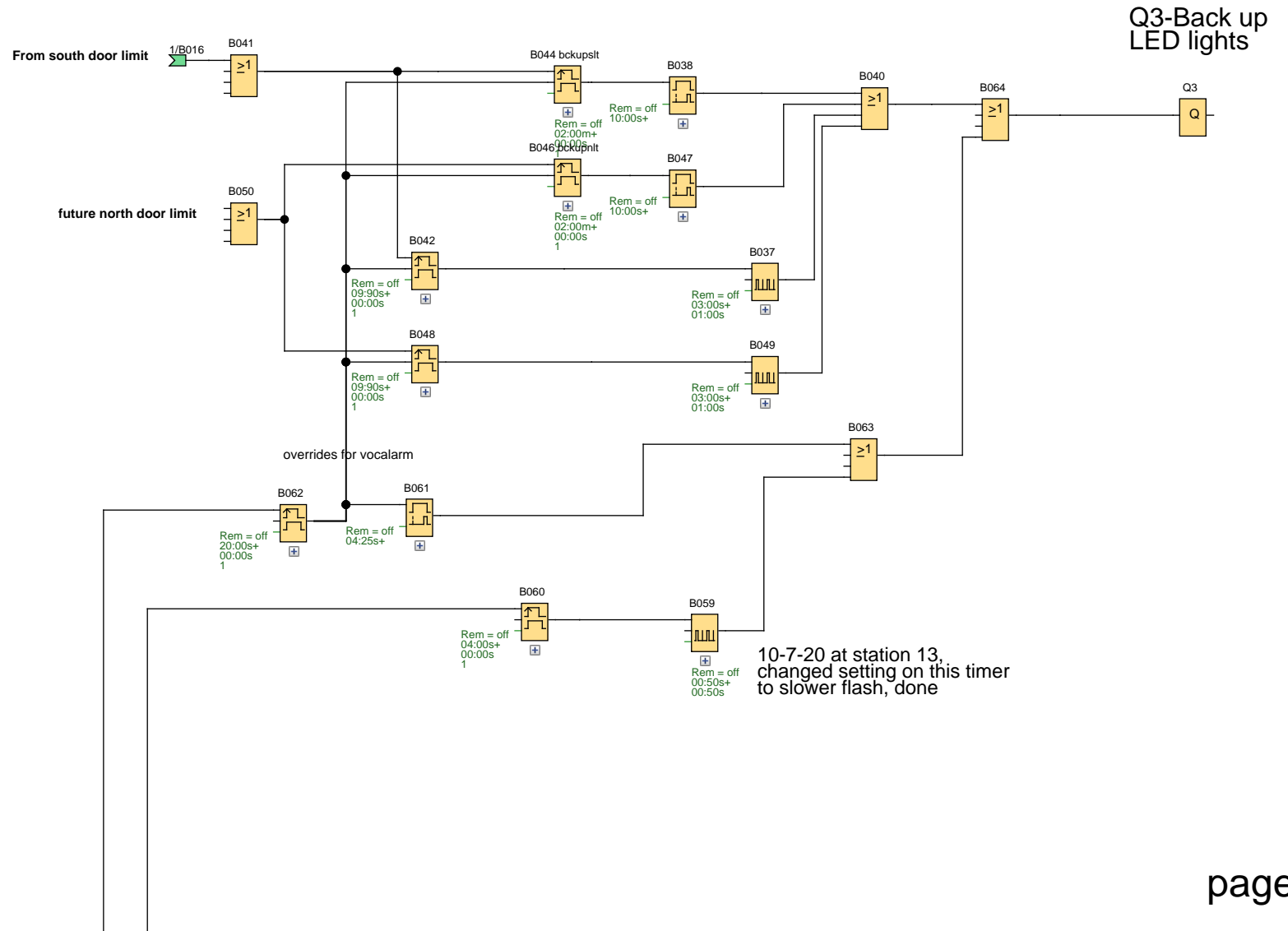
Station 13 doors, rig ex fan

MESSAGE SECTION



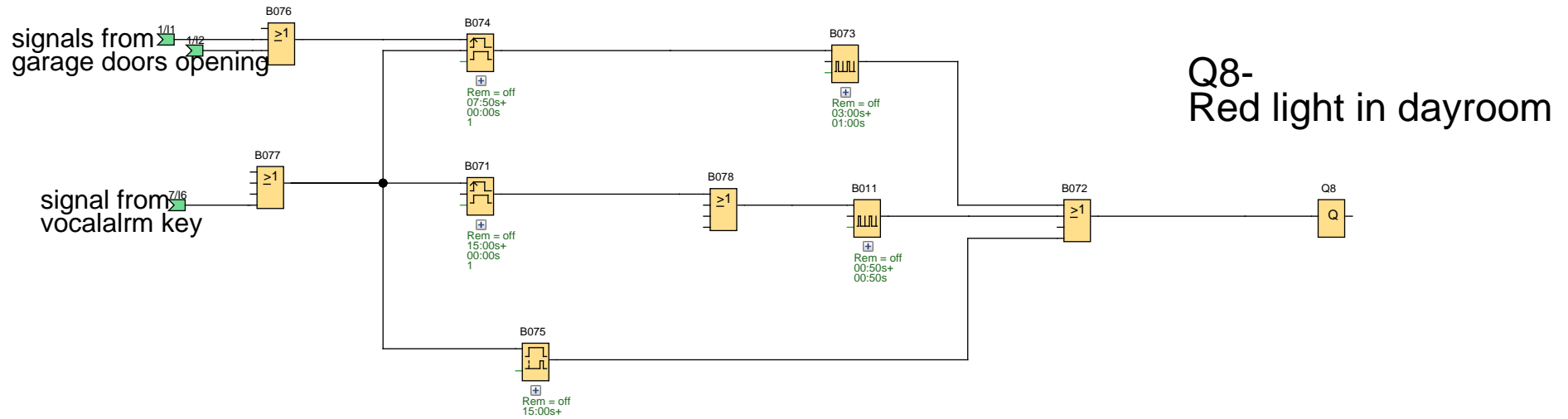
Creator:	munizax	DFD Lineshop	Project:	Station 13 doors	Customer:	Denver Fire Department
Checked:	5-2-22		Installation:		Diagram No.:	
Date:	9/20/16 7:47 AM/6/10/22 8:56 AM		File:	Sta 13 Doors 5-2-22.lsc	Page:	6 / 20

Sta 13 Back up LED light section



Creator:	munizax	DFD Lineshop	Project:	Station 13 doors	Customer:	Denver Fire Department
Checked:	5-2-22		Installation:		Diagram No.:	
Date:	9/20/16 7:47 AM/6/10/22 8:56 AM		File:	Sta 13 Doors 5-2-22.lsc	Page:	7 / 20

Sta 13 == 120 volt Red light in dayroom, primarily signals for when vocalalarm is keyed, and also when garage door is opened.

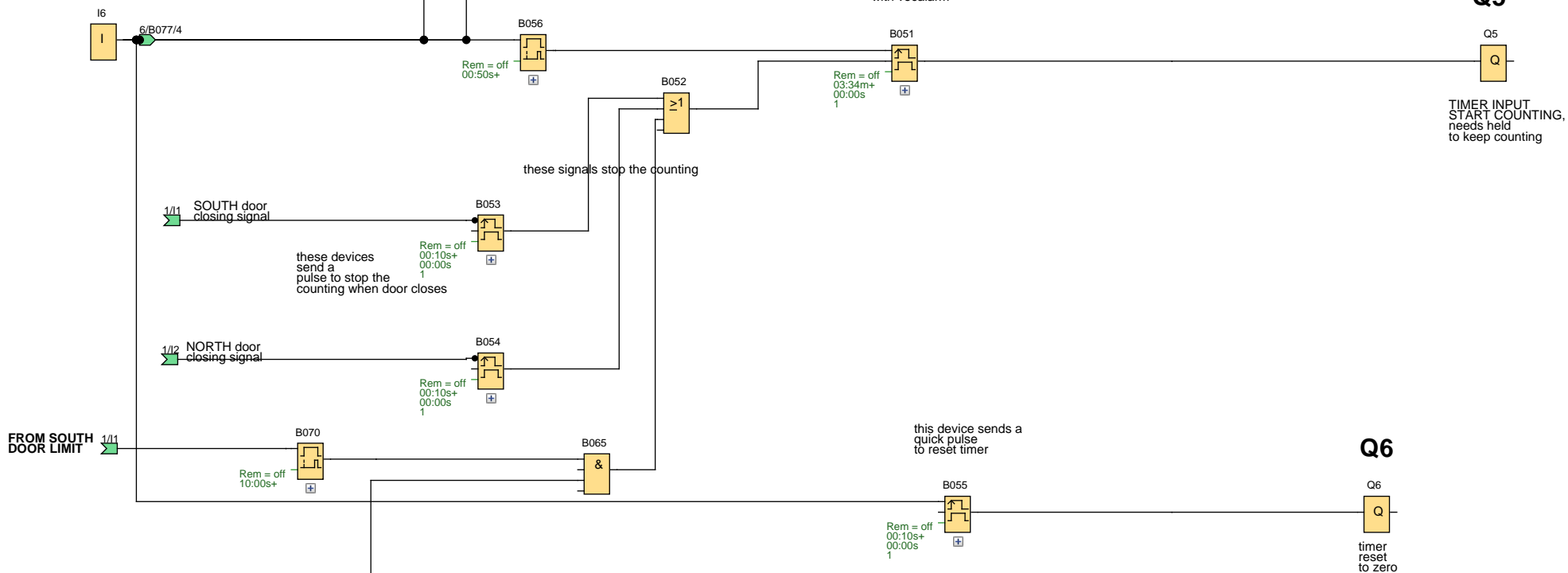


Q8-
Red light in dayroom

Creator:	munizax	DFD Lineshop	Project:	Station 13 doors	Customer:	Denver Fire Department
Checked:	5-2-22		Installation:		Diagram No.:	
Date:	9/20/16 7:47 AM/6/10/22 8:56 AM		File:	Sta 13 Doors 5-2-22.lsc	Page:	8 / 20

Sta 13 Shot clock section

I6-VOCALARM SIGNAL

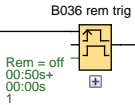
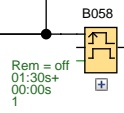


Creator:	munizax	DFD Lineshop	Project:	Station 13 doors	Customer:	Denver Fire Department
Checked:	5-2-22		Installation:		Diagram No.:	
Date:	9/20/16 7:47 AM/6/10/22 8:56 AM		File:	Sta 13 Doors 5-2-22.lsc	Page:	9 / 20

Creator:	munizax	DFD Lineshop	Project:	Station 13 doors	Customer:	Denver Fire Department
Checked:	5-2-22		Installation:		Diagram No.:	
Date:	9/20/16 7:47 AM/6/10/22 8:56 AM		File:	Sta 13 Doors 5-2-22.lsc	Page:	10 / 20

Sta 13 Door receiver pulse section

I11-Door remote transmitter

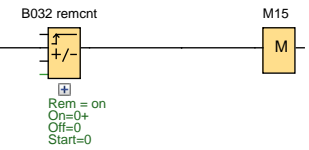


Q7-door opener

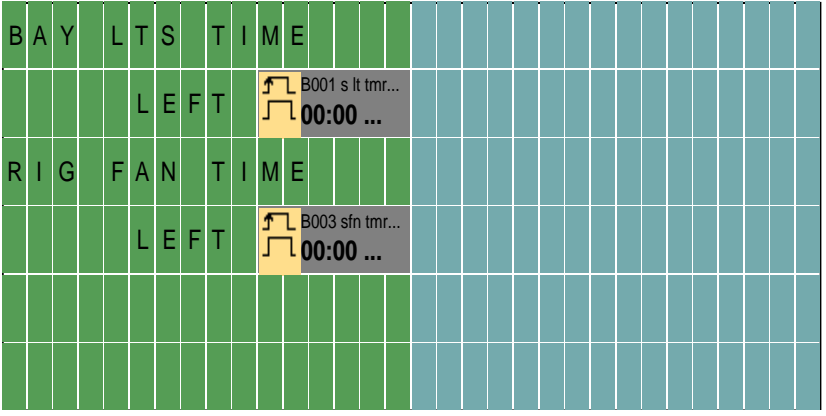
Creator:	munizax	DFD Lineshop	Project:	Station 13 doors	Customer:	Denver Fire Department
Checked:	5-2-22		Installation:		Diagram No.:	
Date:	9/20/16 7:47 AM/6/10/22 8:56 AM		File:	Sta 13 Doors 5-2-22.lsc	Page:	11 / 20

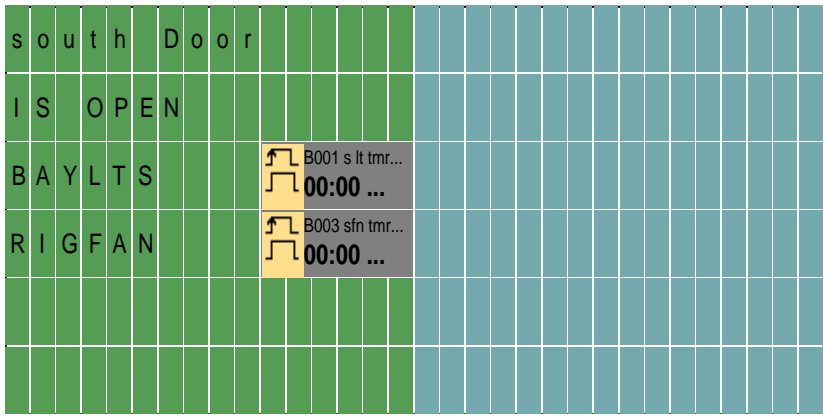
Sta 13

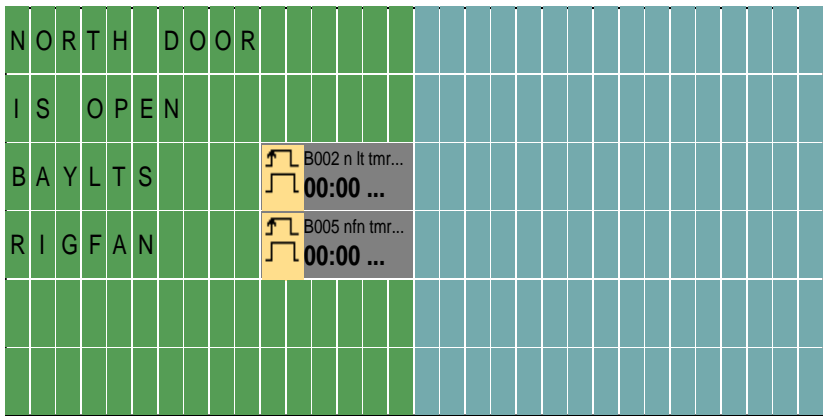
COUNTING SECTION

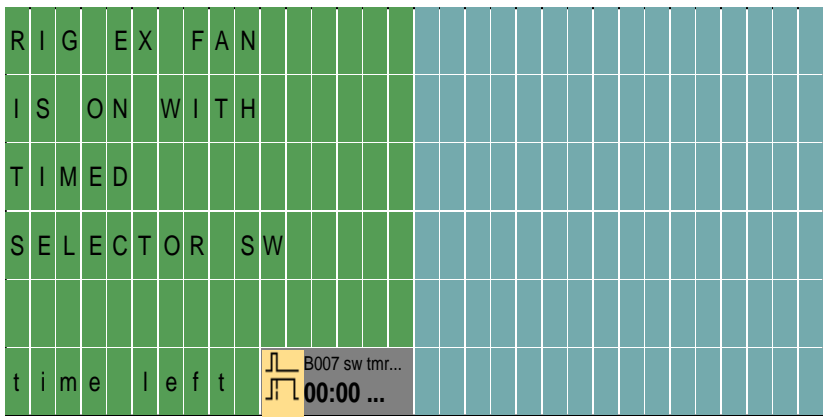


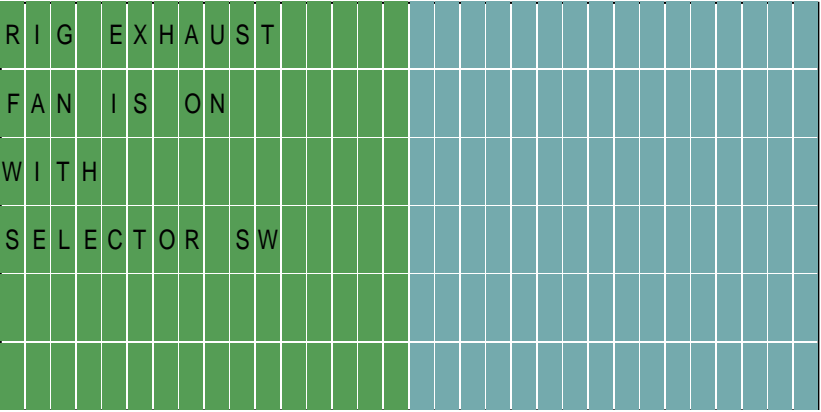
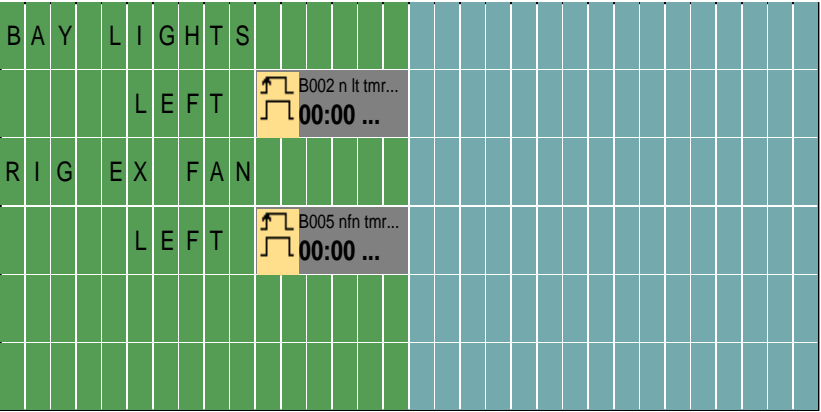
Creator:	munizax	DFD Lineshop	Project:	Station 13 doors	Customer:	Denver Fire Department
Checked:	5-2-22		Installation:		Diagram No.:	
Date:	9/20/16 7:47 AM/6/10/22 8:56 AM		File:	Sta 13 Doors 5-2-22.lsc	Page:	12 / 20

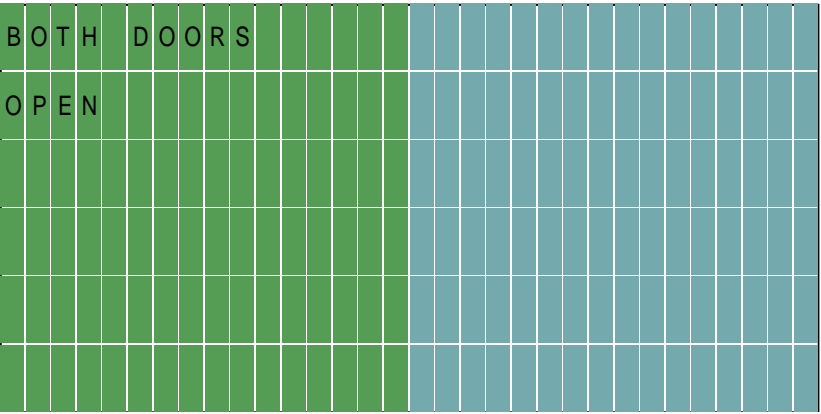
Block Number (Type)	Parameter					
B001 s lt tmr(Edge-triggered interval time-delay relay) : SOUTH DOOR LIGHT TIMER	Rem = off 03:00m+ 00:00s 1					
B002 n lt tmr(Edge-triggered interval time-delay relay) : NORTH DOOR LIGHT TIMER	Rem = off 03:00m+ 00:00s 1					
B003 sfn tmr(Edge-triggered interval time-delay relay) : SOUTH DOOR RIG EXHAUST FAN TIMER	Rem = off 02:00m+ 00:00s 1					
B005 nfn tmr(Edge-triggered interval time-delay relay) : NORTH DOOR RIG EXHAUST FAN TIMER	Rem = off 02:00m+ 00:00s 1					
B006 s timers msg(Message texts) :  Line2.11 B001 s lt tmr-THRest Line4.11 B003 sfn tmr-THRest	Priq = 4 Quit = off Text1: enabled Text2: disabled Ticker setting - CBC - Line1: N - Line2: N - Line3: N - Line4: N - Line5: N - Line6: N Message Destination - Both					
B007 sw tmr (Off-delay) :	Rem = off 15:00m+					
B008 lt pulse(Asynchronous pulse generator) :	Rem = off 05:00s+ 01:00s					
B011(Asynchronous pulse generator) :	Rem = off 00:50s+ 00:50s					
B012 sw on cn(Up/Down counter) : Selector sw ON counter	Rem = on On=0+ Off=0 Start=0					
B013 sw tm cn(Up/Down counter) : Selector sw timed counter	Rem = on On=0+ Off=0 Start=0					
B014 n dr cnt(Up/Down counter) : NORTH door counter	Rem = on On=0+ Off=0 Start=0					
B015 s dr cnt(Up/Down counter) : SOUTH door counter	Rem = on On=0+ Off=0 Start=0					
Creator:	munizax	DFD Lineshop	Project:	Station 13 doors	Customer:	Denver Fire Department
Checked:	5-2-22		Installation:		Diagram No.:	
Date:	9/20/16 7:47 AM/6/10/22 8:56 AM		File:	Sta 13 Doors 5-2-22.lsc	Page:	13 / 20

Block Number (Type)	Parameter
<p>B018 s dr msg(Message texts) :</p>  <p>Line3.11 B001 s lt tmr-THRest Line4.11 B003 sfn tmr-THRest</p>	<p>Prio = 1 Quit = off Text1: enabled Text2: disabled</p> <p>Ticker setting - CBC - Line1: N - Line2: N - Line3: N - Line4: N - Line5: N - Line6: N Message Destination - Both</p>

<p>B019 n dr msg(Message texts) :</p>  <p>Line3.11 B002 n lt tmr-THRest Line4.11 B005 nfn tmr-THRest</p>	<p>Prio = 2 Quit = off Text1: enabled Text2: disabled</p> <p>Ticker setting - CBC - Line1: N - Line2: N - Line3: N - Line4: N - Line5: N - Line6: N Message Destination - Both</p>
--	--

<p>B020 tmd fan msg(Message texts) :</p>  <p>Line6.11 B007 sw tmr -TRest</p>	<p>Prio = 8 Quit = off Text1: enabled Text2: disabled</p> <p>Ticker setting - CBC - Line1: N - Line2: N - Line3: N - Line4: N - Line5: N - Line6: N Message Destination - Both</p>
---	--

Block Number (Type)	Parameter
<p>B021 fan on msg(Message texts) :</p> 	<p>Prio = 7 Quit = off Text1: enabled Text2: disabled Ticker setting - CBC - Line1: N - Line2: N - Line3: N - Line4: N - Line5: N - Line6: N Message Destination - Both</p>
<p>B022(Edge-triggered interval time-delay relay) :</p>	<p>Rem = off 05:00s+ 00:00s 1</p>
<p>B023(On-delay) : contact bounce buffer</p>	<p>Rem = off 01:00s+</p>
<p>B024(Edge-triggered interval time-delay relay) :</p>	<p>Rem = off 02:00m+ 00:00s 1</p>
<p>B025(On-delay) : contact bounce buffer</p>	<p>Rem = off 01:00s+</p>
<p>B026(Asynchronous pulse generator) :</p>	<p>Rem = off 10:00s+ 10:00s</p>
<p>B027(Edge-triggered interval time-delay relay) :</p>	<p>Rem = off 02:00m+ 00:00s 1</p>
<p>B028 n timers msg(Message texts) :</p>  <p>Line2.11 B002 n lt tmr-THRest Line4.11 B005 nfn tmr-THRest</p>	<p>Prio = 5 Quit = off Text1: enabled Text2: disabled Ticker setting - CBC - Line1: N - Line2: N - Line3: N - Line4: N - Line5: N - Line6: N Message Destination - Both</p>
<p>B031(Asynchronous pulse generator) :</p>	<p>Rem = off 10:00s+ 10:00s</p>
<p>B032 remcnt(Up/Down counter) :</p>	<p>Rem = on On=0+ Off=0 Start=0</p>

Block Number (Type)	Parameter
<p>B033 both opn msg(Message texts) :</p> 	<p>Prio = 6 Quit = off Text1: enabled Text2: disabled Ticker setting - CBC - Line1: N - Line2: N - Line3: N - Line4: N - Line5: N - Line6: N Message Destination - Both</p>
<p>B035(Asynchronous pulse generator) :</p>	<p>Rem = off 10:00s+ 10:00s</p>
<p>B036 rem trig(Edge-triggered interval time-delay relay) :</p>	<p>Rem = off 00:50s+ 00:00s 1</p>
<p>B037(Asynchronous pulse generator) :</p>	<p>Rem = off 03:00s+ 01:00s</p>
<p>B038(On-delay) :</p>	<p>Rem = off 10:00s+</p>
<p>B039(Astronomical clock) :</p>	<p>Lot: W104°53'7"+ Lat: N39°38'59" TZ: -7 Sunrise offset: 20 Sunset offset: -20</p>
<p>B042(Edge-triggered interval time-delay relay) :</p>	<p>Rem = off 09:90s+ 00:00s 1</p>
<p>B043 exfancnt(Up/Down counter) : Ex Fan Count</p>	<p>Rem = on On=0+ Off=0 Start=0</p>
<p>B044 bckupslt(Edge-triggered interval time-delay relay) :</p>	<p>Rem = off 02:00m+ 00:00s 1</p>
<p>B045 exfanhrs(Operating hours counter) : Ex Fan Hours</p>	<p>MI= 0h 0m+ OI= 0h 0m Q->0=R+En</p>
<p>B046 bckupnlt(Edge-triggered interval time-delay relay) :</p>	<p>Rem = off 02:00m+ 00:00s 1</p>
<p>B047(On-delay) :</p>	<p>Rem = off 10:00s+</p>
<p>B048(Edge-triggered interval time-delay relay) :</p>	<p>Rem = off 09:90s+ 00:00s 1</p>
<p>B049(Asynchronous pulse generator) :</p>	<p>Rem = off 03:00s+ 01:00s</p>

Block Number (Type)	Parameter
B051(Edge-triggered interval time-delay relay) : this device starts timer counting from zero with vocalarm	Rem = off 03:34m+ 00:00s 1
B053(Edge-triggered interval time-delay relay) : these devices send a pulse to stop the counting when door closes	Rem = off 00:10s+ 00:00s 1
B054(Edge-triggered interval time-delay relay) :	Rem = off 00:10s+ 00:00s 1
B055(Edge-triggered interval time-delay relay) : this device sends a quick pulse to reset timer	Rem = off 00:10s+ 00:00s 1
B056(On-delay) :	Rem = off 00:50s+
B057 sfndelay(On-delay) :	Rem = off 00:00s+
B058(Edge-triggered interval time-delay relay) :	Rem = off 01:30s+ 00:00s 1
B059(Asynchronous pulse generator) :	Rem = off 00:50s+ 00:50s
B060(Edge-triggered interval time-delay relay) :	Rem = off 04:00s+ 00:00s 1
B061(On-delay) :	Rem = off 04:25s+
B062(Edge-triggered interval time-delay relay) :	Rem = off 20:00s+ 00:00s 1
B068(Edge-triggered interval time-delay relay) :	Rem = off 00:00m+ 00:00s 1
B069(On-delay) :	Rem = off 00:00s+
B070(On-delay) :	Rem = off 10:00s+
B071(Edge-triggered interval time-delay relay) :	Rem = off 15:00s+ 00:00s 1
B073(Asynchronous pulse generator) :	Rem = off 03:00s+ 01:00s
B074(Edge-triggered interval time-delay relay) :	Rem = off 07:50s+ 00:00s 1
B075(On-delay) :	Rem = off 15:00s+
I1(Input) : 1-South door limit switch (N/C)	
I2(Input) : 2-North door limit switch (N/C)	

Block Number (Type)	Parameter
I3(Input) : Ex fan selector sw timed	
I4(Input) : ex fan selector sw on	
I6(Input) : I6-VOCALARM SIGNAL	
I11(Input) : I11-Door remote transmitter	
Q1(Output) : Q1-App bay lts	
Q2(Output) : Q2-Rig ex fan	
Q3(Output) : Q3-Back up LED lights	
Q5(Output) : TIMER INPUT START COUNTING, needs held to keep counting	
Q6(Output) : timer reset to zero	
Q7(Output) : Q7-door opener	
Q8(Output) : Q8- Red light in dayroom	

Creator:	munizax	DFD Lineshop	Project:	Station 13 doors	Customer:	Denver Fire Department
Checked:	5-2-22		Installation:		Diagram No.:	
Date:	9/20/16 7:47 AM/6/10/22 8:56 AM		File:	Sta 13 Doors 5-2-22.lsc	Page:	18 / 20

Connection	Label
C1	
C2	
I1	
I2	
I3	
I4	
I6	
I11	
M1	
M2	
M3	
M4	
M5	
M6	
M7	
M8	Initialization Flag
M9	
M10	
M11	
M12	
M13	
M14	
M15	
Q1	
Q2	
Q3	
Q5	
Q6	
Q7	

Connection	Label
Q8	

--	--	--	--	--	--

Creator:	munizax	DFD Lineshop	Project:	Station 13 doors	Customer:	Denver Fire Department
Checked:	5-2-22		Installation:		Diagram No.:	
Date:	9/20/16 7:47 AM/6/10/22 8:56 AM		File:	Sta 13 Doors 5-2-22.lsc	Page:	20 / 20