

Comment

2-11-19 added AES interconnect, counters for the first time ever,
5-18-22 counts read ndr cnt 1231, sdr cnt 21801, exfancnt 20614, exfanhrs 807h 44m. fansw on 180, fn tmrs 39, nopenct 0, copencnt 0, sopenct 0, fnoncnt 20610, fncrcnt 20180, aesoutcn 396, city IP installed, online tests good, verified type FS-05, all counts to zero, redwnloaded

Creator:	John Ledbetter	Denver Fire Lineshop	Project:	Station 14 doors	Customer:	Denver Fire Department
Checked:	5-18-22		Installation:		Diagram No.:	4
Date:	2/18/16 7:10 AM/6/10/22 8:57 AM		File:	Sta 14 drs 5-18-22.lsc	Page:	1 / 17

Module Address

IP Address 10.126.164.101
Subnet Mask: 255.255.255.240
Default gateway 10.126.164.97

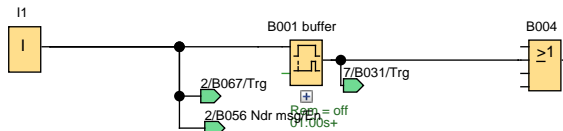
Creator:	John Ledbetter	Denver Fire Lineshop	Project:	Station 14 doors	Customer:	Denver Fire Department
Checked:	5-18-22		Installation:		Diagram No.:	4
Date:	2/18/16 7:10 AM/6/10/22 8:57 AM		File:	Sta 14 drs 5-18-22.lsc	Page:	2 / 17

Station 14 Doors 5-18-22 type FS-05 verified

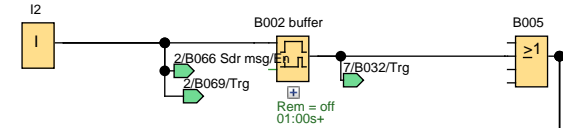
City IP address 10.126.164.101
 255.255.255.240
 10.126.164.97

App. bay lights section

I1-NORTH DOOR

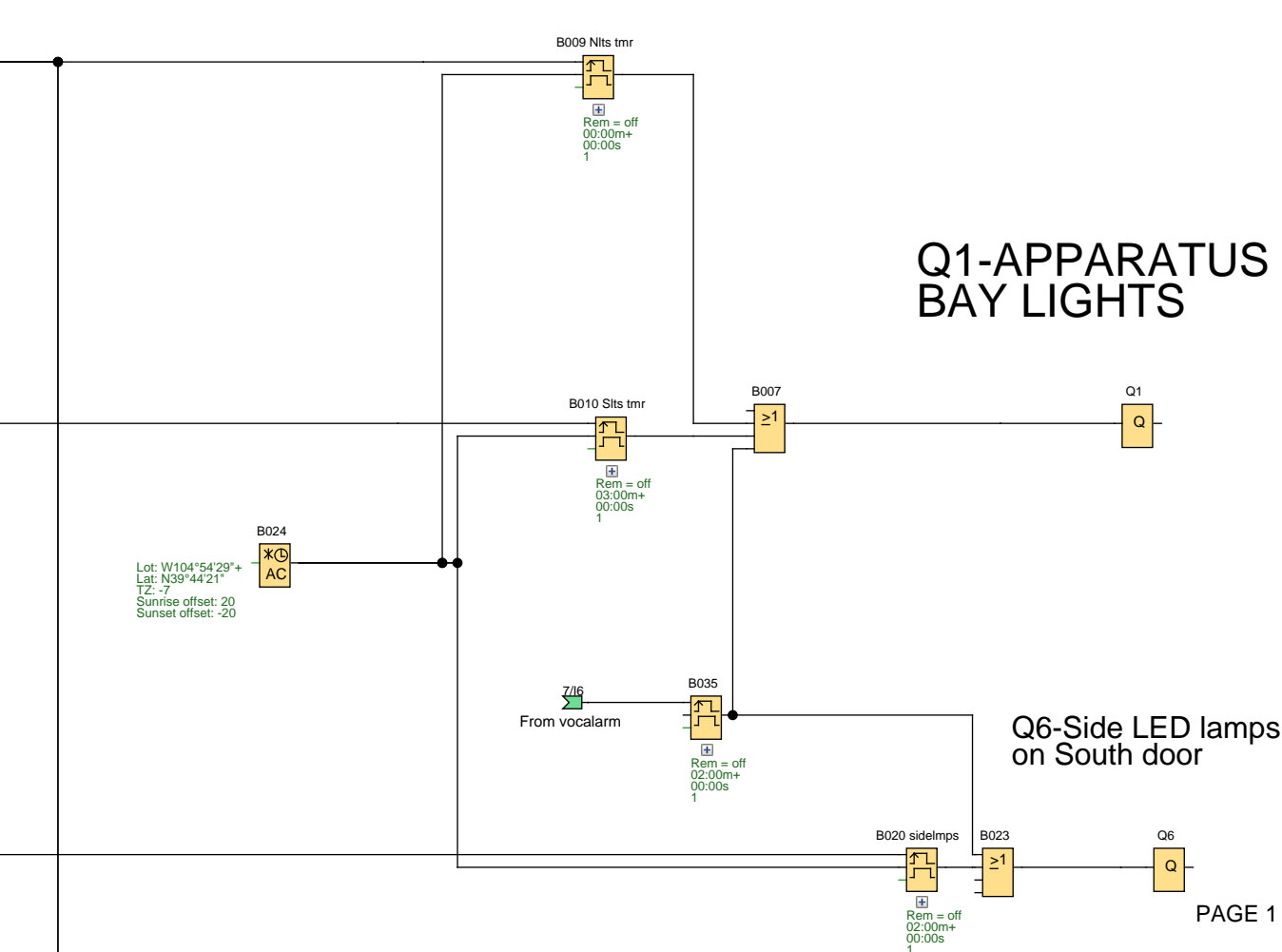


I2-SOUTH DOOR



Q1-APPARATUS BAY LIGHTS

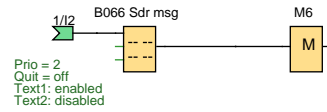
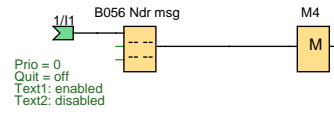
Q6-Side LED lamps on South door



Creator:	John Ledbetter	Denver Fire Lineshop	Project:	Station 14 doors	Customer:	Denver Fire Department
Checked:	5-18-22		Installation:		Diagram No.:	4
Date:	2/18/16 7:10 AM/6/10/22 8:57 AM		File:	Sta 14 drs 5-18-22.lsc	Page:	3 / 17

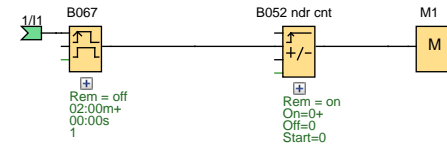
Sta 14

MESSAGE SECTION

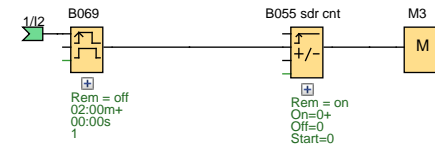


Counting sections

North door count



South door count



Creator:	John Ledbetter	Denver Fire Lineshop	Project:	Station 14 doors	Customer:	Denver Fire Department
Checked:	5-18-22		Installation:		Diagram No.:	4
Date:	2/18/16 7:10 AM/6/10/22 8:57 AM		File:	Sta 14 drs 5-18-22.lsc	Page:	4 / 17

Sta 14 Rig exhaust fan section

NORTH DOOR RIG EXHAUST FAN TIMER

B015 Nfn tmr

Rem = off
00:00m+
00:00s
1

Q2-Rig ex fan

Q2

6/B090 fnoncnt/Cnt
6/B094/R
6/B088/1

SOUTH DOOR RIG EXHAUST FAN TIMER

B017 Sfn tmr

Rem = off
02:00m+
00:00s
1

I4-Ex fan selector sw on

I4

4/B074/Trg

I5-Ex fan selector sw timed

I5

B016 sw tmr

Rem = off
15:00m+
00:00s
1

4/B075/Trg

B012 lt pulse

Rem = off
05:00s+
01:00s
1

Q8-Rig ex fan selector sw LED

Q8

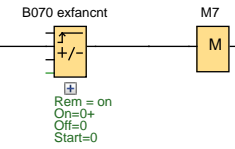
B014

Creator:	John Ledbetter	Denver Fire Lineshop	Project:	Station 14 doors	Customer:	Denver Fire Department
Checked:	5-18-22		Installation:		Diagram No.:	4
Date:	2/18/16 7:10 AM/6/10/22 8:57 AM		File:	Sta 14 drs 5-18-22.lsc	Page:	5 / 17

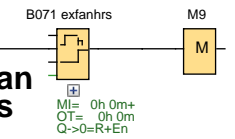
Sta 14

Counting sections

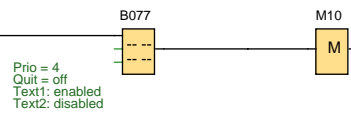
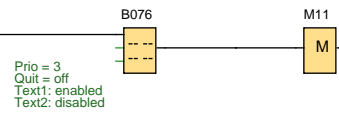
Rig fan "ON" count



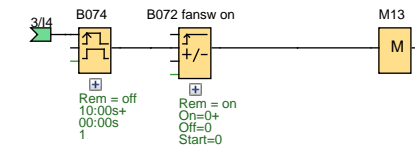
Rig fan hours



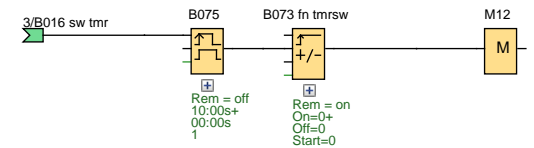
Message sections



Fan switch "ON" count



Fan switch timer count

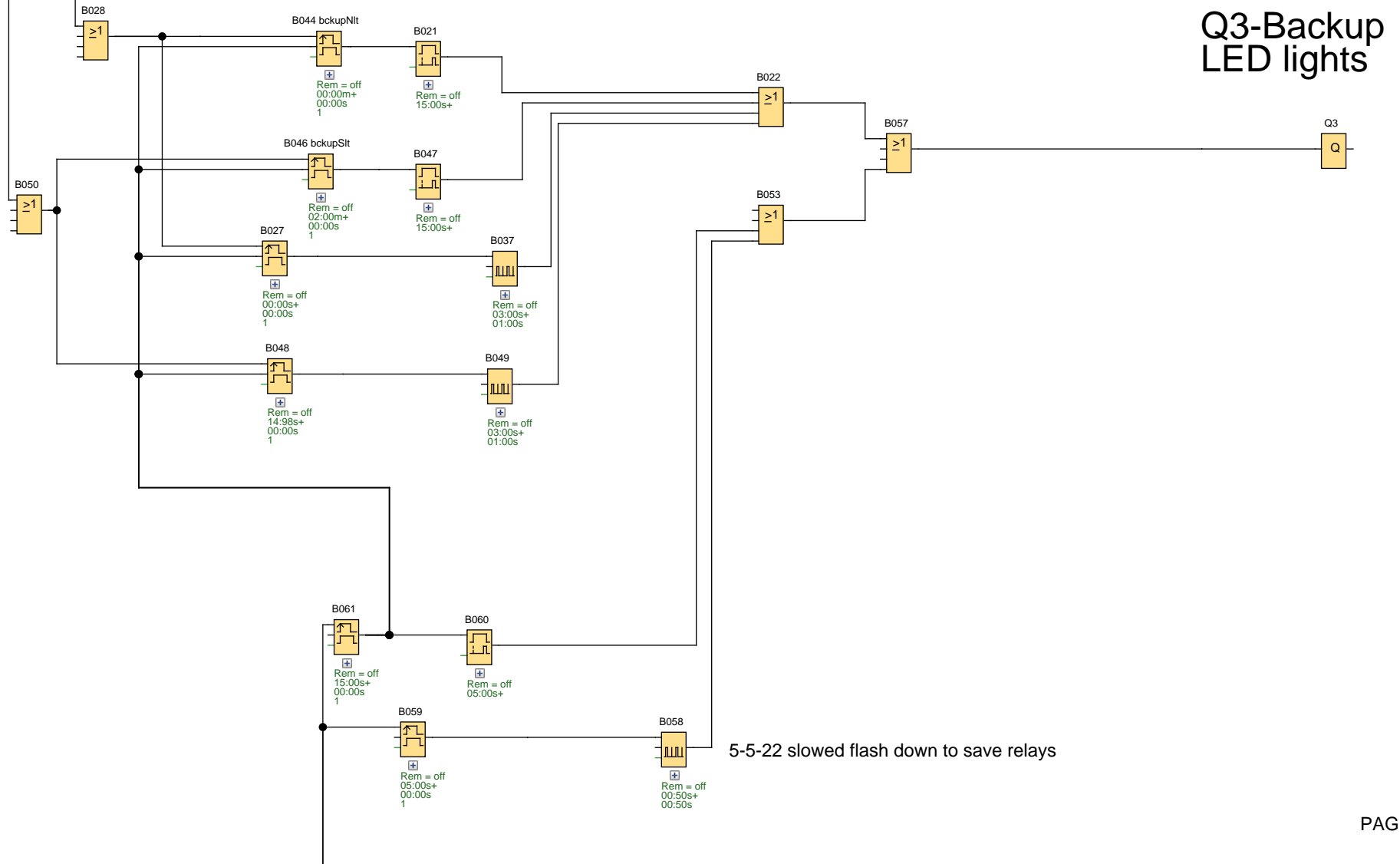


Creator:	John Ledbetter	Denver Fire Lineshop	Project:	Station 14 doors	Customer:	Denver Fire Department
Checked:	5-18-22		Installation:		Diagram No.:	4
Date:	2/18/16 7:10 AM/6/10/22 8:57 AM		File:	Sta 14 drs 5-18-22.lsc	Page:	6 / 17

Station 14 Doors

Back up LED light section

Sta 14 has one backup LED



Q3-Backup LED lights

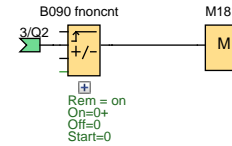
5-5-22 slowed flash down to save relays

Creator:	John Ledbetter	Denver Fire Lineshop	Project:	Station 14 doors	Customer:	Denver Fire Department
Checked:	5-18-22		Installation:		Diagram No.:	4
Date:	2/18/16 7:10 AM/6/10/22 8:57 AM		File:	Sta 14 drs 5-18-22.lsc	Page:	7 / 17

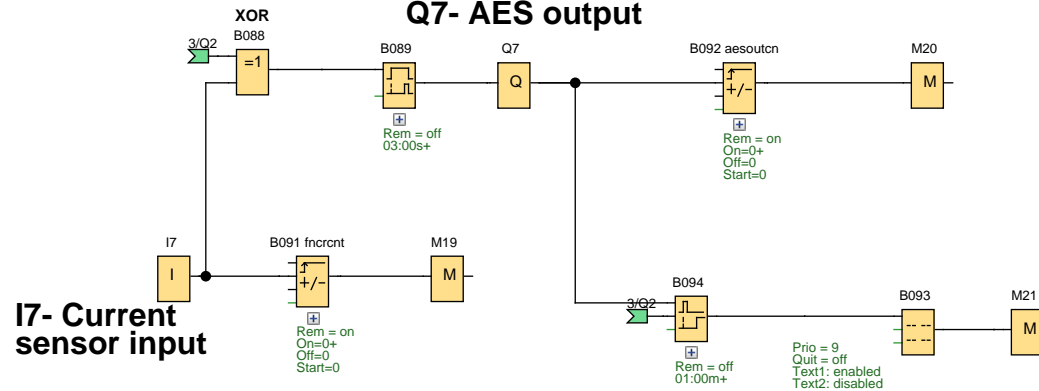
Sta 14

AES/RIG FAN SECTION
 this tells if "calling for" rig fan
 and rig fan current is
 being produced at the same time

Fan "ON" count



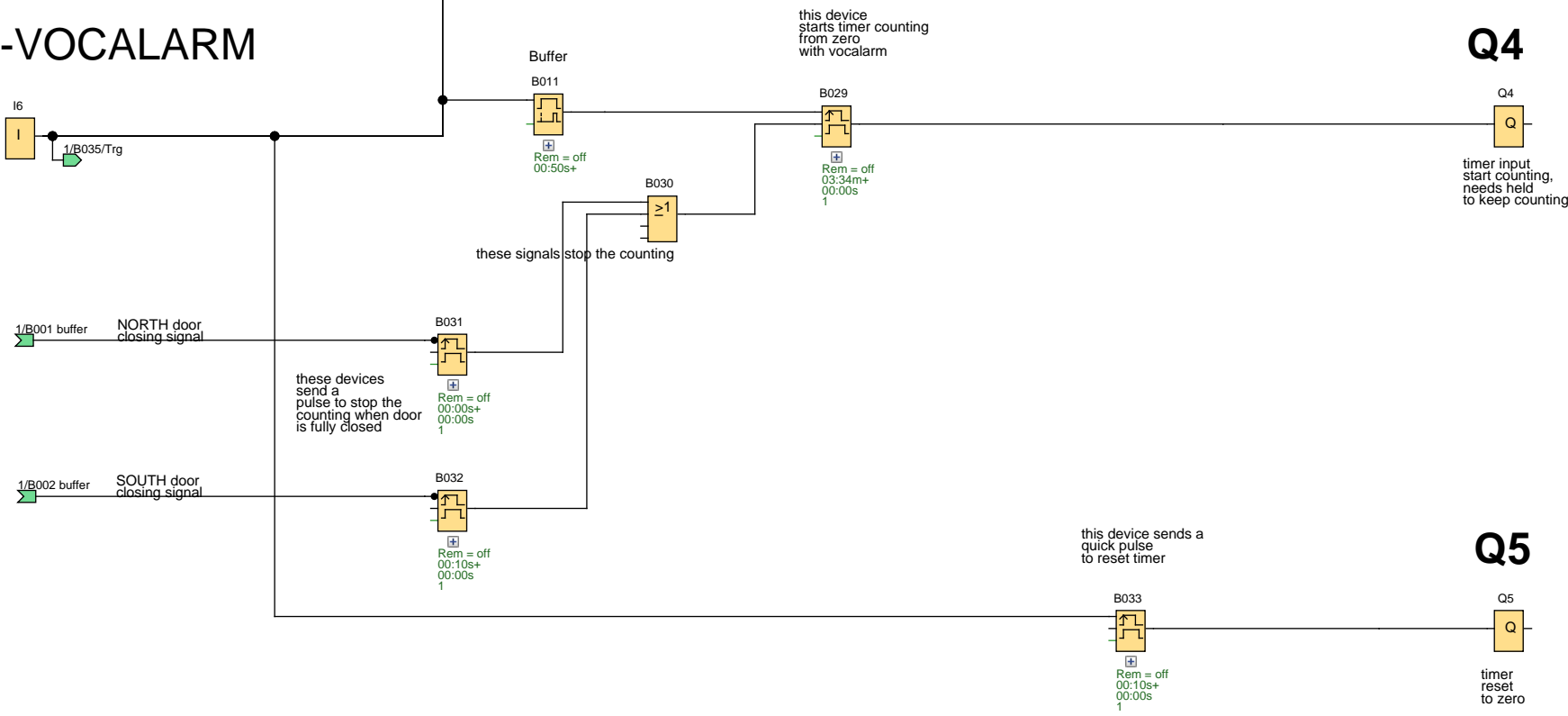
Q7- AES output



Creator:	John Ledbetter	Denver Fire Lineshop	Project:	Station 14 doors	Customer:	Denver Fire Department
Checked:	5-18-22		Installation:		Diagram No.:	4
Date:	2/18/16 7:10 AM/6/10/22 8:57 AM		File:	Sta 14 drs 5-18-22.lsc	Page:	8 / 17

Sta 14 SHOT CLOCK

I6-VOCALARM

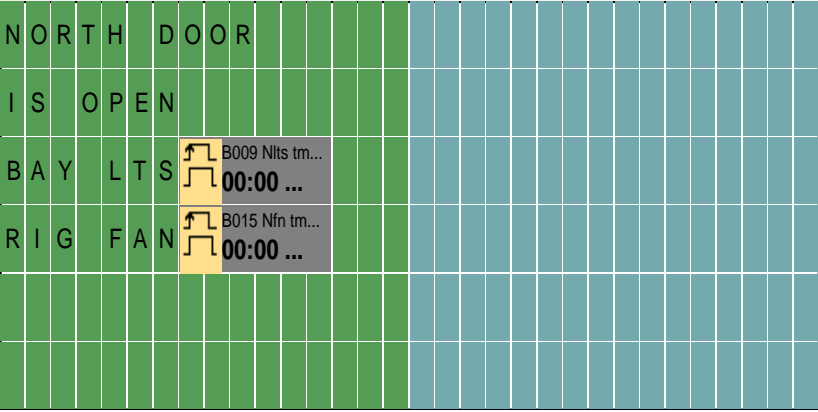


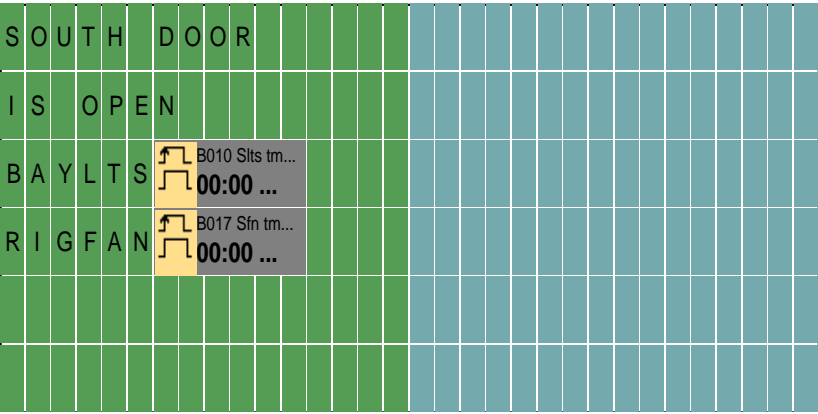
Creator:	John Ledbetter	Denver Fire Lineshop	Project:	Station 14 doors	Customer:	Denver Fire Department
Checked:	5-18-22		Installation:		Diagram No.:	4
Date:	2/18/16 7:10 AM/6/10/22 8:57 AM		File:	Sta 14 drs 5-18-22.lsc	Page:	9 / 17

Sta 14

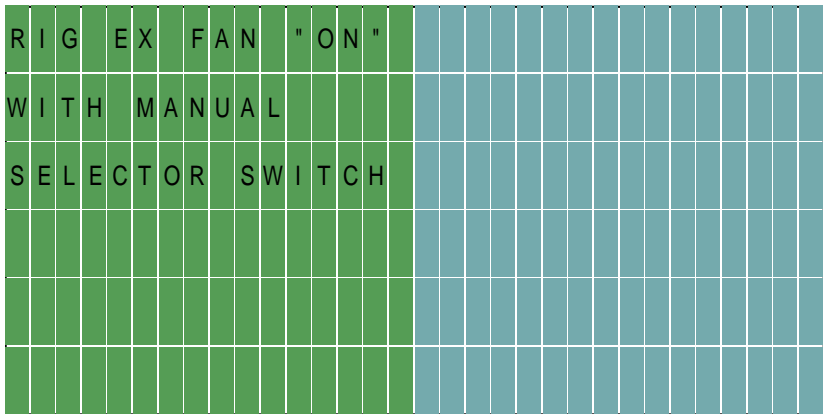
Creator:	John Ledbetter	Denver Fire Lineshop	Project:	Station 14 doors	Customer:	Denver Fire Department
Checked:	5-18-22		Installation:		Diagram No.:	4
Date:	2/18/16 7:10 AM/6/10/22 8:57 AM		File:	Sta 14 drs 5-18-22.lsc	Page:	10 / 17

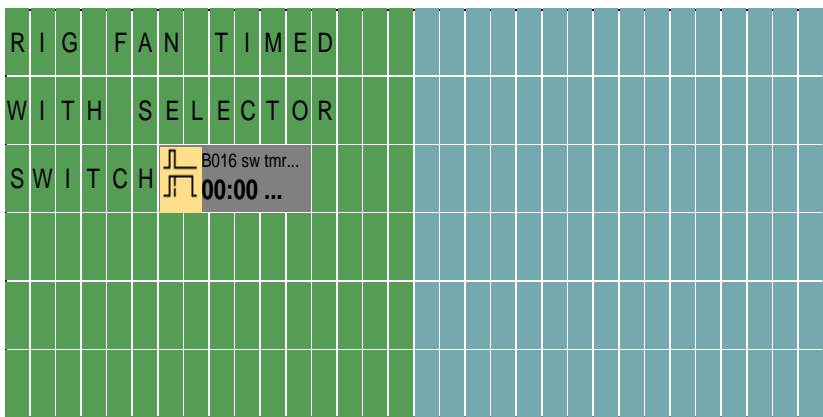
Block Number (Type)	Parameter					
B001 buffer(On-delay) :	Rem = off 01:00s+					
B002 buffer(On-delay) :	Rem = off 01:00s+					
B009 Nlts tmr(Edge-triggered interval time-delay relay) :	Rem = off 00:00m+ 00:00s 1					
B010 Sits tmr(Edge-triggered interval time-delay relay) :	Rem = off 03:00m+ 00:00s 1					
B011(On-delay) :	Rem = off 00:50s+					
B012 lt pulse(Asynchronous pulse generator) :	Rem = off 05:00s+ 01:00s					
B015 Nfn tmr(Edge-triggered interval time-delay relay) : NORTH DOOR RIG EXHAUST FAN TIMER	Rem = off 00:00m+ 00:00s 1					
B016 sw tmr (Off-delay) :	Rem = off 15:00m+					
B017 Sfn tmr(Edge-triggered interval time-delay relay) : SOUTH DOOR RIG EXHAUST FAN TIMER	Rem = off 02:00m+ 00:00s 1					
B020 sidelmps(Edge-triggered interval time-delay relay) :	Rem = off 02:00m+ 00:00s 1					
B021(On-delay) :	Rem = off 15:00s+					
B024(Astronomical clock) :	Lot: W104°54'29"+ Lat: N39°44'21" TZ: -7 Sunrise offset: 20 Sunset offset: -20					
B027(Edge-triggered interval time-delay relay) :	Rem = off 00:00s+ 00:00s 1					
B029(Edge-triggered interval time-delay relay) : this device starts timer counting from zero with vocalarm	Rem = off 03:34m+ 00:00s 1					
B031(Edge-triggered interval time-delay relay) : these devices send a pulse to stop the counting when door is fully closed	Rem = off 00:00s+ 00:00s 1					
B032(Edge-triggered interval time-delay relay) :	Rem = off 00:10s+ 00:00s 1					
B033(Edge-triggered interval time-delay relay) : this device sends a quick pulse to reset timer	Rem = off 00:10s+ 00:00s 1					
B035(Edge-triggered interval time-delay relay) :	Rem = off 02:00m+ 00:00s 1					
B037(Asynchronous pulse generator) :	Rem = off 03:00s+ 01:00s					
Creator:	John Ledbetter	Denver Fire Lineshop	Project:	Station 14 doors	Customer:	Denver Fire Department
Checked:	5-18-22		Installation:		Diagram No.:	4
Date:	2/18/16 7:10 AM/6/10/22 8:57 AM		File:	Sta 14 drcs 5-18-22.lsc	Page:	11 / 17

Block Number (Type)	Parameter
B044 bckupNlt(Edge-triggered interval time-delay relay) :	Rem = off 00:00m+ 00:00s 1
B046 bckupSlit(Edge-triggered interval time-delay relay) :	Rem = off 02:00m+ 00:00s 1
B047(On-delay) :	Rem = off 15:00s+
B048(Edge-triggered interval time-delay relay) :	Rem = off 14:98s+ 00:00s 1
B049(Asynchronous pulse generator) :	Rem = off 03:00s+ 01:00s
B052 ndr cnt(Up/Down counter) :	Rem = on On=0+ Off=0 Start=0
B055 sdr cnt(Up/Down counter) :	Rem = on On=0+ Off=0 Start=0
B056 Ndr msg(Message texts) :  Line3.8 B009 Nlts tmr-THRest Line4.8 B015 Nfn tmr-THRest	Prio = 0 Quit = off Text1: enabled Text2: disabled Ticker setting - CBC - Line1: N - Line2: N - Line3: N - Line4: N - Line5: N - Line6: N Message Destination - Both
B058(Asynchronous pulse generator) :	Rem = off 00:50s+ 00:50s
B059(Edge-triggered interval time-delay relay) :	Rem = off 05:00s+ 00:00s 1
B060(On-delay) :	Rem = off 05:00s+
B061(Edge-triggered interval time-delay relay) :	Rem = off 15:00s+ 00:00s 1

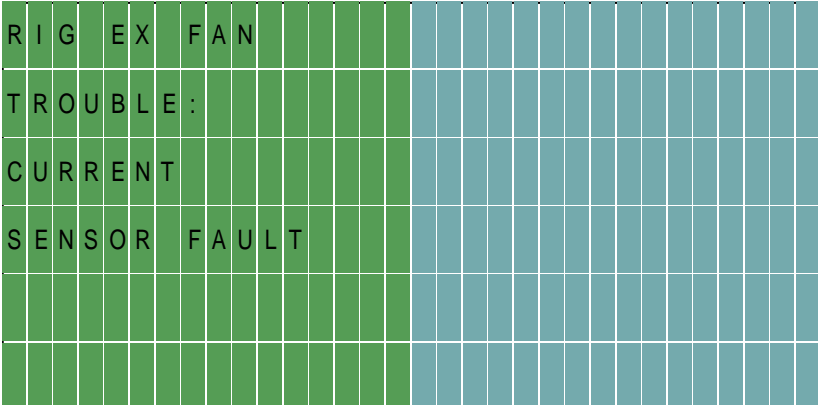
Block Number (Type)	Parameter
<p>B066 Sdr msg(Message texts) :</p>  <p>Line3.7 B010 SIts tmr-THRest Line4.7 B017 Sfn tmr-THRest</p>	<p>Prio = 2 Quit = off Text1: enabled Text2: disabled</p> <p>Ticker setting - CBC - Line1: N - Line2: N - Line3: N - Line4: N - Line5: N - Line6: N</p> <p>Message Destination - Both</p>
<p>B067(Edge-triggered interval time-delay relay) :</p>	<p>Rem = off 02:00m+ 00:00s 1</p>
<p>B069(Edge-triggered interval time-delay relay) :</p>	<p>Rem = off 02:00m+ 00:00s 1</p>
<p>B070 exfan cnt(Up/Down counter) : Rig fan "ON" count</p>	<p>Rem = on On=0+ Off=0 Start=0</p>
<p>B071 exfan hrs(Operating hours counter) : Rig fan hours</p>	<p>MI= 0h 0m+ OT= 0h 0m Q->0=R+En</p>
<p>B072 fansw on(Up/Down counter) :</p>	<p>Rem = on On=0+ Off=0 Start=0</p>
<p>B073 fn tmrs w(Up/Down counter) :</p>	<p>Rem = on On=0+ Off=0 Start=0</p>
<p>B074(Edge-triggered interval time-delay relay) :</p>	<p>Rem = off 10:00s+ 00:00s 1</p>
<p>B075(Edge-triggered interval time-delay relay) :</p>	<p>Rem = off 10:00s+ 00:00s 1</p>

Creator:	John Ledbetter	Denver Fire Lineshop	Project:	Station 14 doors	Customer:	Denver Fire Department
Checked:	5-18-22		Installation:		Diagram No.:	4
Date:	2/18/16 7:10 AM/6/10/22 8:57 AM		File:	Sta 14 drs 5-18-22.lsc	Page:	13 / 17

Block Number (Type)	Parameter
<p>B076(Message texts) :</p> 	<p>Prio = 3 Quit = off Text1: enabled Text2: disabled</p> <p>Ticker setting - CBC - Line1: N - Line2: N - Line3: N - Line4: N - Line5: N - Line6: N</p> <p>Message Destination - Both</p>

<p>B077(Message texts) :</p>  <p>Line3.7 B016 sw tmr -TRest</p>	<p>Prio = 4 Quit = off Text1: enabled Text2: disabled</p> <p>Ticker setting - CBC - Line1: N - Line2: N - Line3: N - Line4: N - Line5: N - Line6: N</p> <p>Message Destination - Both</p>
---	--

B078 nopencnt(Up/Down counter) :	Rem = on On=0+ Off=0 Start=0
B079 copencnt(Up/Down counter) :	Rem = on On=0+ Off=0 Start=0
B080 sopencnt(Up/Down counter) :	Rem = on On=0+ Off=0 Start=0
B089(On-delay) :	Rem = off 03:00s+
B090 fnoncnt(Up/Down counter) :	Rem = on On=0+ Off=0 Start=0
B091 fncrcnt(Up/Down counter) :	Rem = on On=0+ Off=0 Start=0
B092 aesoutcn(Up/Down counter) :	Rem = on On=0+ Off=0 Start=0

Block Number (Type)	Parameter
B093(Message texts) : 	Prio = 9 Quit = off Text1: enabled Text2: disabled Ticker setting - CBC - Line1: N - Line2: N - Line3: N - Line4: N - Line5: N - Line6: N Message Destination - Both

B094(Retentive on-delay) :	Rem = off 01:00m+
----------------------------	----------------------

I1(Input) : I1-NORTH DOOR	
------------------------------	--

I2(Input) : I2-SOUTH DOOR	
------------------------------	--

I4(Input) : I4-Ex fan selector sw on	
---	--

I5(Input) : I5-Ex fan selector sw timed	
--	--

I6(Input) : I6-VOCALARM	
----------------------------	--

I7(Input) : I7- Current sensor input	
---	--

Q1(Output) : Q1-APPARATUS BAY LIGHTS	
---	--

Q2(Output) : Q2-Rig ex fan	
-------------------------------	--

Q3(Output) : Q3-Backup LED lights	
--------------------------------------	--

Q4(Output) : timer input start counting, needs held to keep counting	
---	--

Q5(Output) : timer reset to zero	
-------------------------------------	--

Q6(Output) : Q6-Side LED lamps on South door	
---	--

Q7(Output) : Q7- AES output	
--------------------------------	--

--

Connection	Label
I1	
I2	
I4	
I5	
I6	
I7	
M1	
M3	
M4	
M6	
M7	
M9	
M10	
M11	
M12	
M13	
M15	
M16	
M17	
M18	
M19	
M20	
M21	
Q1	
Q2	
Q3	
Q4	
Q5	
Q6	

Creator:	John Ledbetter	Denver Fire Lineshop	Project:	Station 14 doors	Customer:	Denver Fire Department
Checked:	5-18-22		Installation:		Diagram No.:	4
Date:	2/18/16 7:10 AM/6/10/22 8:57 AM		File:	Sta 14 drs 5-18-22.lsc	Page:	16 / 17

Connection	Label
Q7	
Q8	

Creator:	John Ledbetter	Denver Fire Lineshop	Project:	Station 14 doors	Customer:	Denver Fire Department
Checked:	5-18-22		Installation:		Diagram No.:	4
Date:	2/18/16 7:10 AM/6/10/22 8:57 AM		File:	Sta 14 drs 5-18-22.lsc	Page:	17 / 17