

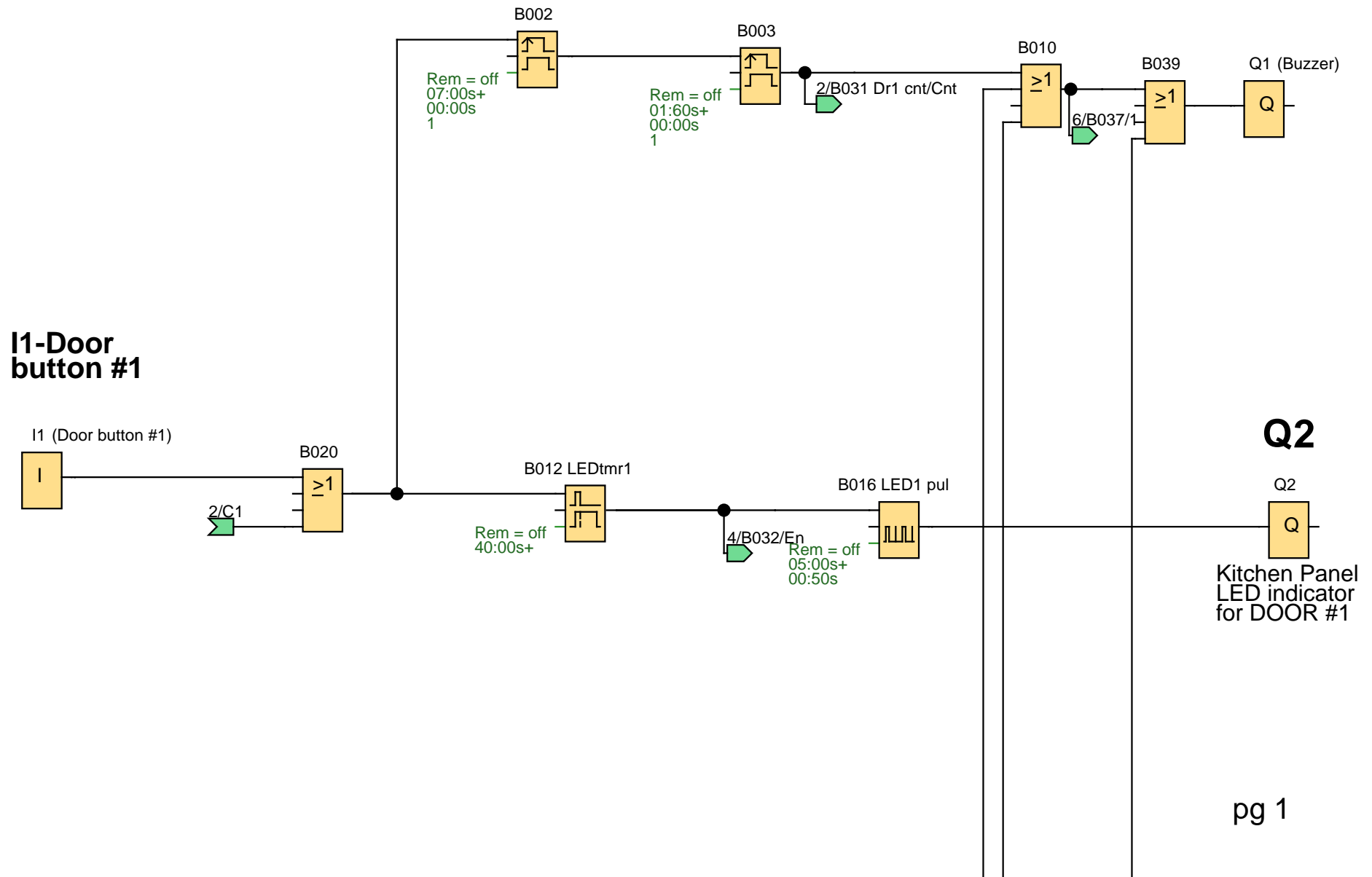
**Comment**

Worked for contact bounce on counters, YES  
and exterior buzzers shut off at night,  
copied from sta 39 (9-12-18) and tweaked, for Smart E  
prgrm does not allow a visitor to repeatedly push door button numerous times TOO FAST,  
9-13-18 dwn lded, yes, but forgot paper work diagram

Creator:	JBL	DFD Lineshop	Project:	Doorbells	Customer:	
Checked:	9-12-18		Installation:	Station 18	Diagram No.:	
Date:	5/15/13 7:02 AM/6/10/22 9:02 AM		File:	Sta 18 Drbells 9-12-18.lsc	Page:	1 / 14

# Station 18 Doorbells 9-12-18 WINDLGC version 8.0 hardware Smart F

## Q1 Interior Buzzers



## Q2 Kitchen Panel LED indicator for DOOR #1

pg 1

Creator:	JBL	DFD Lineshop	Project:	Doorbells	Customer:	
Checked:	9-12-18		Installation:	Station 18	Diagram No.:	
Date:	5/15/13 7:02 AM/6/10/22 9:02 AM		File:	Sta 18 Drbells 9-12-18.lsc	Page:	2 / 14

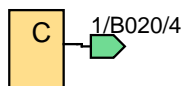
# Station 18 Doorbells

## COUNTER SECTION

### CURSOR KEY SECTION

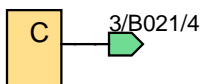
#### DOOR #1

C1



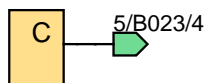
#### DOOR #2

C4



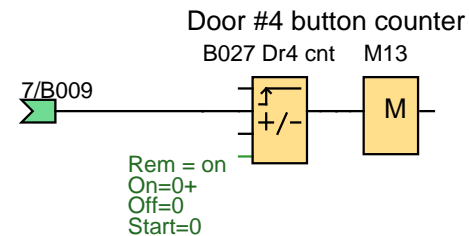
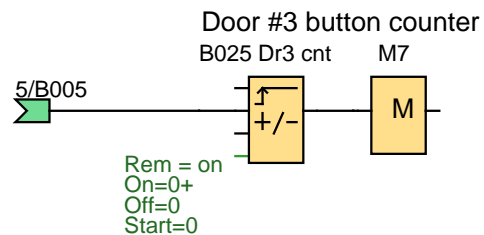
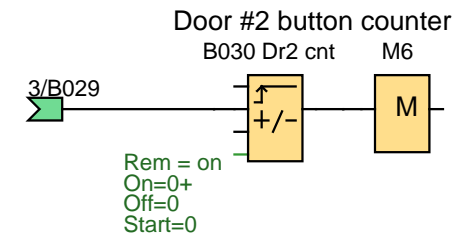
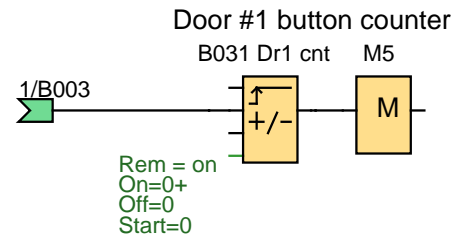
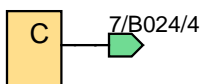
#### DOOR #3

C2



#### DOOR #4

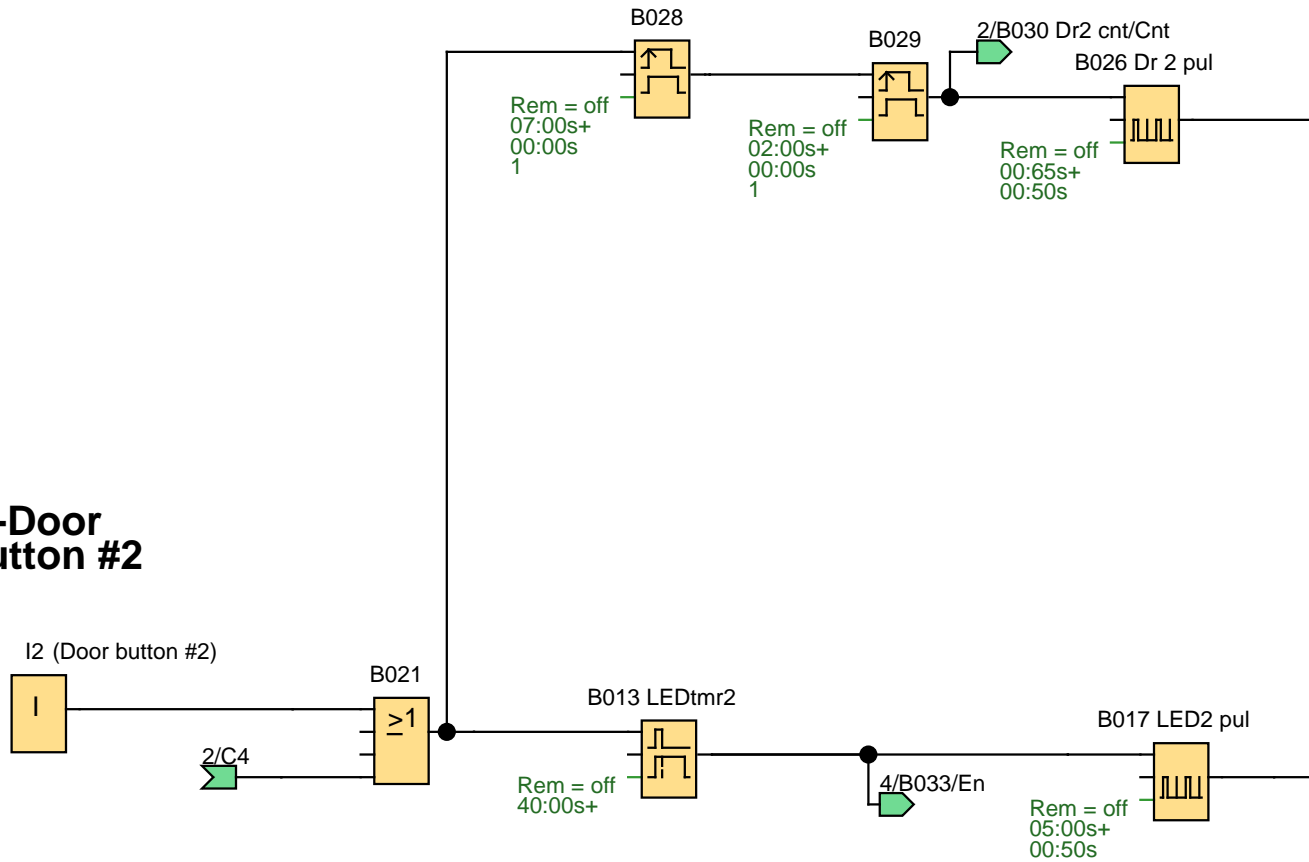
C3



Creator:	JBL	DFD Lineshop	Project:	Doorbells	Customer:	
Checked:	9-12-18		Installation:	Station 18	Diagram No.:	
Date:	5/15/13 7:02 AM/6/10/22 9:02 AM		File:	Sta 18 Drbells 9-12-18.lsc	Page:	3 / 14

# Station 18 Doorbells

## I2-Door button #2



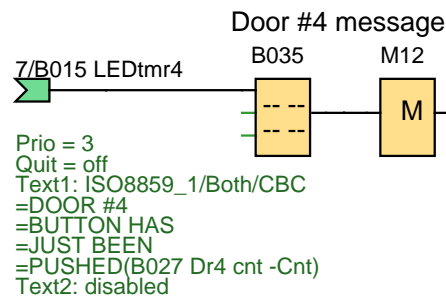
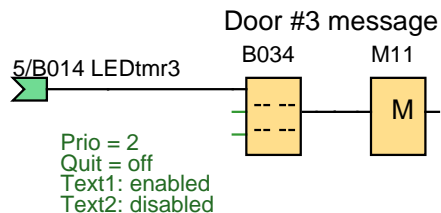
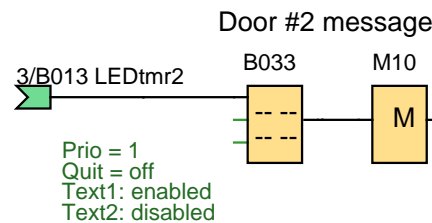
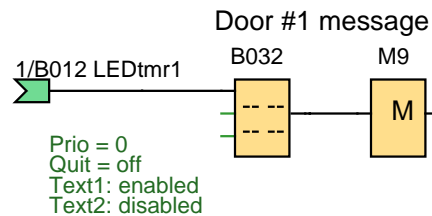
## Q3

Q3  
Kitchen Panel  
LED indicator  
for DOOR #2

Creator:	JBL	DFD Lineshop	Project:	Doorbells	Customer:	
Checked:	9-12-18		Installation:	Station 18	Diagram No.:	
Date:	5/15/13 7:02 AM/6/10/22 9:02 AM		File:	Sta 18 Drbells 9-12-18.lsc	Page:	4 / 14

# Station 18 Doorbells

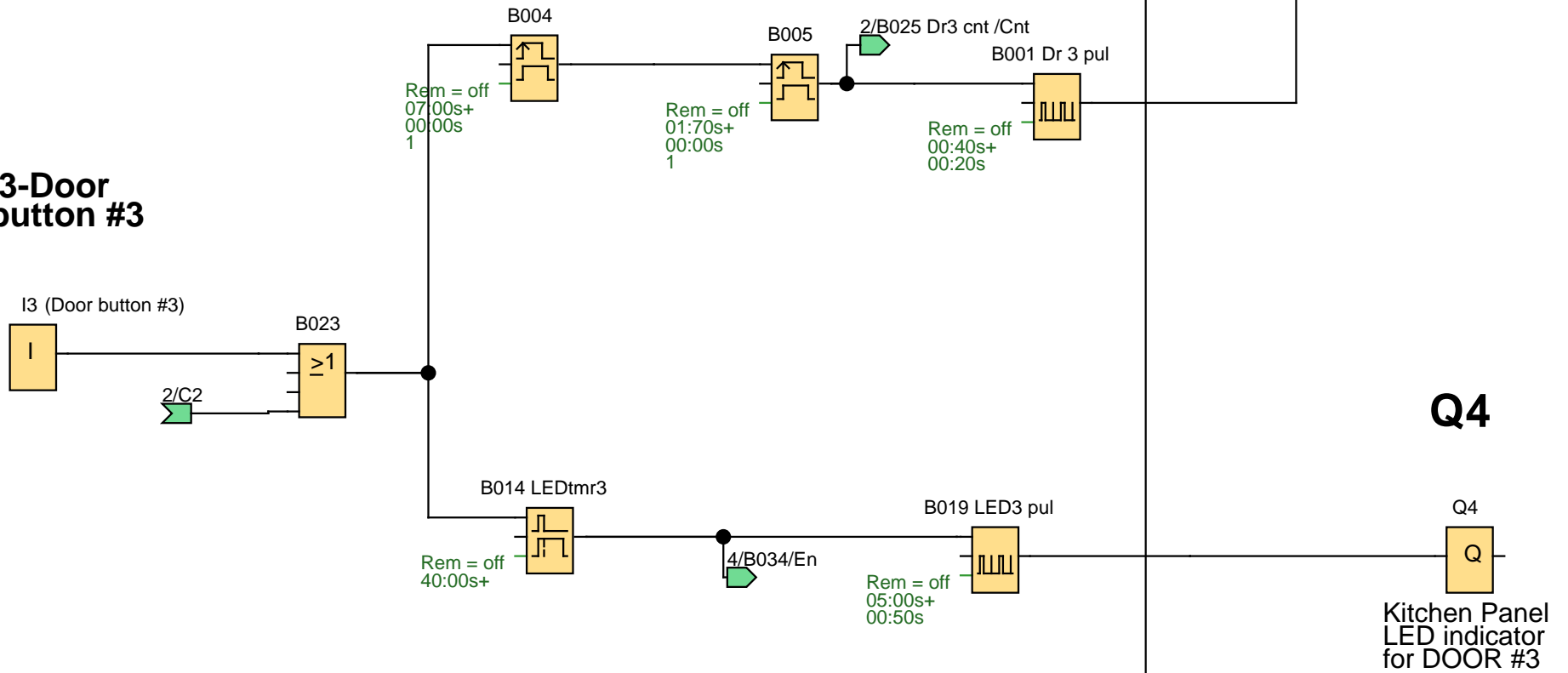
## MESSAGE SECTION



Creator:	JBL	DFD Lineshop	Project:	Doorbells	Customer:	
Checked:	9-12-18		Installation:	Station 18	Diagram No.:	
Date:	5/15/13 7:02 AM/6/10/22 9:02 AM		File:	Sta 18 Drbells 9-12-18.lsc	Page:	5 / 14

# Station 18 Doorbells

## I3-Door button #3



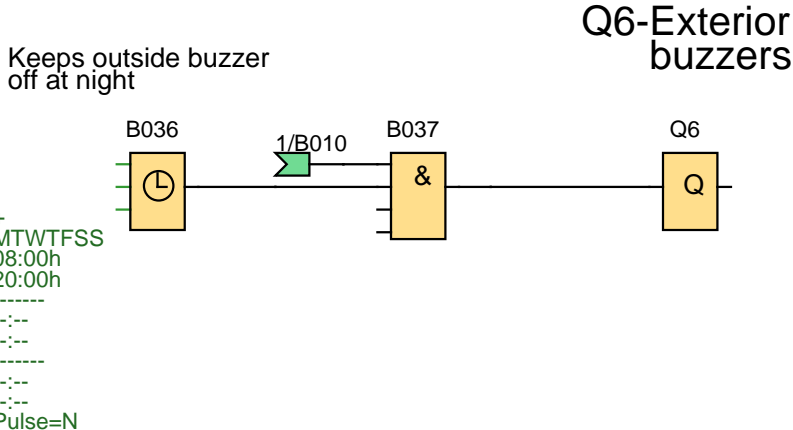
**Q4**

Q4  
Kitchen Panel  
LED indicator  
for DOOR #3

pg 3

Creator:	JBL	Project:	Doorbells	Customer:	
Checked:	9-12-18	Installation:	Station 18	Diagram No.:	
Date:	5/15/13 7:02 AM/6/10/22 9:02 AM	File:	Sta 18 Drbells 9-12-18.lsc	Page:	6 / 14

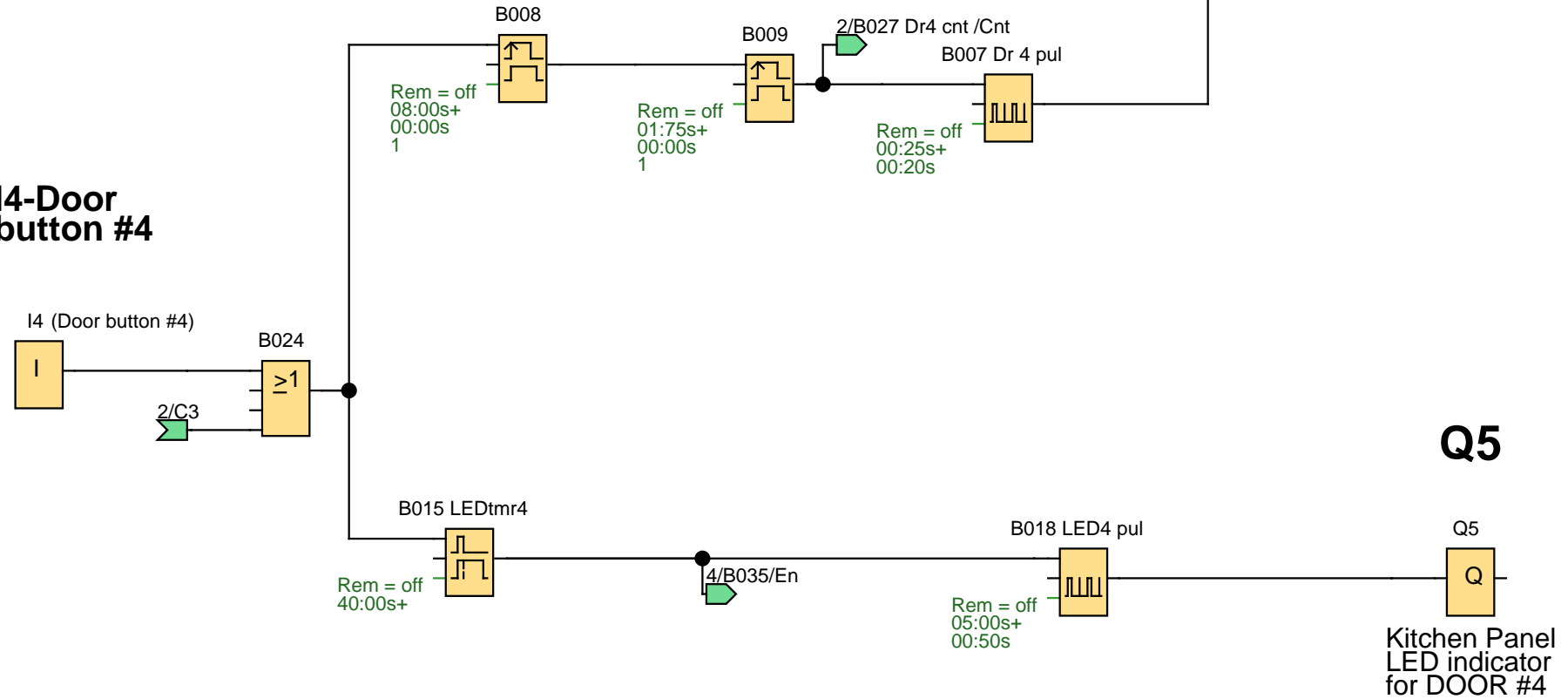
# Station 18 Doorbells



Creator:	JBL	DFD Lineshop	Project:	Doorbells	Customer:	
Checked:	9-12-18		Installation:	Station 18	Diagram No.:	
Date:	5/15/13 7:02 AM/6/10/22 9:02 AM		File:	Sta 18 Drbells 9-12-18.lsc	Page:	7 / 14

# Station 18 Doorbells

## I4-Door button #4



**Q5**

Q5  
Kitchen Panel  
LED indicator  
for DOOR #4

Creator:	JBL	DFD Lineshop	Project:	Doorbells	Customer:	
Checked:	9-12-18		Installation:	Station 18	Diagram No.:	
Date:	5/15/13 7:02 AM/6/10/22 9:02 AM		File:	Sta 18 Drbells 9-12-18.lsc	Page:	8 / 14

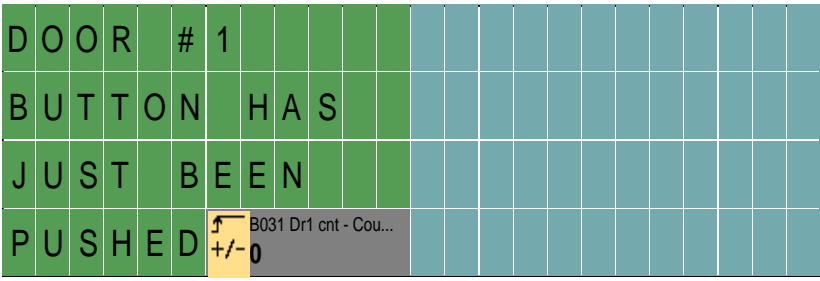
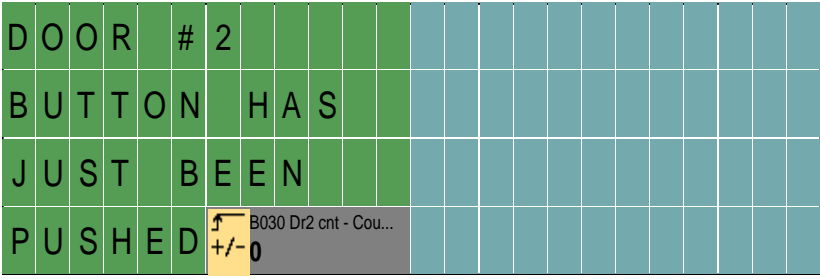
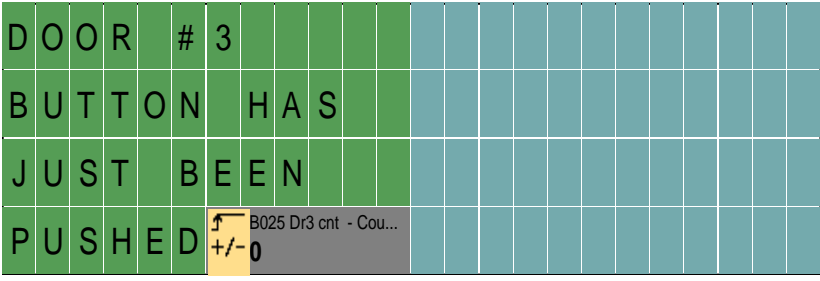


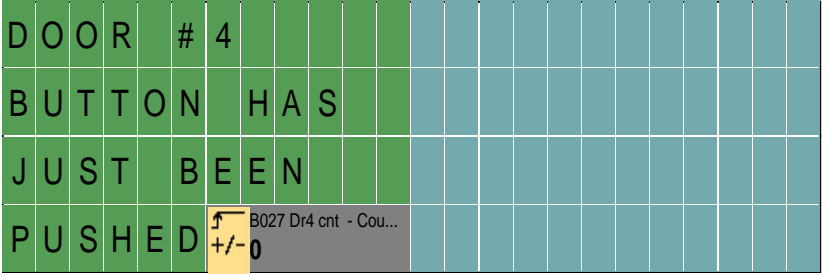


Creator:	JBL	DFD Lineshop	Project:	Doorbells	Customer:	
Checked:	9-12-18		Installation:	Station 18	Diagram No.:	
Date:	5/15/13 7:02 AM/6/10/22 9:02 AM		File:	Sta 18 Drbells 9-12-18.lsc	Page:	9 / 14

Block Number (Type)	Parameter
B001 Dr 3 pul(Asynchronous pulse generator) :	Rem = off 00:40s+ 00:20s
B002(Edge-triggered interval time-delay relay) :	Rem = off 07:00s+ 00:00s 1
B003(Edge-triggered interval time-delay relay) :	Rem = off 01:60s+ 00:00s 1
B004(Edge-triggered interval time-delay relay) :	Rem = off 07:00s+ 00:00s 1
B005(Edge-triggered interval time-delay relay) :	Rem = off 01:70s+ 00:00s 1
B007 Dr 4 pul(Asynchronous pulse generator) :	Rem = off 00:25s+ 00:20s
B008(Edge-triggered interval time-delay relay) :	Rem = off 08:00s+ 00:00s 1
B009(Edge-triggered interval time-delay relay) :	Rem = off 01:75s+ 00:00s 1
B012 LEDtmr1 (Off-delay) :	Rem = off 40:00s+
B013 LEDtmr2(Off-delay) :	Rem = off 40:00s+
B014 LEDtmr3(Off-delay) :	Rem = off 40:00s+
B015 LEDtmr4(Off-delay) :	Rem = off 40:00s+
B016 LED1 pul(Asynchronous pulse generator) :	Rem = off 05:00s+ 00:50s
B017 LED2 pul(Asynchronous pulse generator) :	Rem = off 05:00s+ 00:50s
B018 LED4 pul(Asynchronous pulse generator) :	Rem = off 05:00s+ 00:50s
B019 LED3 pul(Asynchronous pulse generator) :	Rem = off 05:00s+ 00:50s
B025 Dr3 cnt (Up/Down counter) : Door #3 button counter	Rem = on On=0+ Off=0 Start=0
B026 Dr 2 pul(Asynchronous pulse generator) :	Rem = off 00:65s+ 00:50s
B027 Dr4 cnt (Up/Down counter) : Door #4 button counter	Rem = on On=0+ Off=0 Start=0

Creator:	JBL	DFD Lineshop	Project:	Doorbells	Customer:	
Checked:	9-12-18		Installation:	Station 18	Diagram No.:	
Date:	5/15/13 7:02 AM/6/10/22 9:02 AM		File:	Sta 18 Drbells 9-12-18.isc	Page:	10 / 14

Block Number (Type)	Parameter
B028(Edge-triggered interval time-delay relay) :	Rem = off 07:00s+ 00:00s 1
B029(Edge-triggered interval time-delay relay) :	Rem = off 02:00s+ 00:00s 1
B030 Dr2 cnt(Up/Down counter) : Door #2 button counter	Rem = on On=0+ Off=0 Start=0
B031 Dr1 cnt(Up/Down counter) : Door #1 button counter	Rem = on On=0+ Off=0 Start=0
<p>B032(Message texts) : Door #1 message</p>  <p>Line4.7 B031 Dr1 cnt-Cnt</p>	<p>Prio = 0 Quit = off Text1: enabled Text2: disabled</p> <p>--&gt; Ticker setting - CBC - Line1: N - Line2: N - Line3: N - Line4: N Message Destination - Both</p>
<p>B033(Message texts) : Door #2 message</p>  <p>Line4.7 B030 Dr2 cnt-Cnt</p>	<p>Prio = 1 Quit = off Text1: enabled Text2: disabled</p> <p>--&gt; Ticker setting - CBC - Line1: N - Line2: N - Line3: N - Line4: N Message Destination - Both</p>
<p>B034(Message texts) : Door #3 message</p>  <p>Line4.7 B025 Dr3 cnt -Cnt</p>	<p>Prio = 2 Quit = off Text1: enabled Text2: disabled</p> <p>--&gt; Ticker setting - CBC - Line1: N - Line2: N - Line3: N - Line4: N Message Destination - Both</p>

Block Number (Type)	Parameter																			
<p>B035(Message texts) : Door #4 message</p>  <p>Line4.7 B027 Dr4 cnt -Cnt</p>	<p>Prio = 3 Quit = off Text1: ISO8859_1/Both/CBC =DOOR #4 =BUTTON HAS =JUST BEEN =PUSHED(B027 Dr4 cnt -Cnt) Text2: disabled</p> <p>--&gt; Ticker setting - CBC - Line1: N - Line2: N - Line3: N - Line4: N Message Destination - Both</p>																			
<p>B036(Seven-day time switch) : Keeps outside buzzer off at night</p>	<p>+ MTWTFSS 08:00h 20:00h ----- -:-:- -:-:- ----- -:-:- -:-:- ----- Pulse=N</p>																			
<p>C1 (Cursor key) : DOOR #1</p>																				
<p>C2 (Cursor key) : DOOR #3</p>																				
<p>C3 (Cursor key) : DOOR #4</p>																				
<p>C4 (Cursor key) : DOOR #2</p>																				
<p>I1(Input) : 1-Door button #1</p>																				
<p>I2(Input) : 2-Door button #2</p>																				
<p>I3(Input) : 3-Door button #3</p>																				
<p>I4(Input) : 4-Door button #4</p>																				
<p>Q1(Output) : Q1 Interior Buzzers</p>																				
<p>Q2(Output) : Kitchen Panel LED indicator for DOOR #1</p>																				
<p>Q3(Output) : Kitchen Panel LED indicator for DOOR #2</p>																				
<p>Q4(Output) : Kitchen Panel LED indicator for DOOR #3</p>																				
<table border="1"> <tr> <td data-bbox="74 1942 248 1969">Creator:</td> <td data-bbox="248 1942 586 1969">JBL</td> <td data-bbox="586 1942 776 1969" rowspan="3">DFD Lineshop</td> <td data-bbox="776 1942 911 1969">Project:</td> <td data-bbox="911 1942 1159 1969">Doorbells</td> <td data-bbox="1159 1942 1294 1969">Customer:</td> <td data-bbox="1294 1942 1546 1969"></td> </tr> <tr> <td data-bbox="74 1969 248 1997">Checked:</td> <td data-bbox="248 1969 586 1997">9-12-18</td> <td data-bbox="776 1969 911 1997">Installation:</td> <td data-bbox="911 1969 1159 1997">Station 18</td> <td data-bbox="1159 1969 1294 1997">Diagram No.:</td> <td data-bbox="1294 1969 1546 1997"></td> </tr> <tr> <td data-bbox="74 1997 248 2024">Date:</td> <td data-bbox="248 1997 586 2024">5/15/13 7:02 AM/6/10/22 9:02 AM</td> <td data-bbox="776 1997 911 2024">File:</td> <td data-bbox="911 1997 1159 2024">Sta 18 Drbells 9-12-18.lsc</td> <td data-bbox="1159 1997 1294 2024">Page:</td> <td data-bbox="1294 1997 1546 2024">12 / 14</td> </tr> </table>		Creator:	JBL	DFD Lineshop	Project:	Doorbells	Customer:		Checked:	9-12-18	Installation:	Station 18	Diagram No.:		Date:	5/15/13 7:02 AM/6/10/22 9:02 AM	File:	Sta 18 Drbells 9-12-18.lsc	Page:	12 / 14
Creator:	JBL	DFD Lineshop	Project:		Doorbells	Customer:														
Checked:	9-12-18		Installation:		Station 18	Diagram No.:														
Date:	5/15/13 7:02 AM/6/10/22 9:02 AM		File:	Sta 18 Drbells 9-12-18.lsc	Page:	12 / 14														

Block Number (Type)	Parameter
Q5(Output) : Kitchen Panel LED indicator for DOOR #4	
Q6(Output) : Q6-Exterior buzzers	

Creator:	JBL	DFD Lineshop	Project:	Doorbells	Customer:	
Checked:	9-12-18		Installation:	Station 18	Diagram No.:	
Date:	5/15/13 7:02 AM/6/10/22 9:02 AM		File:	Sta 18 Drbells 9-12-18.lsc	Page:	13 / 14

Connection	Label
C1	
C2	
C3	
C4	
I1	Door button #1
I2	Door button #2
I3	Door button #3
I4	Door button #4
M5	
M6	
M7	
M9	
M10	
M11	
M12	
M13	
Q1	Buzzer
Q2	
Q3	
Q4	
Q5	
Q6	

Creator:	JBL	DFD Lineshop	Project:	Doorbells	Customer:	
Checked:	9-12-18		Installation:	Station 18	Diagram No.:	
Date:	5/15/13 7:02 AM/6/10/22 9:02 AM		File:	Sta 18 Drbells 9-12-18.lsc	Page:	14 / 14