

Comment

reworked for contact bounce on counters,YES
6-23-17 reworked alot of the program to accomodate shot clock and update prgrm
5-14-20 installed new Smart f type relay here, all counts to zero, redwnld
6-16-20 cnts read frnt east dr 39, frnt cntr dr 46, frnt west dr 194, bck east dr 86, bck cntr dr 63, bck west dr 202, ex fan cnt 215,
ex fan hrs 7:58, tweak prgrm re dwn ld, all counts to zero
2-9-22 switched over to city IP address, good onloine tests, counts read== frnteast 1313, frntcent 1015, frntwest 5419, backeast
1975, backcent 1383, backwest 5471, exfancnt 5860, exfanhrs 278hr 10 min, all reset to zero, verified FS-04 type yes

Creator:	JBL	DFD Lineshop	Project:	Sta 18 doors	Customer:	Denver Fire Department
Checked:	2-9-22		Installation:	upgrade smart f type ver 8	Diagram No.:	
Date:	3/14/13 2:25 PM/6/10/22 9:02 AM		File:	Sta 18 drs 2-9-22.lsc	Page:	1 / 20

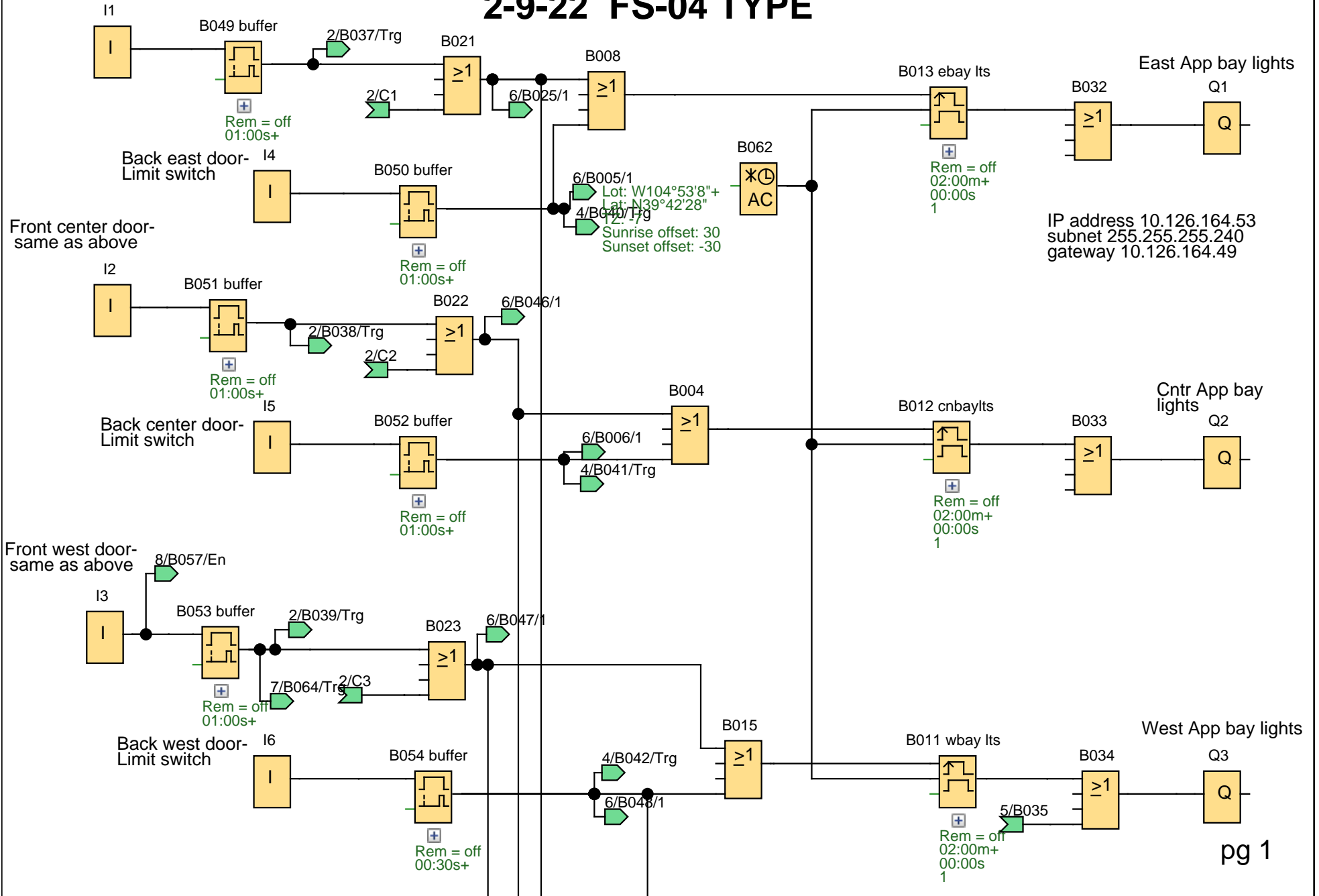
Module Address

IP Address 10.126.164.53
Subnet Mask: 255.255.255.240
Default gateway 10.126.164.49

Creator:	JBL	DFD Lineshop	Project:	Sta 18 doors	Customer:	Denver Fire Department
Checked:	2-9-22		Installation:	upgrade smart f type ver 8	Diagram No.:	
Date:	3/14/13 2:25 PM/6/10/22 9:02 AM		File:	Sta 18 drs 2-9-22.isc	Page:	2 / 20

Front east door-Input wires to a N.O. contact in door controller #264, 265

Station 18 Overhead Door/Bat wing controls- 2-9-22 FS-04 TYPE



IP address 10.126.164.53
subnet 255.255.255.240
gateway 10.126.164.49

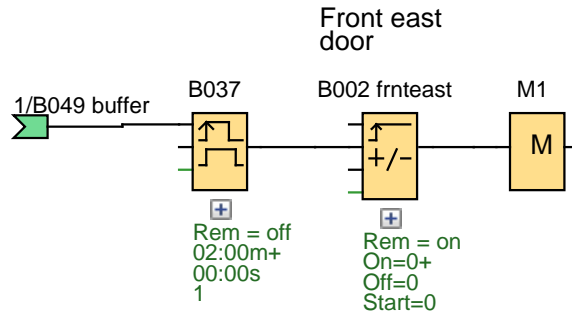
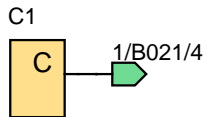
Creator:	JBL	DFD Lineshop	Project:	Sta 18 doors	Customer:	Denver Fire Department
Checked:	2-9-22		Installation:	upgrade smart f type ver 8	Diagram No.:	
Date:	3/14/13 2:25 PM/6/10/22 9:02 AM		File:	Sta 18 drs 2-9-22.isc	Page:	3 / 20

Sta 18

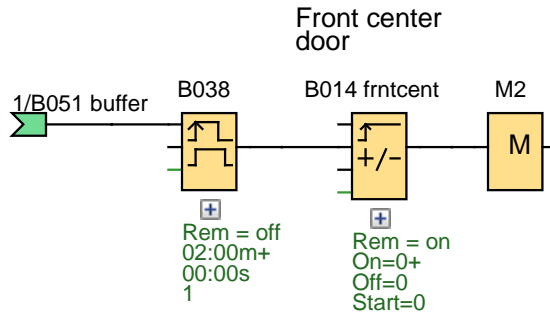
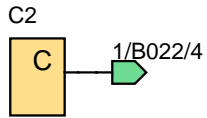
CURSOR SECTION

COUNTING SECTION

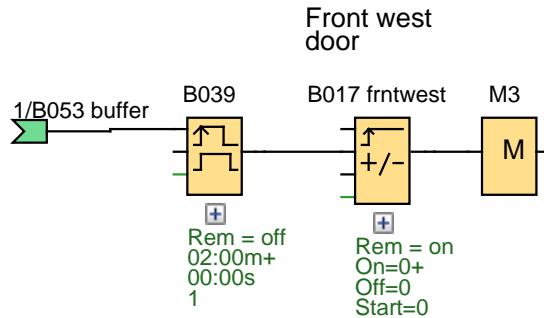
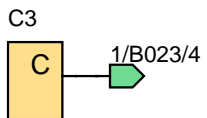
Simulates front east door opening



Simulates front center door opening

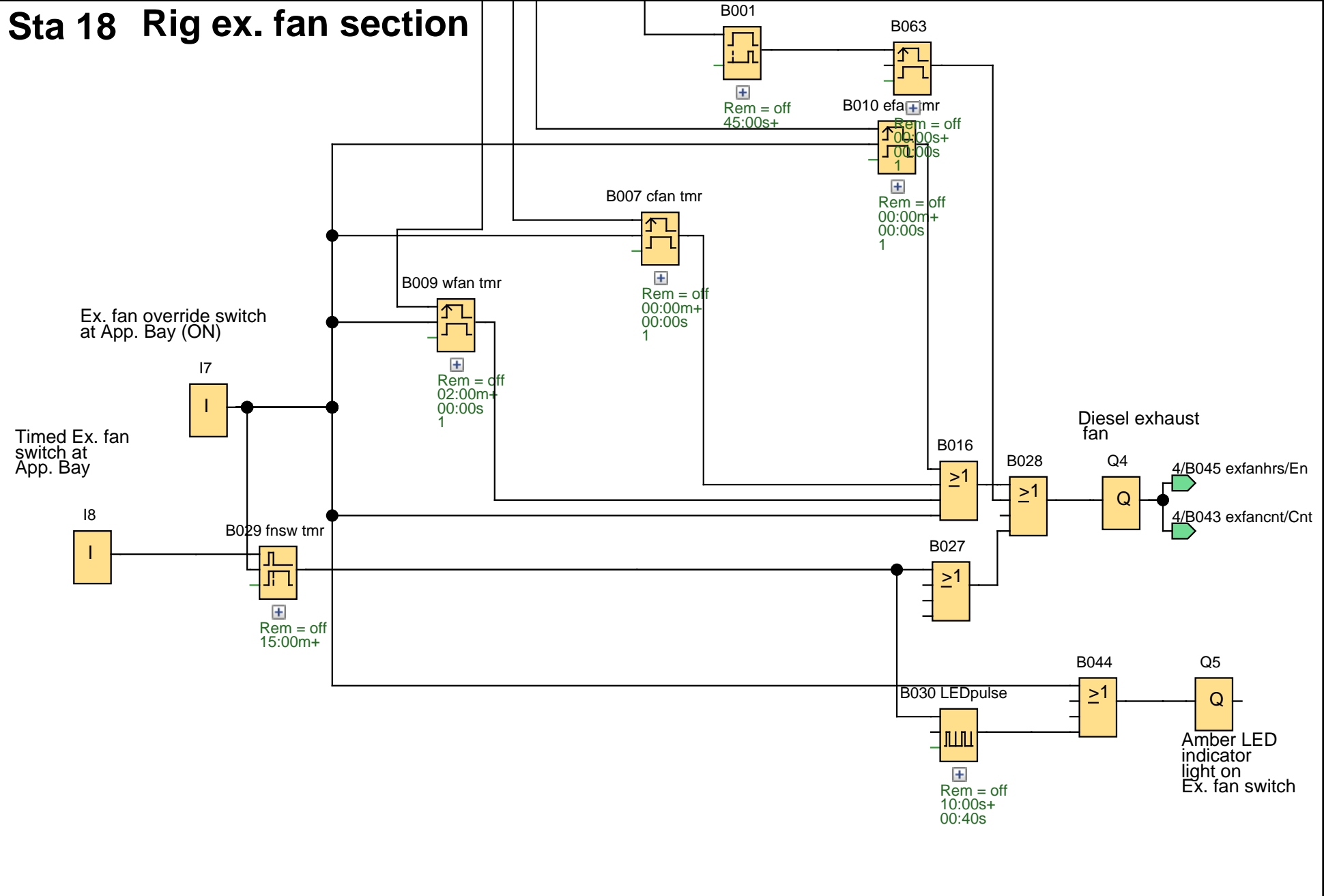


Simulates front west door opening



Creator:	JBL	DFD Lineshop	Project:	Sta 18 doors	Customer:	Denver Fire Department
Checked:	2-9-22		Installation:	upgrade smart f type ver 8	Diagram No.:	
Date:	3/14/13 2:25 PM/6/10/22 9:02 AM		File:	Sta 18 drs 2-9-22.isc	Page:	4 / 20

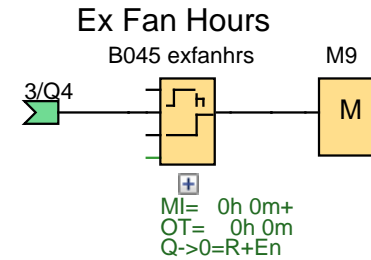
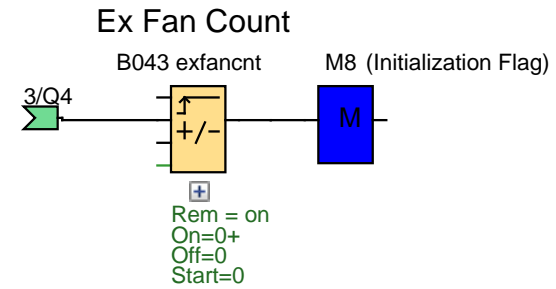
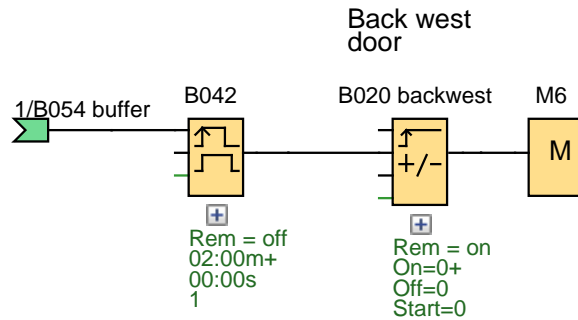
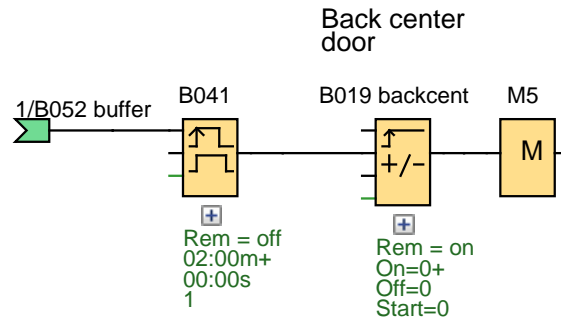
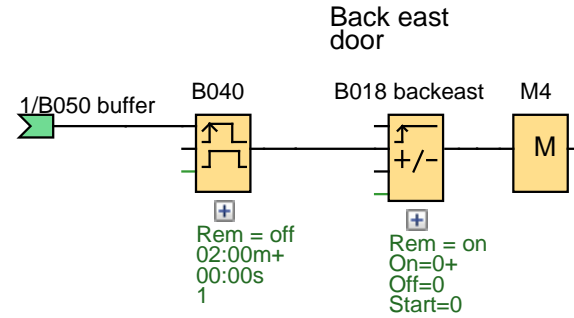
Sta 18 Rig ex. fan section



Creator:	JBL	Project:	Sta 18 doors	Customer:	Denver Fire Department
Checked:	2-9-22	Installation:	upgrade smart f type ver 8	Diagram No.:	
Date:	3/14/13 2:25 PM/6/10/22 9:02 AM	DFD Lineshop	File:	Sta 18 drs 2-9-22.isc	Page:
					5 / 20

Sta 18

COUNTING SECTION

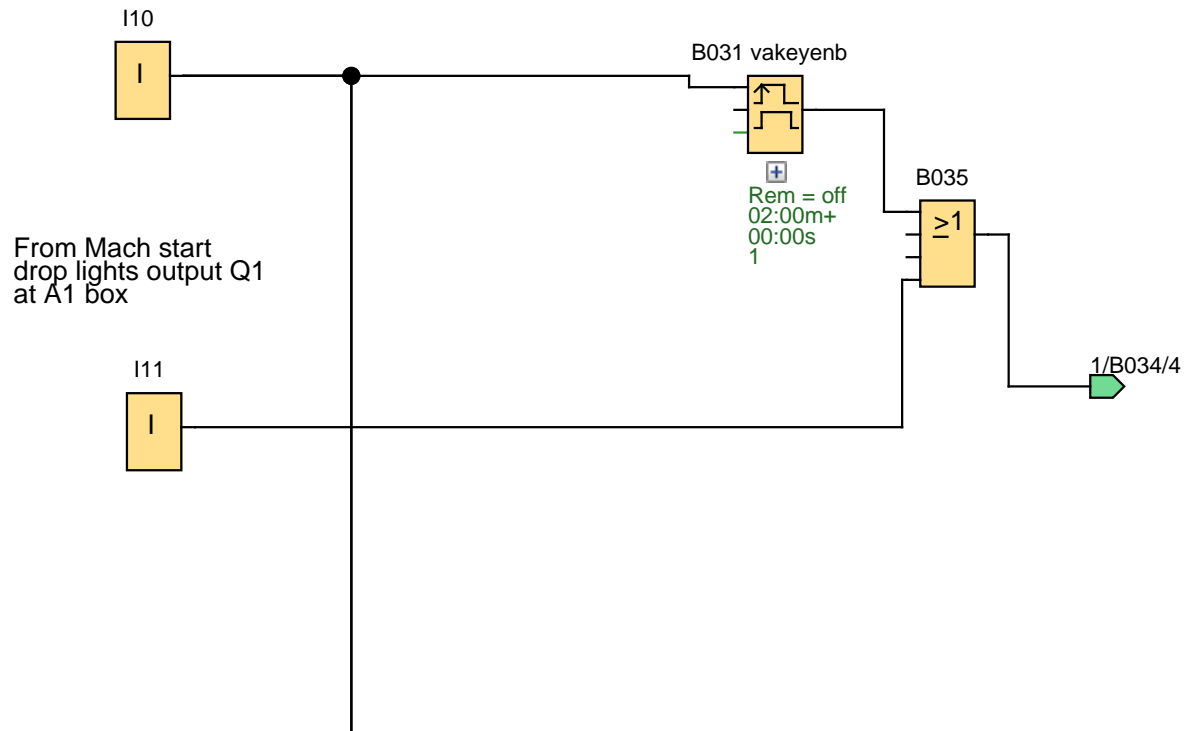


Creator:	JBL	DFD Lineshop	Project:	Sta 18 doors	Customer:	Denver Fire Department
Checked:	2-9-22		Installation:	upgrade smart f type ver 8	Diagram No.:	
Date:	3/14/13 2:25 PM/6/10/22 9:02 AM		File:	Sta 18 drs 2-9-22.isc	Page:	6 / 20

Sta 18

Section of other sources of influence on Apparatus bay lights

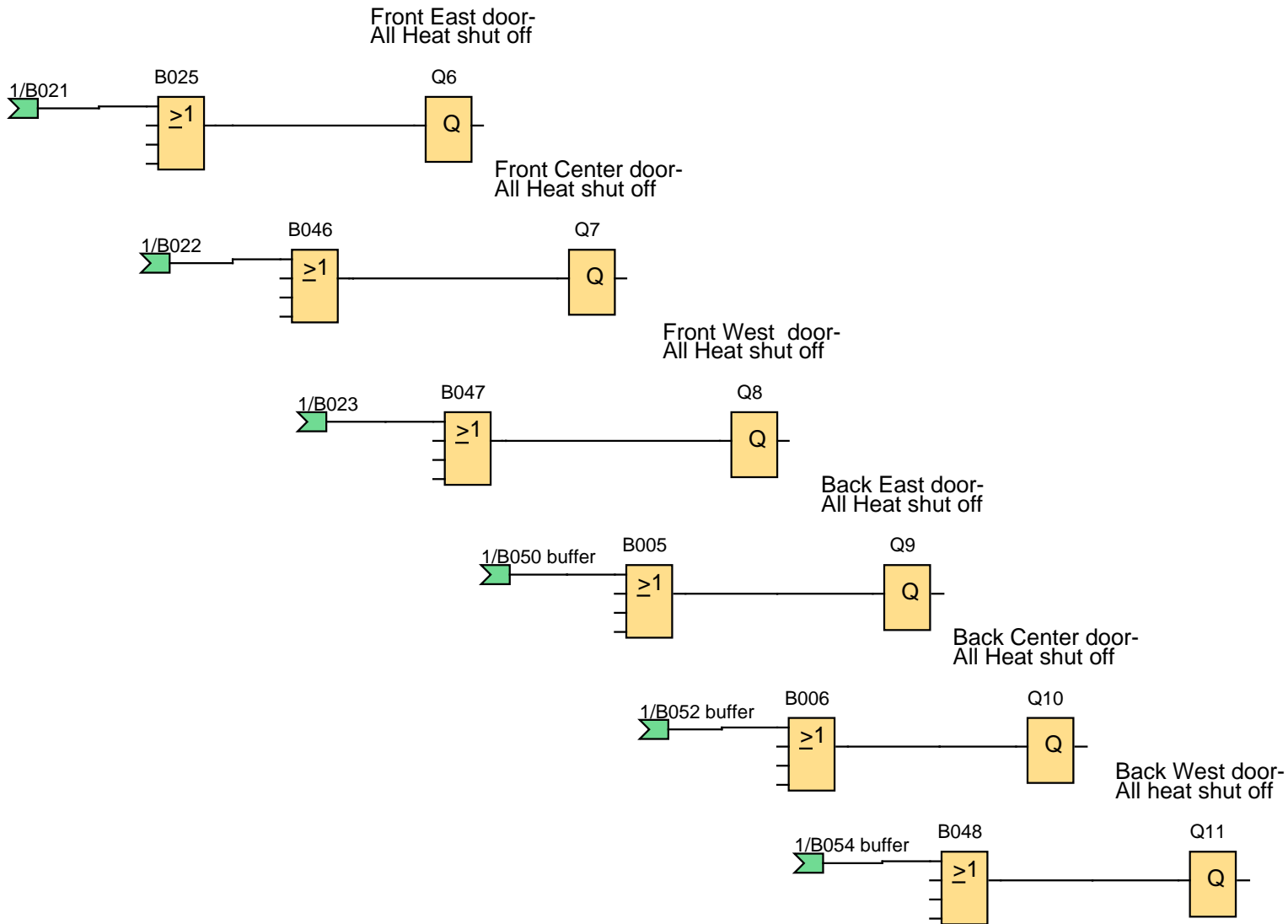
VOCALARM
Relay contact
from A1 box -Input I1
VA enable key



Creator:	JBL	DFD Lineshop	Project:	Sta 18 doors	Customer:	Denver Fire Department
Checked:	2-9-22		Installation:	upgrade smart f type ver 8	Diagram No.:	
Date:	3/14/13 2:25 PM/6/10/22 9:02 AM		File:	Sta 18 drs 2-9-22.lsc	Page:	7 / 20

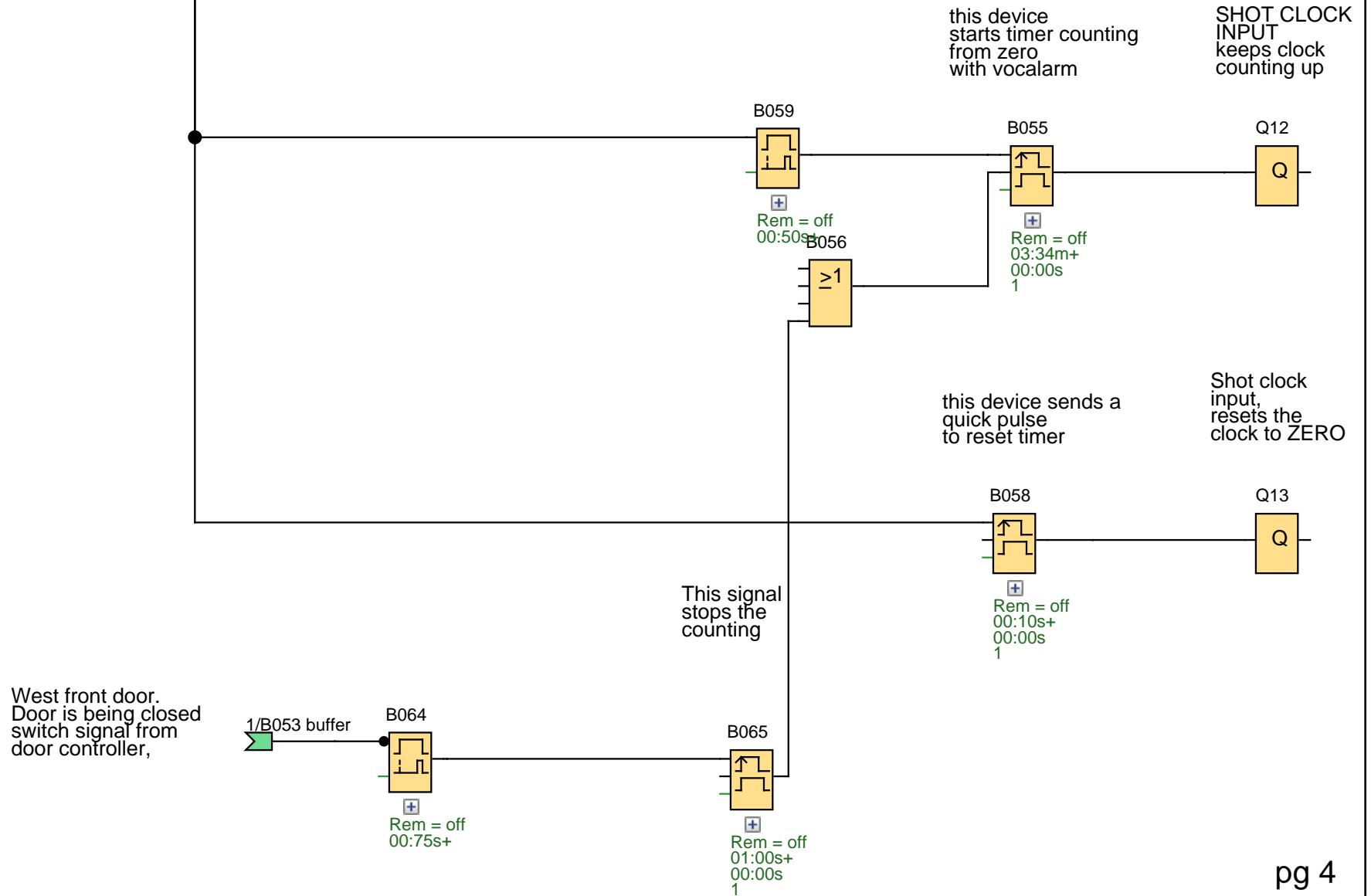
Sta 18 - Third party, App. Bay heaters "shut off" section

This section deals with shutting heat off when a door is open. This was installed when the building was built and it goes to HVAC control program, somehow??



Creator:	JBL	Project:	Sta 18 doors	Customer:	Denver Fire Department
Checked:	2-9-22	Installation:	upgrade smart f type ver 8	Diagram No.:	
Date:	3/14/13 2:25 PM/6/10/22 9:02 AM	File:	Sta 18 drs 2-9-22.isc	Page:	8 / 20

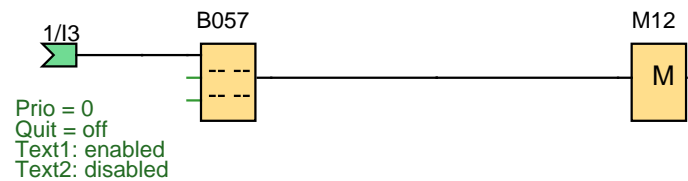
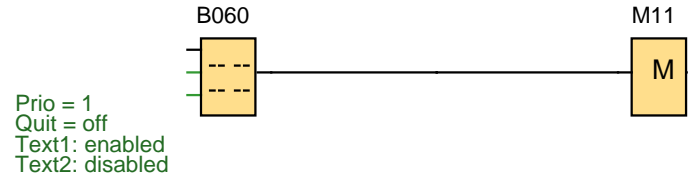
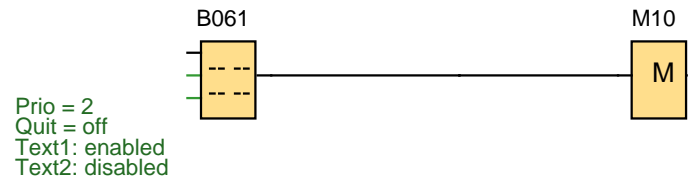
Sta 18 SHOT CLOCK SECTION



Creator:	JBL	Project:	Sta 18 doors	Customer:	Denver Fire Department	
Checked:	2-9-22	Installation:	upgrade smart f type ver 8	Diagram No.:		
Date:	3/14/13 2:25 PM/6/10/22 9:02 AM	DFD Lineshop	File:	Sta 18 drs 2-9-22.isc	Page:	9 / 20

Sta 18

MESSAGE SECTION



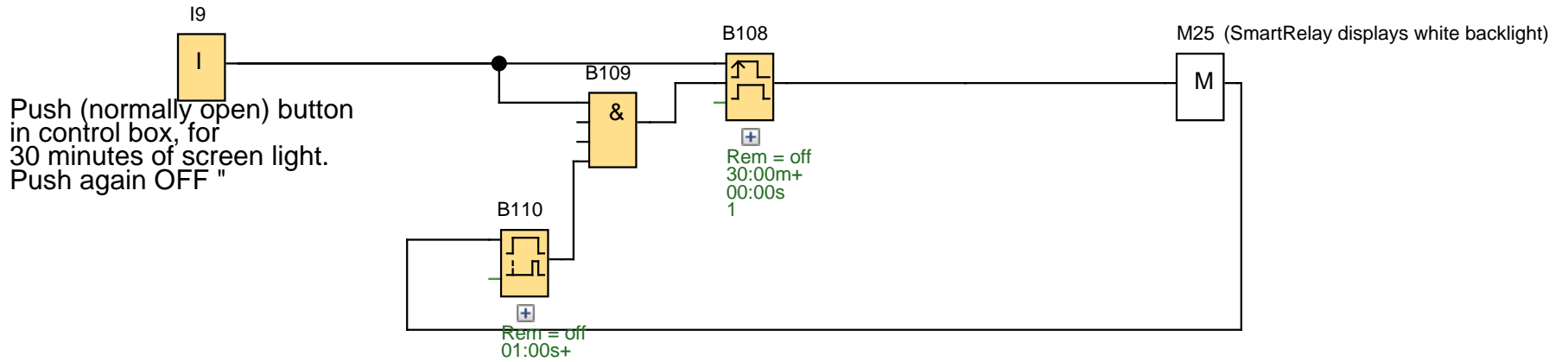
Creator:	JBL	DFD Lineshop	Project:	Sta 18 doors	Customer:	Denver Fire Department
Checked:	2-9-22		Installation:	upgrade smart f type ver 8	Diagram No.:	
Date:	3/14/13 2:25 PM/6/10/22 9:02 AM		File:	Sta 18 drs 2-9-22.lsc	Page:	10 / 20



Creator:	JBL	DFD Lineshop	Project:	Sta 18 doors	Customer:	Denver Fire Department
Checked:	2-9-22		Installation:	upgrade smart f type ver 8	Diagram No.:	
Date:	3/14/13 2:25 PM/6/10/22 9:02 AM		File:	Sta 18 drs 2-9-22.lsc	Page:	11 / 20

Sta 18

I9- SMART RELAY display screen light



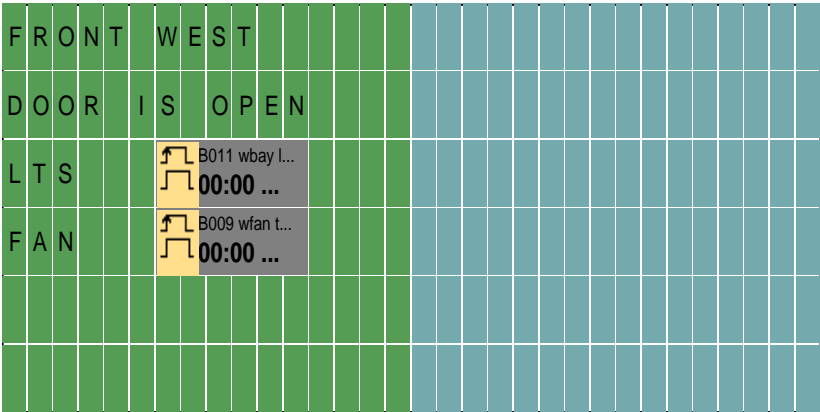
Creator:	JBL	DFD Lineshop	Project:	Sta 18 doors	Customer:	Denver Fire Department
Checked:	2-9-22		Installation:	upgrade smart f type ver 8	Diagram No.:	
Date:	3/14/13 2:25 PM/6/10/22 9:02 AM		File:	Sta 18 drs 2-9-22.lsc	Page:	12 / 20

Block Number (Type)	Parameter
B001(On-delay) :	Rem = off 45:00s+
B002 frnteast(Up/Down counter) : Front east door	Rem = on On=0+ Off=0 Start=0
B007 cfan tmr(Edge-triggered interval time-delay relay) :	Rem = off 00:00m+ 00:00s 1
B009 wfan tmr(Edge-triggered interval time-delay relay) :	Rem = off 02:00m+ 00:00s 1
B010 efan tmr(Edge-triggered interval time-delay relay) :	Rem = off 00:00m+ 00:00s 1
B011 wbay lts(Edge-triggered interval time-delay relay) :	Rem = off 02:00m+ 00:00s 1
B012 cnbaylts(Edge-triggered interval time-delay relay) :	Rem = off 02:00m+ 00:00s 1
B013 ebay lts(Edge-triggered interval time-delay relay) :	Rem = off 02:00m+ 00:00s 1
B014 frntcent(Up/Down counter) : Front center door	Rem = on On=0+ Off=0 Start=0
B017 frntwest(Up/Down counter) : Front west door	Rem = on On=0+ Off=0 Start=0
B018 backeast(Up/Down counter) : Back east door	Rem = on On=0+ Off=0 Start=0
B019 backcent(Up/Down counter) : Back center door	Rem = on On=0+ Off=0 Start=0
B020 backwest(Up/Down counter) : Back west door	Rem = on On=0+ Off=0 Start=0
B029 fnsw tmr(Off-delay) :	Rem = off 15:00m+
B030 LEDpulse(Asynchronous pulse generator) :	Rem = off 10:00s+ 00:40s
B031 vakeyenb(Edge-triggered interval time-delay relay) :	Rem = off 02:00m+ 00:00s 1
B037(Edge-triggered interval time-delay relay) :	Rem = off 02:00m+ 00:00s 1

Creator:	JBL	DFD Lineshop	Project:	Sta 18 doors	Customer:	Denver Fire Department
Checked:	2-9-22		Installation:	upgrade smart f type ver 8	Diagram No.:	
Date:	3/14/13 2:25 PM/6/10/22 9:02 AM		File:	Sta 18 drs 2-9-22.lsc	Page:	13 / 20

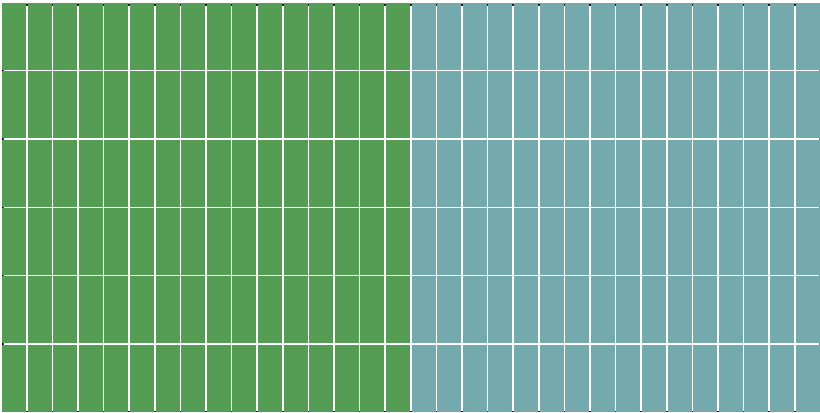
Block Number (Type)	Parameter
B038(Edge-triggered interval time-delay relay) :	Rem = off 02:00m+ 00:00s 1
B039(Edge-triggered interval time-delay relay) :	Rem = off 02:00m+ 00:00s 1
B040(Edge-triggered interval time-delay relay) :	Rem = off 02:00m+ 00:00s 1
B041(Edge-triggered interval time-delay relay) :	Rem = off 02:00m+ 00:00s 1
B042(Edge-triggered interval time-delay relay) :	Rem = off 02:00m+ 00:00s 1
B043 exfancnt(Up/Down counter) : Ex Fan Count	Rem = on On=0+ Off=0 Start=0
B045 exfanhrs(Operating hours counter) : Ex Fan Hours	Ml= 0h 0m+ OT= 0h 0m Q->0=R+En
B049 buffer(On-delay) :	Rem = off 01:00s+
B050 buffer(On-delay) :	Rem = off 01:00s+
B051 buffer(On-delay) :	Rem = off 01:00s+
B052 buffer(On-delay) :	Rem = off 01:00s+
B053 buffer(On-delay) :	Rem = off 01:00s+
B054 buffer(On-delay) :	Rem = off 00:30s+
B055(Edge-triggered interval time-delay relay) : this device starts timer counting from zero with vocalarm	Rem = off 03:34m+ 00:00s 1

Creator:	JBL	DFD Lineshop	Project:	Sta 18 doors	Customer:	Denver Fire Department
Checked:	2-9-22		Installation:	upgrade smart f type ver 8	Diagram No.:	
Date:	3/14/13 2:25 PM/6/10/22 9:02 AM		File:	Sta 18 drs 2-9-22.lsc	Page:	14 / 20

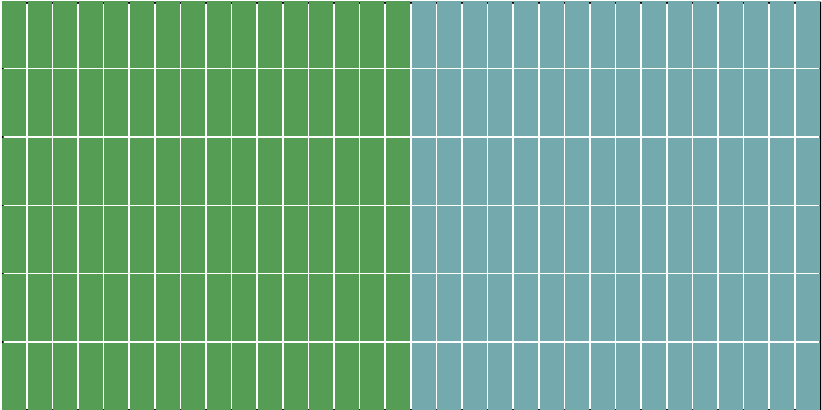
Block Number (Type)	Parameter
<p>B057(Message texts) :</p>  <p>Line3.7 B011 wbay lts-THRest Line4.7 B009 wfan tmr-THRest</p>	<p>Prio = 0 Quit = off Text1: enabled Text2: disabled</p> <p>--> Ticker setting - CBC - Line1: N - Line2: N - Line3: N - Line4: N - Line5: N - Line6: N Message Destination - Both</p>

<p>B058(Edge-triggered interval time-delay relay) : this device sends a quick pulse to reset timer</p>	<p>Rem = off 00:10s+ 00:00s 1</p>
--	---

<p>B059(On-delay) :</p>	<p>Rem = off 00:50s+</p>
-------------------------	------------------------------

<p>B060(Message texts) :</p> 	<p>Prio = 1 Quit = off Text1: enabled Text2: disabled</p> <p>--> Ticker setting - CBC - Line1: N - Line2: N - Line3: N - Line4: N - Line5: N - Line6: N Message Destination - Both</p>
--	---

Creator:	JBL	DFD Lineshop	Project:	Sta 18 doors	Customer:	Denver Fire Department
Checked:	2-9-22		Installation:	upgrade smart f type ver 8	Diagram No.:	
Date:	3/14/13 2:25 PM/6/10/22 9:02 AM		File:	Sta 18 drs 2-9-22.lsc	Page:	15 / 20

Block Number (Type)	Parameter					
B061(Message texts) : 	Prio = 2 Quit = off Text1: enabled Text2: disabled Ticker setting - CBC - Line1: N - Line2: N - Line3: N - Line4: N - Line5: N - Line6: N Message Destination - Both					
B062(Astronomical clock) :	Lot: W104°53'8"+ Lat: N39°42'28" TZ: -7 Sunrise offset: 30 Sunset offset: -30					
B063(Edge-triggered interval time-delay relay) :	Rem = off 00:00s+ 00:00s 1					
B064(On-delay) :	Rem = off 00:75s+					
B065(Edge-triggered interval time-delay relay) :	Rem = off 01:00s+ 00:00s 1					
B108(Edge-triggered interval time-delay relay) :	Rem = off 30:00m+ 00:00s 1					
B110(On-delay) :	Rem = off 01:00s+					
C1 (Cursor key) : Simulates front east door opening						
C2 (Cursor key) : Simulates front center door opening						
C3 (Cursor key) : Simulates front west door opening						
I1(Input) : Front east door-Input wires to a N.O. contact in door controller #264, 265						
I2(Input) : Front center door- same as above						
I3(Input) : Front west door- same as above						
I4(Input) : Back east door- Limit switch						
Creator:	JBL	DFD Lineshop	Project:	Sta 18 doors	Customer:	Denver Fire Department
Checked:	2-9-22		Installation:	upgrade smart f type ver 8	Diagram No.:	
Date:	3/14/13 2:25 PM/6/10/22 9:02 AM		File:	Sta 18 drs 2-9-22.lsc	Page:	16 / 20

Block Number (Type)	Parameter
I5(Input) : Back center door- Limit switch	
I6(Input) : Back west door- Limit switch	
I7(Input) : Ex. fan override switch at App. Bay (ON)	
I8(Input) : Timed Ex. fan switch at App. Bay	
I10(Input) : VOCALARM Relay contact from A1 box -Input I1 VA enable key	
I11(Input) : From Mach start drop lights output Q1 at A1 box	
Q1(Output) : East App bay lights	
Q2(Output) : Cntr App bay lights	
Q3(Output) : West App bay lights	
Q4(Output) : Diesel exhaust fan	
Q5(Output) : Amber LED indicator light on Ex. fan switch	
Q6(Output) : Front East door- All Heat shut off	
Q7(Output) : Front Center door- All Heat shut off	
Q8(Output) : Front West door- All Heat shut off	
Q9(Output) : Back East door- All Heat shut off	
Q10(Output) : Back Center door- All Heat shut off	
Q11(Output) : Back West door- All heat shut off	
Q12(Output) : SHOT CLOCK INPUT keeps clock counting up	

Creator:	JBL	DFD Lineshop	Project:	Sta 18 doors	Customer:	Denver Fire Department
Checked:	2-9-22		Installation:	upgrade smart f type ver 8	Diagram No.:	
Date:	3/14/13 2:25 PM/6/10/22 9:02 AM		File:	Sta 18 drs 2-9-22.lsc	Page:	17 / 20

Block Number (Type)	Parameter
Q13(Output) : Shot clock input resets the clock to ZERO	

--	--	--	--	--	--

Creator:	JBL	DFD Lineshop	Project:	Sta 18 doors	Customer:	Denver Fire Department
Checked:	2-9-22		Installation:	upgrade smart f type ver 8	Diagram No.:	
Date:	3/14/13 2:25 PM/6/10/22 9:02 AM		File:	Sta 18 drs 2-9-22.lsc	Page:	18 / 20

Connection	Label
C1	
C2	
C3	
I1	
I2	
I3	
I4	
I5	
I6	
I7	
I8	
I9	
I10	
I11	
M1	
M2	
M3	
M4	
M5	
M6	
M8	Initialization Flag
M9	
M10	
M11	
M12	
M25	SmartRelay displays white backlight
Q1	

Creator:	JBL	DFD Lineshop	Project:	Sta 18 doors	Customer:	Denver Fire Department
Checked:	2-9-22		Installation:	upgrade smart f type ver 8	Diagram No.:	
Date:	3/14/13 2:25 PM/6/10/22 9:02 AM		File:	Sta 18 drs 2-9-22.lsc	Page:	19 / 20

Connection	Label
Q2	
Q3	
Q4	
Q5	
Q6	
Q7	
Q8	
Q9	
Q10	
Q11	
Q12	
Q13	

--	--	--	--	--	--

Creator:	JBL	DFD Lineshop	Project:	Sta 18 doors	Customer:	Denver Fire Department
Checked:	2-9-22		Installation:	upgrade smart f type ver 8	Diagram No.:	
Date:	3/14/13 2:25 PM/6/10/22 9:02 AM		File:	Sta 18 drs 2-9-22.lsc	Page:	20 / 20