

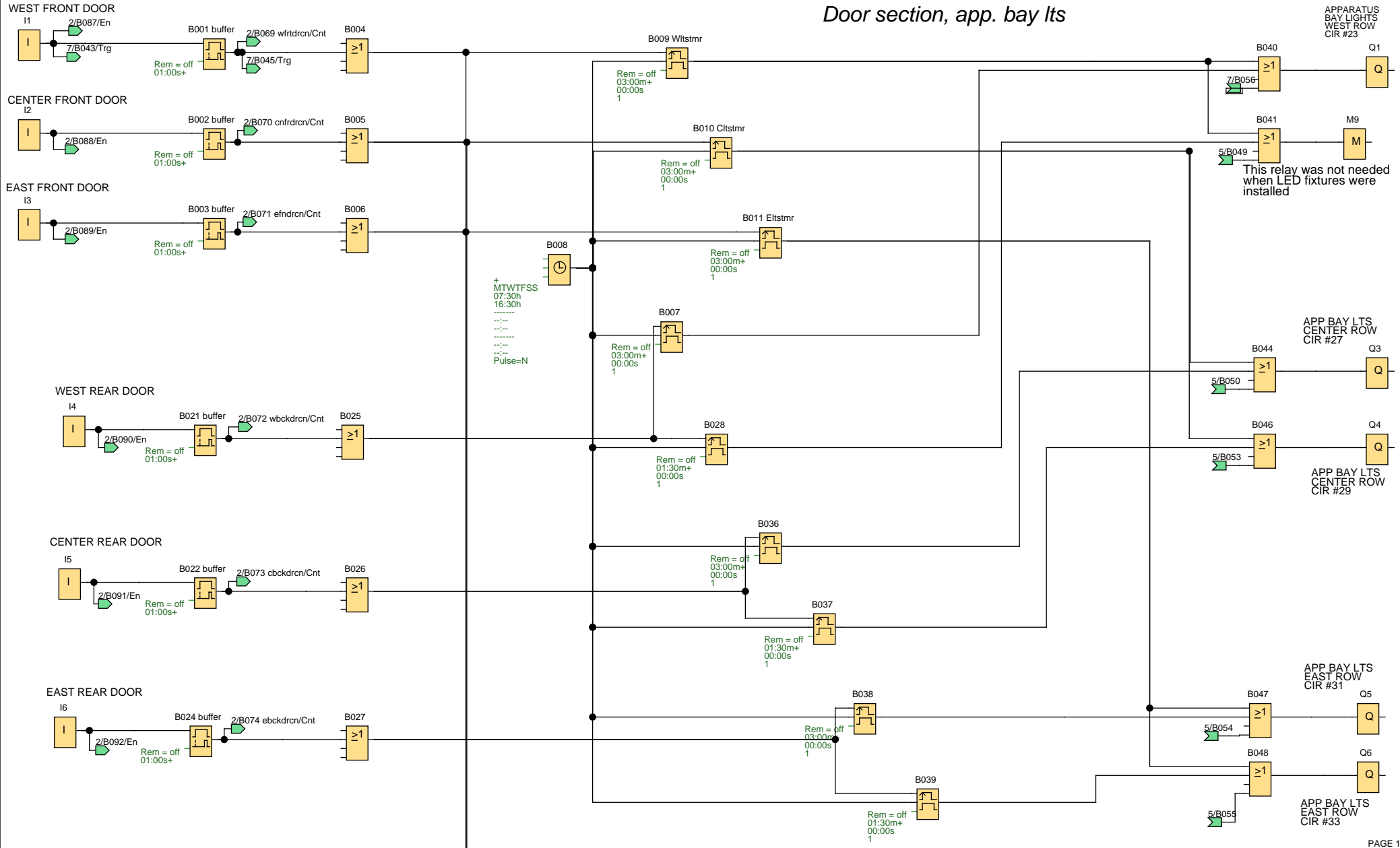
Comment

dwnlded 11-13-19 because added another shot clock for rescue, and added counters 1st time
11-14-19 ckd pretty thorough for errors, done

Creator:	John Ledbetter	DFD Lineshop	Project:	Sta 26 door project	Customer:	Denver Fire Department
Checked:	JBL 11-14-19		Installation:	Sta 26 doors	Diagram No.:	
Date:	9/12/16 9:56 AM/6/10/22 9:13 AM		File:	Sta 26 doors 11-14-19 .Jsc	Page:	1 / 19

Station 26 Doors 11-14-19 used Wind LGC version 8.0- hrdwr FL1E

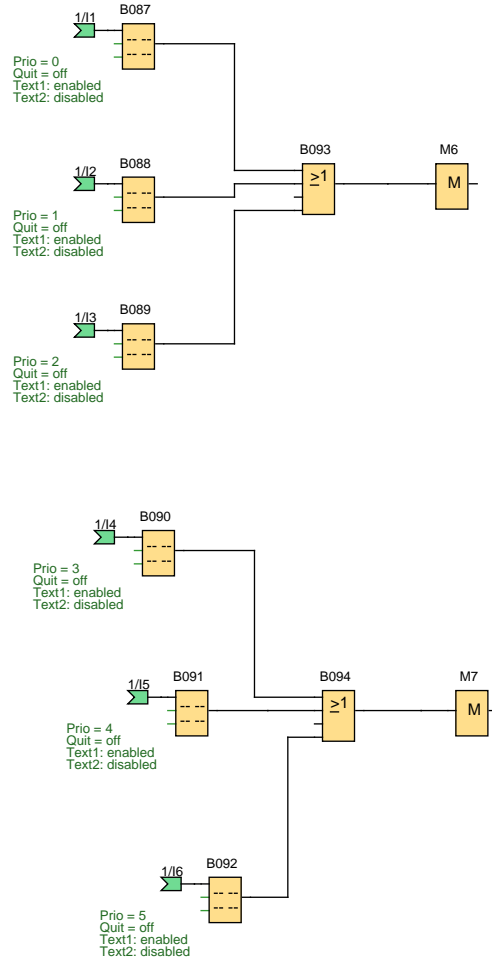
Door section, app. bay lts



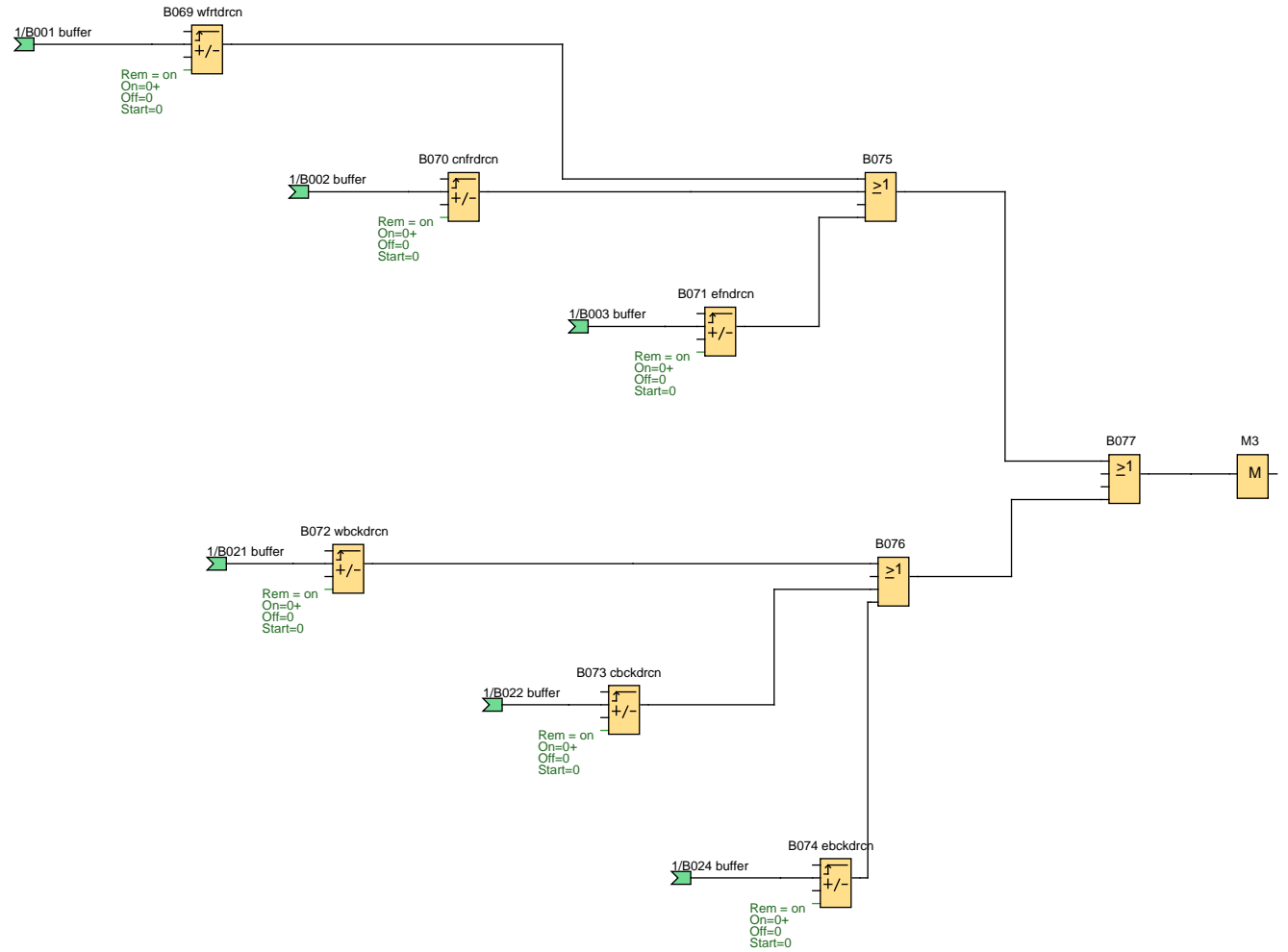
Creator:	John Ledbetter	DFD Lineshop	Project:	Sta 26 door project	Customer:	Denver Fire Department
Checked:	JBL 11-14-19		Installation:	Sta 26 doors	Diagram No.:	
Date:	9/12/16 9:56 AM/6/10/22 9:13 AM		File:	Sta 26 doors 11-14-19 .lsc	Page:	2 / 19

Sta 26

Messages

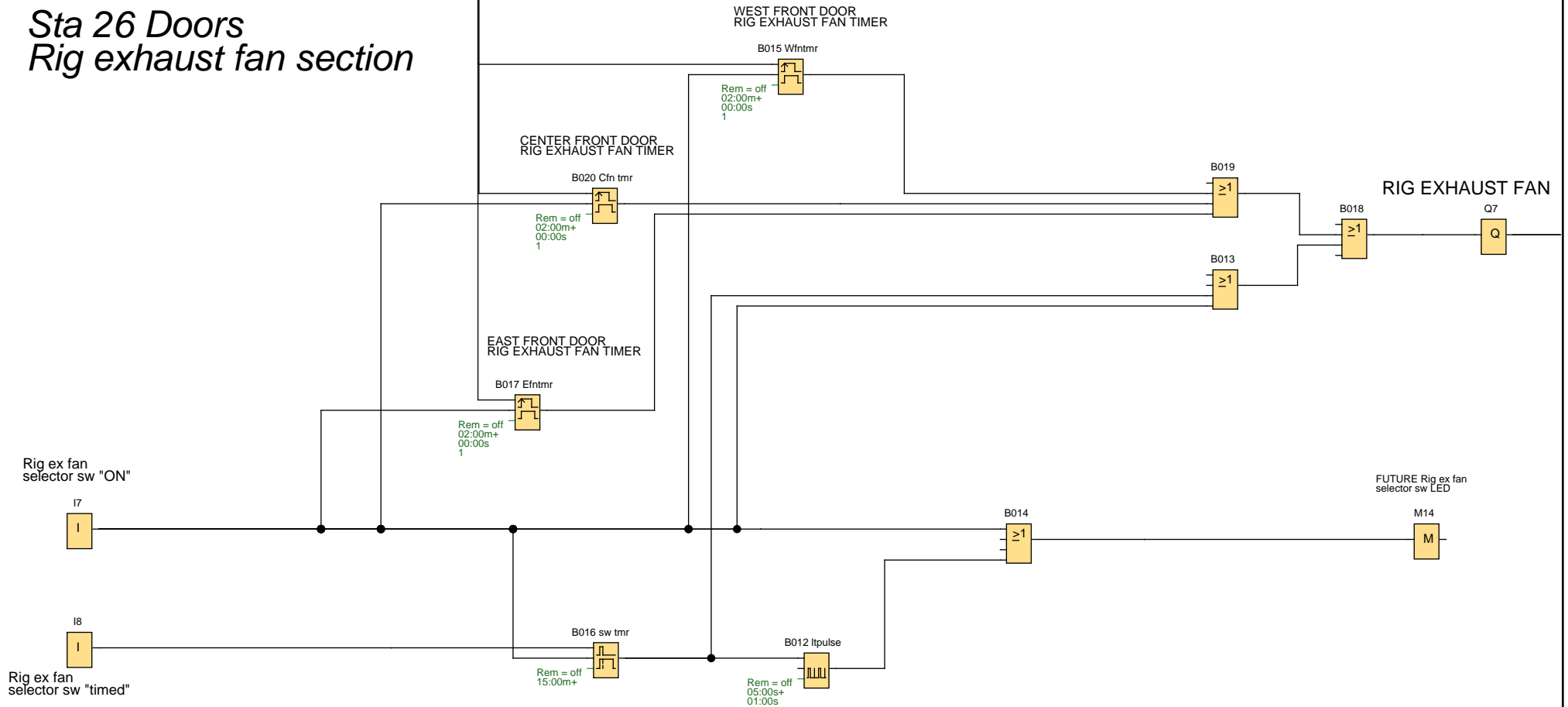


Counters



Creator:	John Ledbetter	DFD Lineshop	Project:	Sta 26 door project	Customer:	Denver Fire Department
Checked:	JBL 11-14-19		Installation:	Sta 26 doors	Diagram No.:	
Date:	9/12/16 9:56 AM/6/10/22 9:13 AM		File:	Sta 26 doors 11-14-19 .lsc	Page:	3 / 19

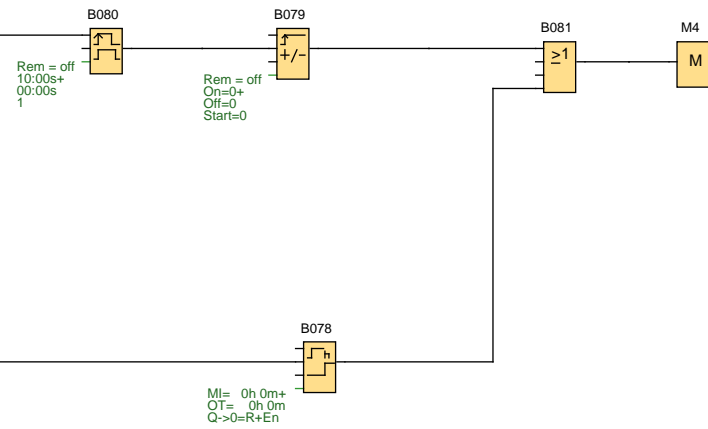
Sta 26 Doors Rig exhaust fan section



Creator:	John Ledbetter	DFD Lineshop	Project:	Sta 26 door project	Customer:	Denver Fire Department
Checked:	JBL 11-14-19		Installation:	Sta 26 doors	Diagram No.:	
Date:	9/12/16 9:56 AM/6/10/22 9:13 AM		File:	Sta 26 doors 11-14-19 .lsc	Page:	4 / 19

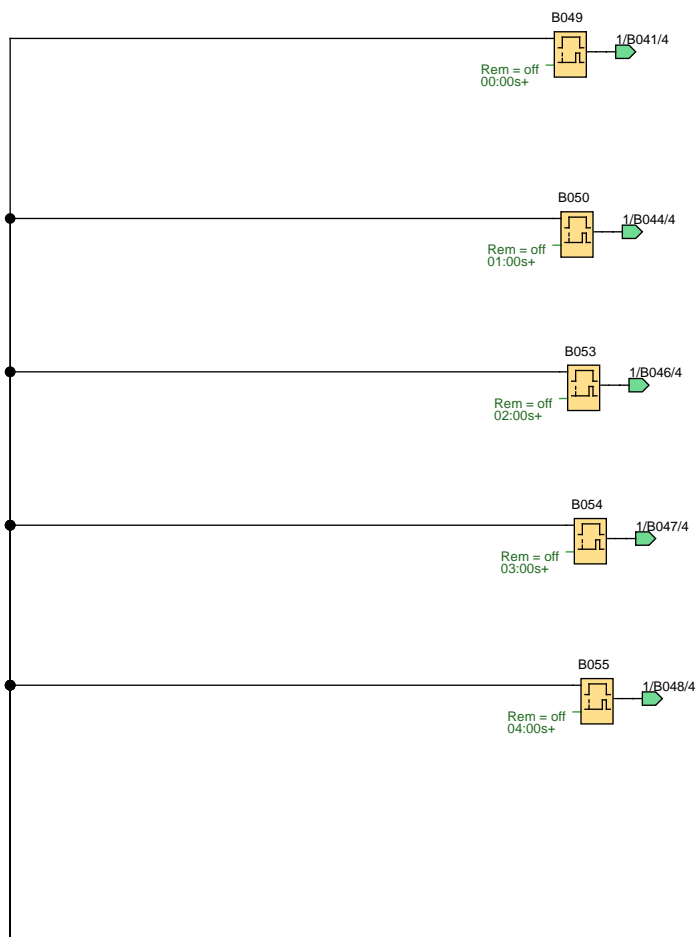
Sta 26

Counters



Creator:	John Ledbetter	DFD Lineshop	Project:	Sta 26 door project	Customer:	Denver Fire Department
Checked:	JBL 11-14-19		Installation:	Sta 26 doors	Diagram No.:	
Date:	9/12/16 9:56 AM/6/10/22 9:13 AM		File:	Sta 26 doors 11-14-19 .lsc	Page:	5 / 19

Sta 26--App Bay LED high bay lights (8) triggered from Vocalarm



Creator:	John Ledbetter	DFD Lineshop	Project:	Sta 26 door project	Customer:	Denver Fire Department
Checked:	JBL 11-14-19		Installation:	Sta 26 doors	Diagram No.:	
Date:	9/12/16 9:56 AM/6/10/22 9:13 AM		File:	Sta 26 doors 11-14-19 .lsc	Page:	6 / 19

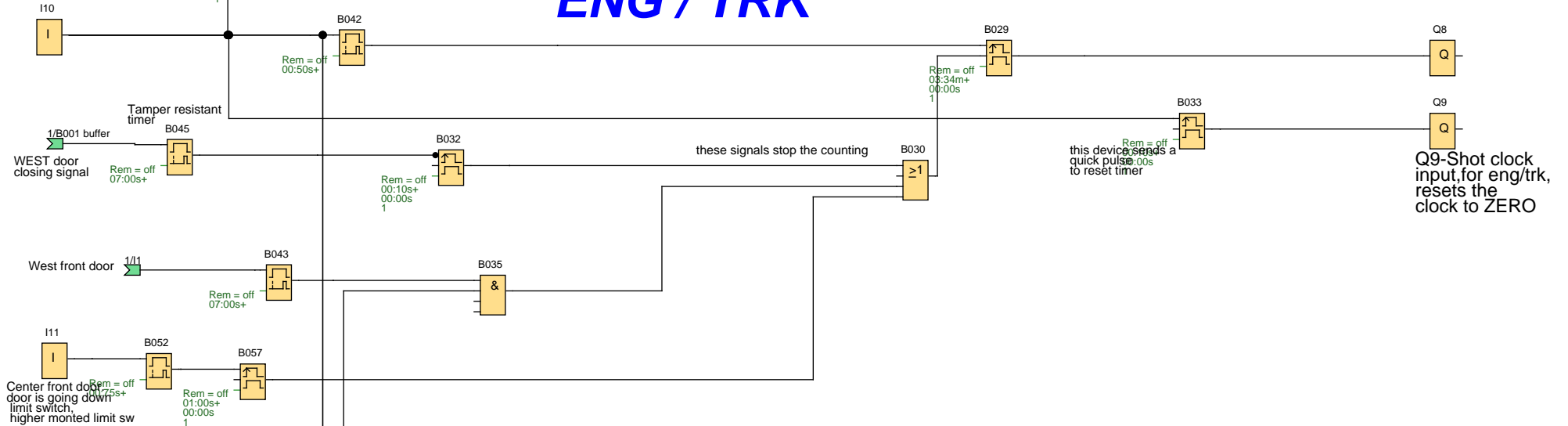
Creator:	John Ledbetter	DFD Lineshop	Project:	Sta 26 door project	Customer:	Denver Fire Department
Checked:	JBL 11-14-19		Installation:	Sta 26 doors	Diagram No.:	
Date:	9/12/16 9:56 AM/6/10/22 9:13 AM		File:	Sta 26 doors 11-14-19 .lsc	Page:	7 / 19

Sta 26 shot clocks, two here at sta 26

I10-VOCALARM

ENG / TRK

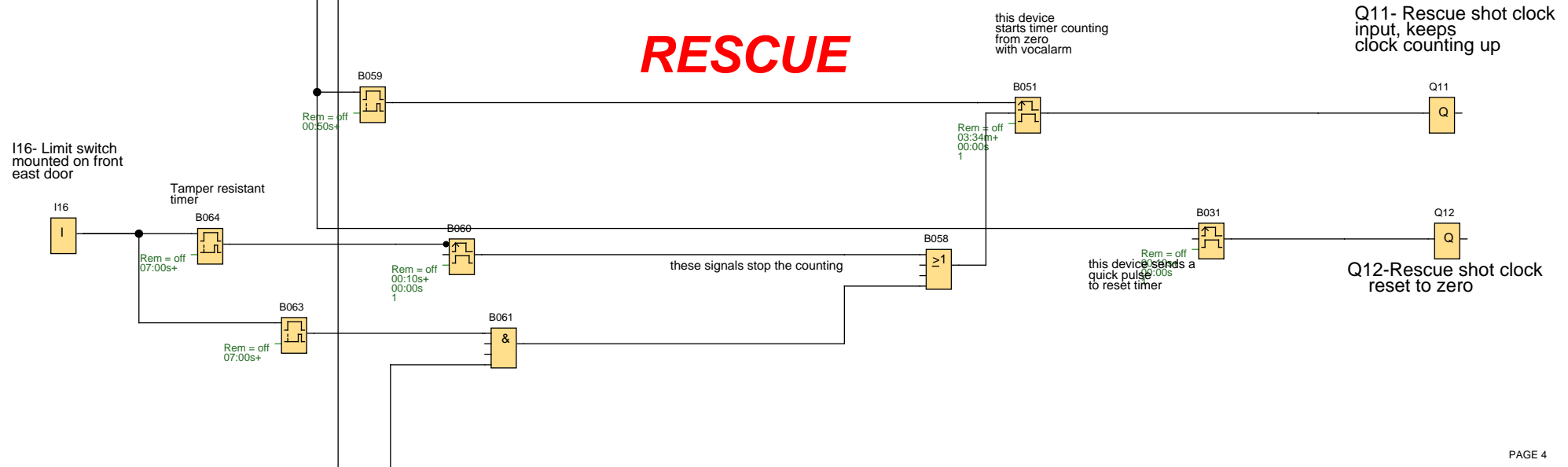
Q8-SHOT CLOCK
INPUT for eng/trk,
keeps clock
counting up



Q9-Shot clock
input for eng/trk,
resets the
clock to ZERO

RESCUE

Q11- Rescue shot clock
input, keeps
clock counting up



Q12-Rescue shot clock
reset to zero

Creator:	John Ledbetter	DFD Lineshop	Project:	Sta 26 door project	Customer:	Denver Fire Department
Checked:	JBL 11-14-19		Installation:	Sta 26 doors	Diagram No.:	
Date:	9/12/16 9:56 AM/6/10/22 9:13 AM		File:	Sta 26 doors 11-14-19 .lsc	Page:	8 / 19

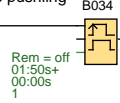
Creator:	John Ledbetter	DFD Lineshop	Project:	Sta 26 door project	Customer:	Denver Fire Department
Checked:	JBL 11-14-19		Installation:	Sta 26 doors	Diagram No.:	
Date:	9/12/16 9:56 AM/6/10/22 9:13 AM		File:	Sta 26 doors 11-14-19 .lsc	Page:	9 / 19

Sta 26 Receiver pulse section

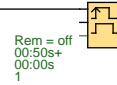
I9-West front door,
remote receiver



This keeps engineer from repeat
remote pushing



B062 wpulse



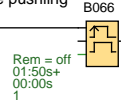
Q10-To west front opener
white and orange



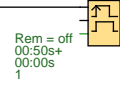
I12-Center front door,
remote receiver



This keeps engineer from repeat
remote pushing



B065 cfpulse

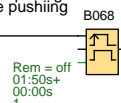


not used yet

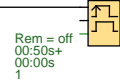
I13-East front door,
remote receiver



This keeps engineer from repeat
remote pushing



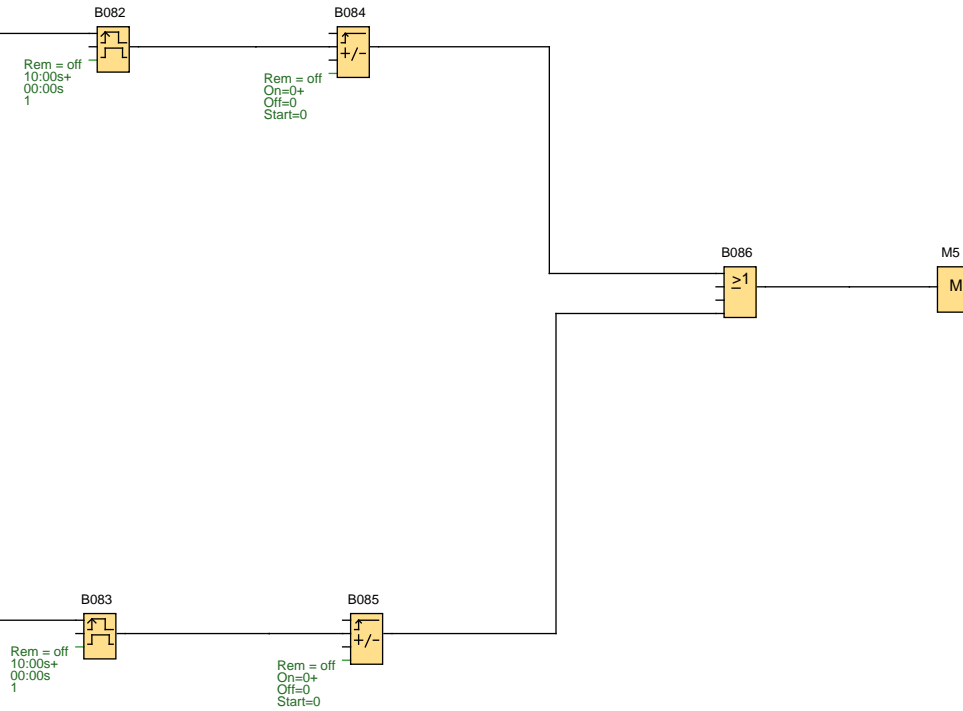
B067 efpulse



Creator:	John Ledbetter	FD Lineshop	Project:	Sta 26 door project	Customer:	Denver Fire Department
Checked:	JBL 11-14-19		Installation:	Sta 26 doors	Diagram No.:	
Date:	9/12/16 9:56 AM/6/10/22 9:13 AM		File:	Sta 26 doors 11-14-19 .lsc	Page:	10 / 19

Sta 26

Counters



Creator:	John Ledbetter	DFD Lineshop	Project:	Sta 26 door project	Customer:	Denver Fire Department
Checked:	JBL 11-14-19		Installation:	Sta 26 doors	Diagram No.:	
Date:	9/12/16 9:56 AM/6/10/22 9:13 AM		File:	Sta 26 doors 11-14-19 .lsc	Page:	11 / 19

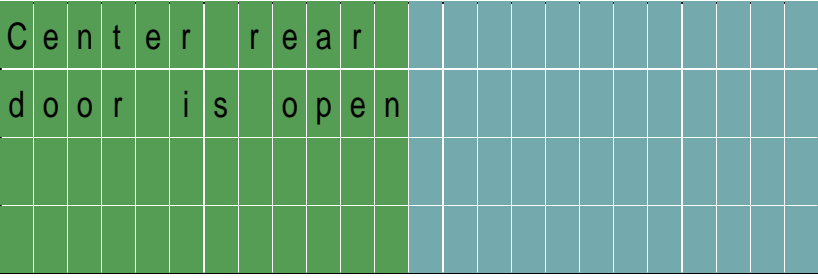
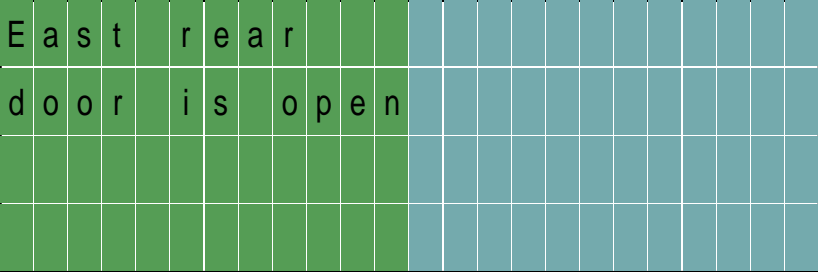
Block Number (Type)	Parameter						
B001 buffer(On-delay) :	Rem = off 01:00s+						
B002 buffer(On-delay) :	Rem = off 01:00s+						
B003 buffer(On-delay) :	Rem = off 01:00s+						
B007(Edge-triggered interval time-delay relay) :	Rem = off 03:00m+ 00:00s 1						
B008(Seven-day time switch) :	+ MTWTFSS 07:30h 16:30h ----- -:-:- -:-:- ----- -:-:- -:-:- ----- Pulse=N						
B009 Wltstmr(Edge-triggered interval time-delay relay) :	Rem = off 03:00m+ 00:00s 1						
B010 Cltstmr(Edge-triggered interval time-delay relay) :	Rem = off 03:00m+ 00:00s 1						
B011 Eltstmr(Edge-triggered interval time-delay relay) :	Rem = off 03:00m+ 00:00s 1						
B012 ltpulse(Asynchronous pulse generator) :	Rem = off 05:00s+ 01:00s						
B015 Wfntmr(Edge-triggered interval time-delay relay) : WEST FRONT DOOR RIG EXHAUST FAN TIMER	Rem = off 02:00m+ 00:00s 1						
B016 sw tmr (Off-delay) :	Rem = off 15:00m+						
B017 Ffntmr(Edge-triggered interval time-delay relay) : EAST FRONT DOOR RIG EXHAUST FAN TIMER	Rem = off 02:00m+ 00:00s 1						
B020 Cfn tmr(Edge-triggered interval time-delay relay) : CENTER FRONT DOOR RIG EXHAUST FAN TIMER	Rem = off 02:00m+ 00:00s 1						
B021 buffer(On-delay) :	Rem = off 01:00s+						
B022 buffer(On-delay) :	Rem = off 01:00s+						
B024 buffer(On-delay) :	Rem = off 01:00s+						
B028(Edge-triggered interval time-delay relay) :	Rem = off 01:30m+ 00:00s 1						
B029(Edge-triggered interval time-delay relay) : this device starts timer counting from zero with vocalarm	Rem = off 03:34m+ 00:00s 1						
B031(Edge-triggered interval time-delay relay) : this device sends a quick pulse to reset timer	Rem = off 00:10s+ 00:00s 1						
Creator:	John Ledbetter	DFD Lineshop	Project:	Sta 26 door project	Customer:	Denver Fire Department	
Checked:	JBL 11-14-19		Installation:	Sta 26 doors	Diagram No.:		
Date:	9/12/16 9:56 AM/6/10/22 9:13 AM		File:	Sta 26 doors 11-14-19 .Jsc	Page:	12 / 19	

Block Number (Type)	Parameter
B032(Edge-triggered interval time-delay relay) :	Rem = off 00:10s+ 00:00s 1
B033(Edge-triggered interval time-delay relay) : this device sends a quick pulse to reset timer	Rem = off 00:10s+ 00:00s 1
B034(Edge-triggered interval time-delay relay) : This keeps engineer from repeat remote pushing	Rem = off 01:50s+ 00:00s 1
B036(Edge-triggered interval time-delay relay) :	Rem = off 03:00m+ 00:00s 1
B037(Edge-triggered interval time-delay relay) :	Rem = off 01:30m+ 00:00s 1
B038(Edge-triggered interval time-delay relay) :	Rem = off 03:00m+ 00:00s 1
B039(Edge-triggered interval time-delay relay) :	Rem = off 01:30m+ 00:00s 1
B042(On-delay) :	Rem = off 00:50s+
B043(On-delay) :	Rem = off 07:00s+
B045(On-delay) :	Rem = off 07:00s+
B049(On-delay) :	Rem = off 00:00s+
B050(On-delay) :	Rem = off 01:00s+
B051(Edge-triggered interval time-delay relay) : this device starts timer counting from zero with vocalarm	Rem = off 03:34m+ 00:00s 1
B052(On-delay) :	Rem = off 00:75s+
B053(On-delay) :	Rem = off 02:00s+
B054(On-delay) :	Rem = off 03:00s+
B055(On-delay) :	Rem = off 04:00s+
B056(Edge-triggered interval time-delay relay) :	Rem = off 02:00m+ 00:00s 1
B057(Edge-triggered interval time-delay relay) :	Rem = off 01:00s+ 00:00s 1
B059(On-delay) :	Rem = off 00:50s+
B060(Edge-triggered interval time-delay relay) :	Rem = off 00:10s+ 00:00s 1

Block Number (Type)	Parameter
B062 wfpulse(Edge-triggered interval time-delay relay) :	Rem = off 00:50s+ 00:00s 1
B063(On-delay) :	Rem = off 07:00s+
B064(On-delay) :	Rem = off 07:00s+
B065 cfpulse(Edge-triggered interval time-delay relay) :	Rem = off 00:50s+ 00:00s 1
B066(Edge-triggered interval time-delay relay) : This keeps engineer from repeat remote pushing	Rem = off 01:50s+ 00:00s 1
B067 efpulse(Edge-triggered interval time-delay relay) :	Rem = off 00:50s+ 00:00s 1
B068(Edge-triggered interval time-delay relay) : This keeps engineer from repeat remote pushing	Rem = off 01:50s+ 00:00s 1
B069 wfrtdrcn(Up/Down counter) :	Rem = on On=0+ Off=0 Start=0
B070 cnfrdrcn(Up/Down counter) :	Rem = on On=0+ Off=0 Start=0
B071 efndrcn(Up/Down counter) :	Rem = on On=0+ Off=0 Start=0
B072 wbckdrcn(Up/Down counter) :	Rem = on On=0+ Off=0 Start=0
B073 cbckdrcn(Up/Down counter) :	Rem = on On=0+ Off=0 Start=0
B074 ebckdrcn(Up/Down counter) :	Rem = on On=0+ Off=0 Start=0
B078(Operating hours counter) :	Ml= 0h 0m+ O1= 0h 0m Q->0=R+En
B079(Up/Down counter) :	Rem = off On=0+ Off=0 Start=0
B080(Edge-triggered interval time-delay relay) :	Rem = off 10:00s+ 00:00s 1
B082(Edge-triggered interval time-delay relay) :	Rem = off 10:00s+ 00:00s 1
B083(Edge-triggered interval time-delay relay) :	Rem = off 10:00s+ 00:00s 1

Creator:	John Ledbetter	DFD Lineshop	Project:	Sta 26 door project	Customer:	Denver Fire Department
Checked:	JBL 11-14-19		Installation:	Sta 26 doors	Diagram No.:	
Date:	9/12/16 9:56 AM/6/10/22 9:13 AM		File:	Sta 26 doors 11-14-19 .Jsc	Page:	14 / 19

Block Number (Type)	Parameter
B084(Up/Down counter) :	Rem = off On=0+ Off=0 Start=0
B085(Up/Down counter) :	Rem = off On=0+ Off=0 Start=0
B087(Message texts) : 	Prio = 0 Quit = off Text1: enabled Text2: disabled Ticker setting - CBC - Line1: N - Line2: Z - Line3: Z - Line4: Z Message Destination - Both
B088(Message texts) : 	Prio = 1 Quit = off Text1: enabled Text2: disabled Ticker setting - CBC - Line1: N - Line2: Z - Line3: Z - Line4: Z Message Destination - Both
B089(Message texts) : 	Prio = 2 Quit = off Text1: enabled Text2: disabled Ticker setting - CBC - Line1: N - Line2: Z - Line3: Z - Line4: Z Message Destination - Both
B090(Message texts) : 	Prio = 3 Quit = off Text1: enabled Text2: disabled Ticker setting - CBC - Line1: N - Line2: Z - Line3: Z - Line4: Z Message Destination - Both

Block Number (Type)	Parameter																			
B091(Message texts) : 	Prio = 4 Quit = off Text1: enabled Text2: disabled Ticker setting - CBC - Line1: N - Line2: N - Line3: N - Line4: N Message Destination - Both																			
B092(Message texts) : 	Prio = 5 Quit = off Text1: enabled Text2: disabled Ticker setting - CBC - Line1: N - Line2: N - Line3: N - Line4: N Message Destination - Both																			
I1(Input) : WEST FRONT DOOR																				
I2(Input) : CENTER FRONT DOOR																				
I3(Input) : EAST FRONT DOOR																				
I4(Input) : WEST REAR DOOR																				
I5(Input) : CENTER REAR DOOR																				
I6(Input) : EAST REAR DOOR																				
I7(Input) : Rig ex fan selector sw "ON"																				
I8(Input) : Rig ex fan selector sw "timed"																				
I9(Input) : I9-West front door, remote receiver																				
I10(Input) : I10-VOCALARM																				
I11(Input) : Center front door. door is going down limit switch, higher monted limit sw																				
I12(Input) : I12-Center front door, remote receiver																				
I13(Input) : I13-East front door, remote receiver																				
<table border="1"> <tr> <td>Creator:</td> <td>John Ledbetter</td> <td rowspan="3">DFD Lineshop</td> <td>Project:</td> <td>Sta 26 door project</td> <td>Customer:</td> <td>Denver Fire Department</td> </tr> <tr> <td>Checked:</td> <td>JBL 11-14-19</td> <td>Installation:</td> <td>Sta 26 doors</td> <td>Diagram No.:</td> <td></td> </tr> <tr> <td>Date:</td> <td>9/12/16 9:56 AM/6/10/22 9:13 AM</td> <td>File:</td> <td>Sta 26 doors 11-14-19 .Jsc</td> <td>Page:</td> <td>16 / 19</td> </tr> </table>	Creator:	John Ledbetter	DFD Lineshop	Project:	Sta 26 door project	Customer:	Denver Fire Department	Checked:	JBL 11-14-19	Installation:	Sta 26 doors	Diagram No.:		Date:	9/12/16 9:56 AM/6/10/22 9:13 AM	File:	Sta 26 doors 11-14-19 .Jsc	Page:	16 / 19	
Creator:	John Ledbetter	DFD Lineshop		Project:	Sta 26 door project	Customer:	Denver Fire Department													
Checked:	JBL 11-14-19			Installation:	Sta 26 doors	Diagram No.:														
Date:	9/12/16 9:56 AM/6/10/22 9:13 AM		File:	Sta 26 doors 11-14-19 .Jsc	Page:	16 / 19														

Block Number (Type)	Parameter
I16(Input) : I16- Limit switch mounted on front east door	
M9(Memory marker) : This relay was not needed when LED fixtures were installed	
Q1(Output) : APPARATUS BAY LIGHTS WEST ROW CIR #23	
Q3(Output) : APP BAY LTS CENTER ROW CIR #27	
Q4(Output) : APP BAY LTS CENTER ROW CIR #29	
Q5(Output) : APP BAY LTS EAST ROW CIR #31	
Q6(Output) : APP BAY LTS EAST ROW CIR #33	
Q7(Output) : RIG EXHAUST FAN	
Q8(Output) : Q8-SHOT CLOCK INPUT for eng/trk, keeps clock counting up	
Q9(Output) : Q9-Shot clock input,for eng/trk, resets the clock to ZERO	
Q10(Output) : Q10-To west front opener white and orange	
Q11(Output) : Q11- Rescue shot clock input, keeps clock counting up	
Q12(Output) : Q12-Rescue shot clock reset to zero	

--	--	--	--	--	--

Connection	Label
I1	
I2	
I3	
I4	
I5	
I6	
I7	
I8	
I9	
I10	
I11	
I12	
I13	
I16	
M1	
M2	
M3	
M4	
M5	
M6	
M7	
M9	
M14	
Q1	
Q3	
Q4	
Q5	
Q6	
Q7	

Creator:	John Ledbetter	DFD Lineshop	Project:	Sta 26 door project	Customer:	Denver Fire Department
Checked:	JBL 11-14-19		Installation:	Sta 26 doors	Diagram No.:	
Date:	9/12/16 9:56 AM/6/10/22 9:13 AM		File:	Sta 26 doors 11-14-19 .Jsc	Page:	18 / 19

Connection	Label
Q8	
Q9	
Q10	
Q11	
Q12	