

Comment

4-4-18 added chief door stuff, chief move from 23s, redo east door timers
11-13-20 added a MOV yes done, also slowed down flash on bckup lt timer, yes at sta
6-13-22 installed new networkable Smart and added city IP address, MOV yes good, card in yes good, online tests good,
counters read wdr cntr 15209, cdr cntr 10813, edr cntr 12393, fan cntr 35102, fhrcntr 1399h39m,
all counts to zero after redwnld

| | | | | | | |
|----------|----------------------------------|--------------|---------------|-------------------------|--------------|-------------------|
| Creator: | John Ledbetter | DFD Lineshop | Project: | Station 28 door control | Customer: | Denver Fire Dept. |
| Checked: | 6-13-22 | | Installation: | | Diagram No.: | |
| Date: | 11/17/15 7:13 AM/6/13/22 2:07 PM | | File: | Sta 28 drs 6-13-22.lsc | Page: | 1 / 18 |

Module Address

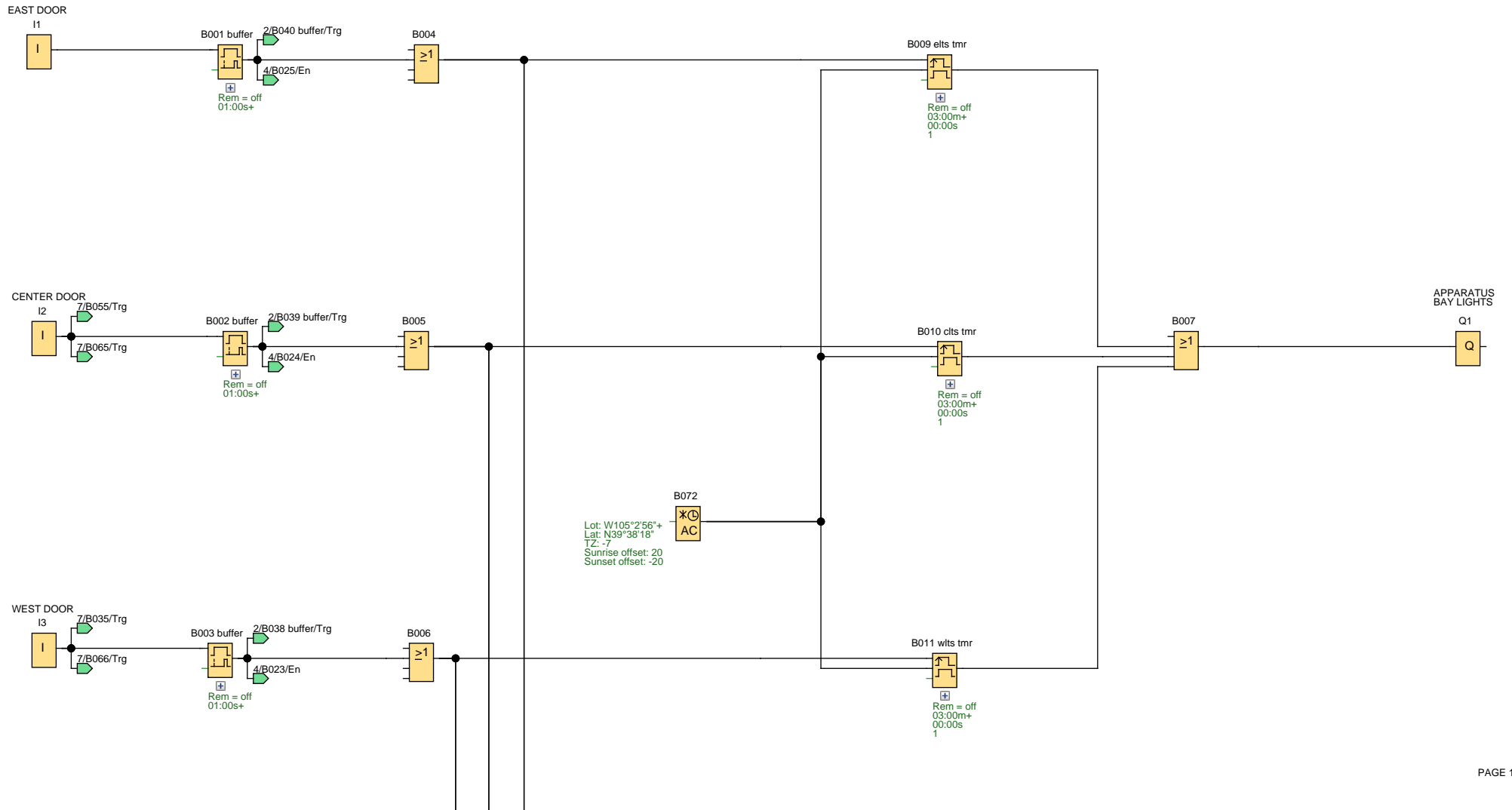
IP Address 10.126.165.37
Subnet Mask: 255.255.255.240
Default gateway 10.126.165.33

| | | | | | | |
|----------|----------------------------------|--------------|---------------|-------------------------|--------------|-------------------|
| Creator: | John Ledbetter | DFD Lineshop | Project: | Station 28 door control | Customer: | Denver Fire Dept. |
| Checked: | 6-13-22 | | Installation: | | Diagram No.: | |
| Date: | 11/17/15 7:13 AM/6/13/22 2:07 PM | | File: | Sta 28 drs 6-13-22.lsc | Page: | 2 / 18 |

Station 28 Doors 6-13-22 verified type FS-05

City IP address 10.126.165.37
 255.255.255.240
 10.126.165.33

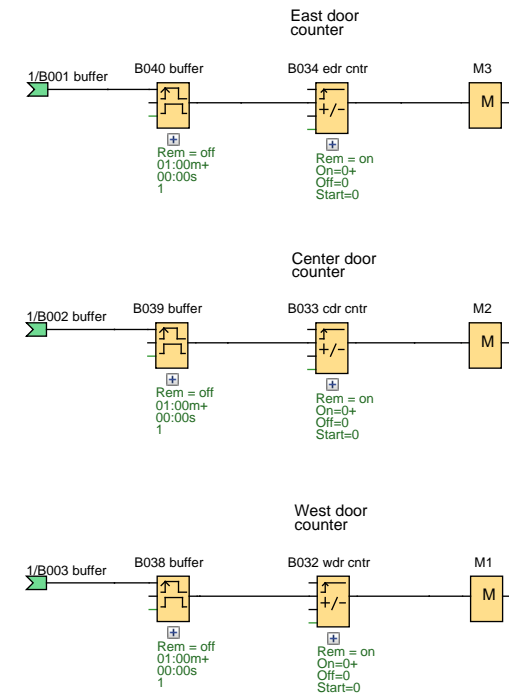
Door section, app. bay lts



| | | | | | | |
|----------|----------------------------------|--------------|---------------|-------------------------|--------------|-------------------|
| Creator: | John Ledbetter | DFD Lineshop | Project: | Station 28 door control | Customer: | Denver Fire Dept. |
| Checked: | 6-13-22 | | Installation: | | Diagram No.: | |
| Date: | 11/17/15 7:13 AM/6/13/22 2:07 PM | | File: | Sta 28 drs 6-13-22.lsc | Page: | 3 / 18 |

Station 28 Doors

COUNTING SECTION



| | | | | | | |
|----------|----------------------------------|--------------|---------------|-------------------------|--------------|-------------------|
| Creator: | John Ledbetter | DFD Lineshop | Project: | Station 28 door control | Customer: | Denver Fire Dept. |
| Checked: | 6-13-22 | | Installation: | | Diagram No.: | |
| Date: | 11/17/15 7:13 AM/6/13/22 2:07 PM | | File: | Sta 28 drs 6-13-22.lsc | Page: | 4 / 18 |

Station 28 Doors

Sta 28 Rig exhaust fan section

EAST DOOR RIG EXHAUST FAN TIMER

B015 efn tmr

Rem = off
02:00m+
00:00s
1

CENTER DOOR RIG EXHAUST TIMER

B020 cfn tmr

Rem = off
02:00m+
00:00s
1

WEST DOOR RIG EXHAUST FAN TIMER

B017 wfn tmr

Rem = off
02:00m+
00:00s
1

Ex fan selector sw timed

I15

ex fan selector sw on

I14

B016 sw tmr

Rem = off
15:00m+
00:00s
1

B012 lt pulse

Rem = off
05:00s+
01:00s
1

B014

Rig ex fan

Q2

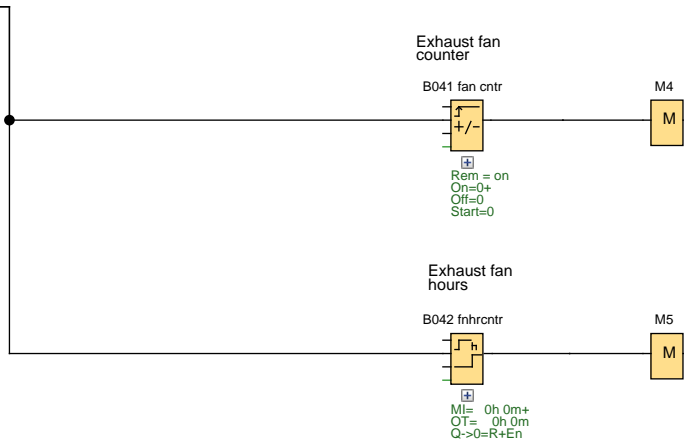
FUTURE Rig ex fan selector sw LED

M14

| | | | | | | |
|----------|----------------------------------|--------------|---------------|-------------------------|--------------|-------------------|
| Creator: | John Ledbetter | DFD Lineshop | Project: | Station 28 door control | Customer: | Denver Fire Dept. |
| Checked: | 6-13-22 | | Installation: | | Diagram No.: | |
| Date: | 11/17/15 7:13 AM/6/13/22 2:07 PM | | File: | Sta 28 drs 6-13-22.lsc | Page: | 5 / 18 |

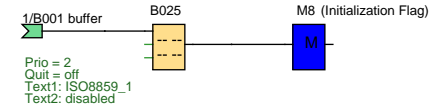
Station 28 Doors

COUNTING SECTION

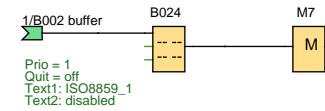


MESSAGE SECTION

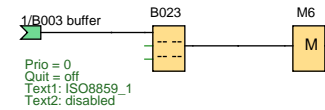
EAST DOOR IS OPEN - MESSAGE



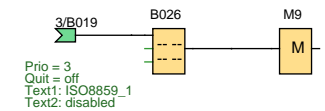
CENTER DOOR IS OPEN - MESSAGE



WEST DOOR IS OPEN - MESSAGE

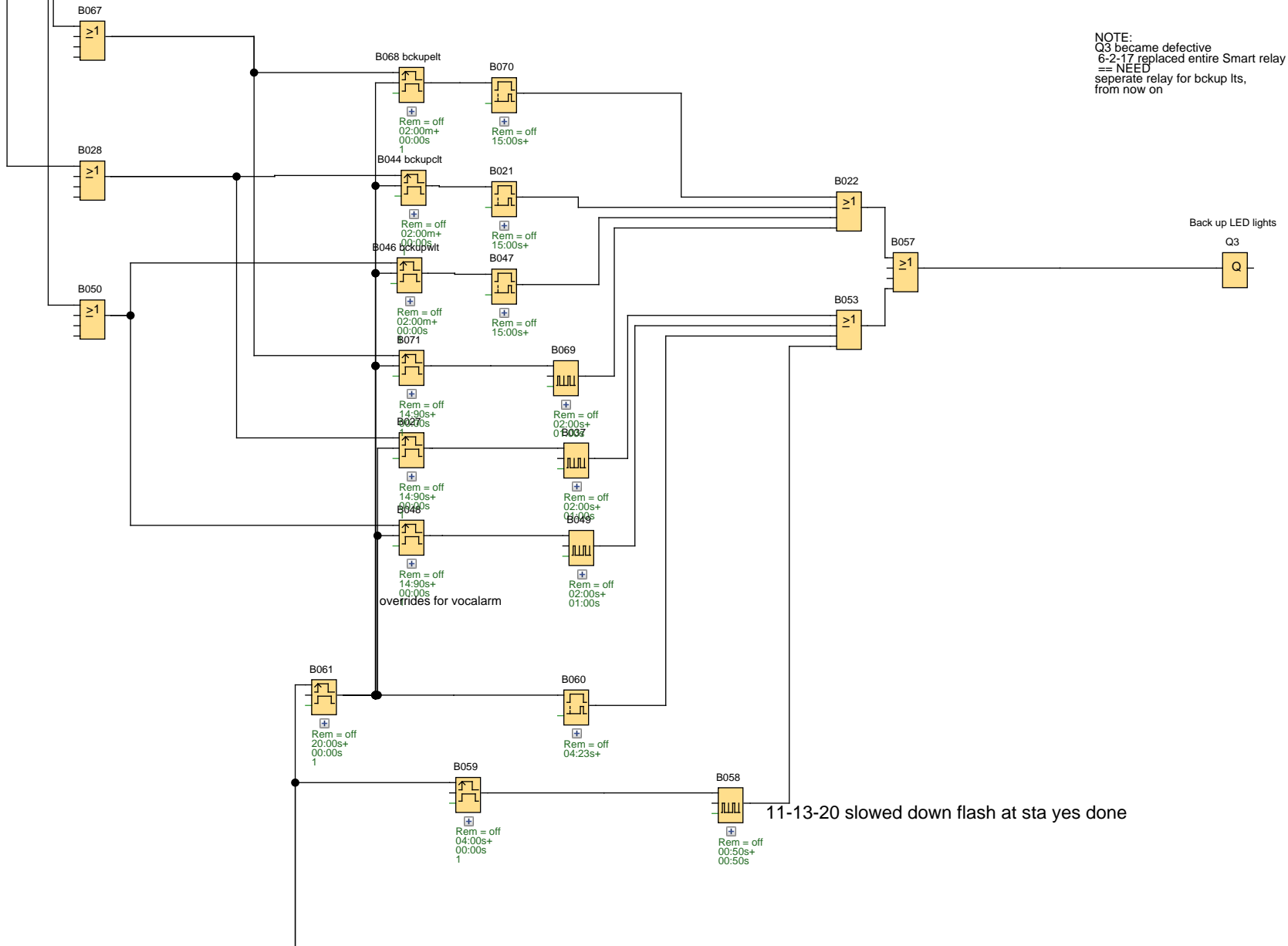


RIG EXHAUST FAN TIME AND COUNT MESSAGE



| | | | | | | |
|----------|----------------------------------|--------------|---------------|-------------------------|--------------|-------------------|
| Creator: | John Ledbetter | DFD Lineshop | Project: | Station 28 door control | Customer: | Denver Fire Dept. |
| Checked: | 6-13-22 | | Installation: | | Diagram No.: | |
| Date: | 11/17/15 7:13 AM/6/13/22 2:07 PM | | File: | Sta 28 drs 6-13-22.lsc | Page: | 6 / 18 |

Back up LED light section

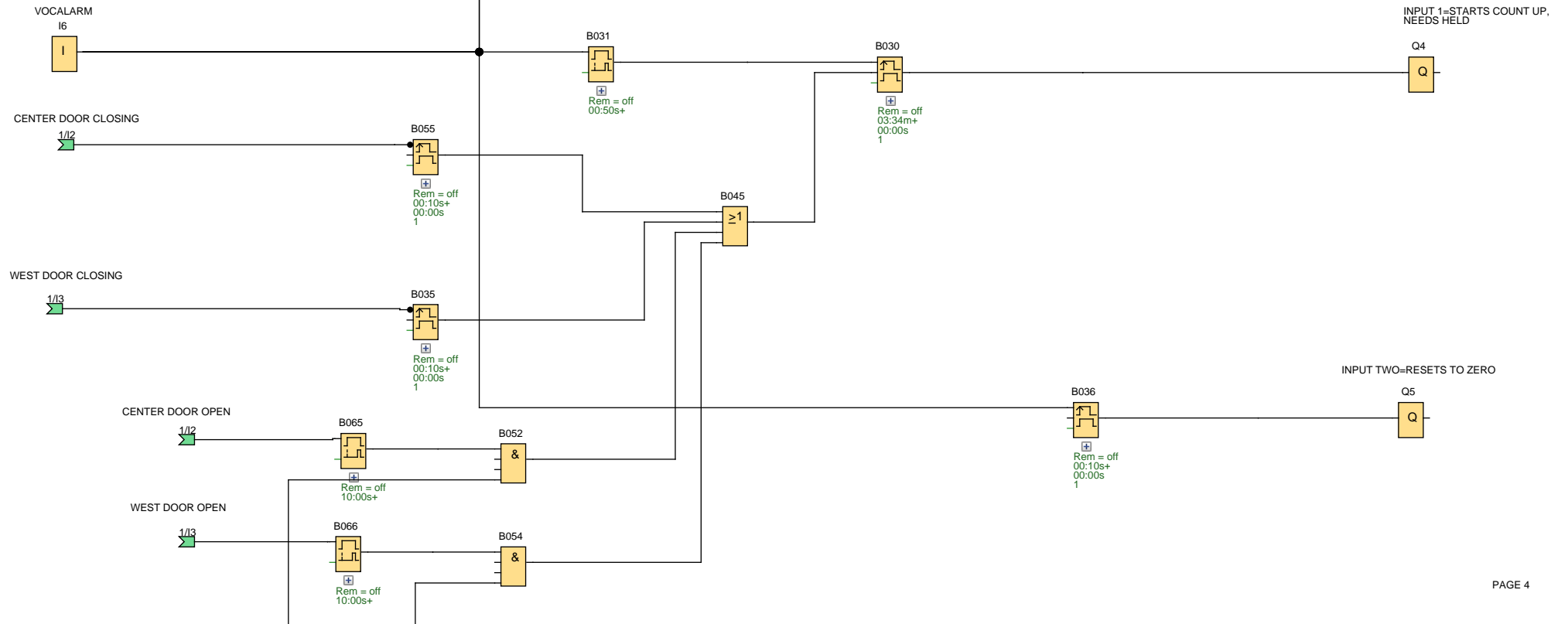


NOTE:
 Q3 became defective
 6-2-17 replaced entire Smart relay w/ new
 == NEED
 separate relay for bckup lts,
 from now on

| | | | | | | |
|----------|----------------------------------|--------------|---------------|-------------------------|--------------|-------------------|
| Creator: | John Ledbetter | DFD Lineshop | Project: | Station 28 door control | Customer: | Denver Fire Dept. |
| Checked: | 6-13-22 | | Installation: | | Diagram No.: | |
| Date: | 11/17/15 7:13 AM/6/13/22 2:07 PM | | File: | Sta 28 drs 6-13-22.lsc | Page: | 7 / 18 |

| | | | | | | |
|----------|----------------------------------|--------------|---------------|-------------------------|--------------|-------------------|
| Creator: | John Ledbetter | DFD Lineshop | Project: | Station 28 door control | Customer: | Denver Fire Dept. |
| Checked: | 6-13-22 | | Installation: | | Diagram No.: | |
| Date: | 11/17/15 7:13 AM/6/13/22 2:07 PM | | File: | Sta 28 drs 6-13-22.lsc | Page: | 8 / 18 |

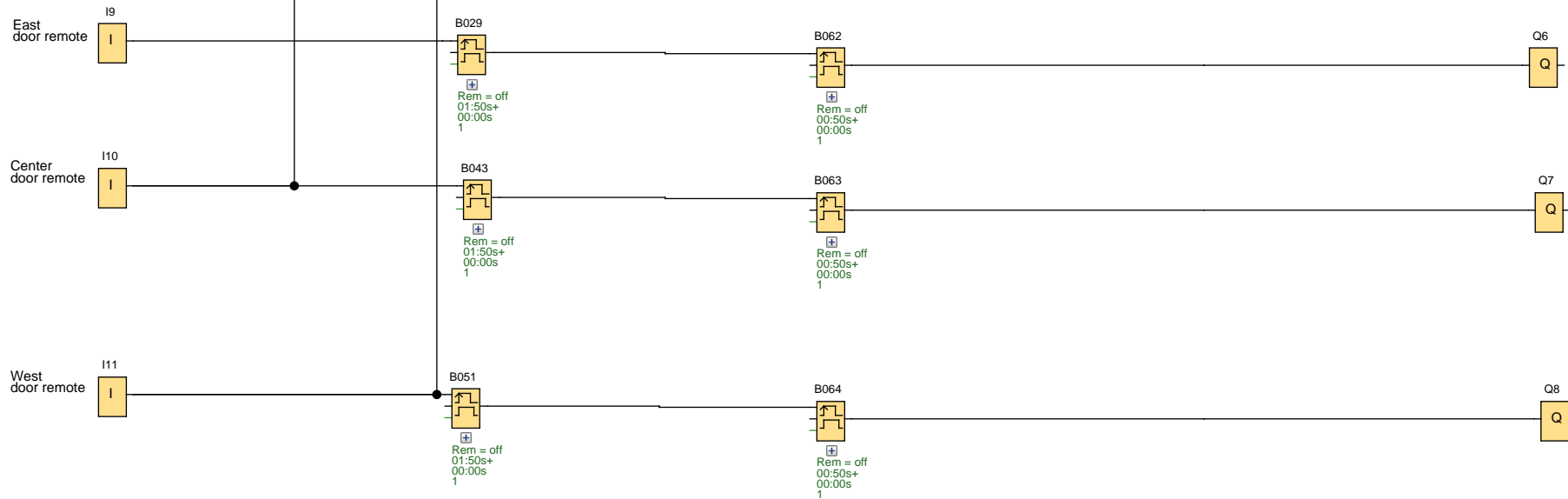
Sta 28 TIMER DISPLAY



| | | | | | | |
|----------|----------------------------------|--------------|---------------|-------------------------|--------------|-------------------|
| Creator: | John Ledbetter | DFD Lineshop | Project: | Station 28 door control | Customer: | Denver Fire Dept. |
| Checked: | 6-13-22 | | Installation: | | Diagram No.: | |
| Date: | 11/17/15 7:13 AM/6/13/22 2:07 PM | | File: | Sta 28 drs 6-13-22.lsc | Page: | 9 / 18 |

| | | | | | | |
|----------|----------------------------------|--------------|---------------|-------------------------|--------------|-------------------|
| Creator: | John Ledbetter | DFD Lineshop | Project: | Station 28 door control | Customer: | Denver Fire Dept. |
| Checked: | 6-13-22 | | Installation: | | Diagram No.: | |
| Date: | 11/17/15 7:13 AM/6/13/22 2:07 PM | | File: | Sta 28 drs 6-13-22.lsc | Page: | 10 / 18 |

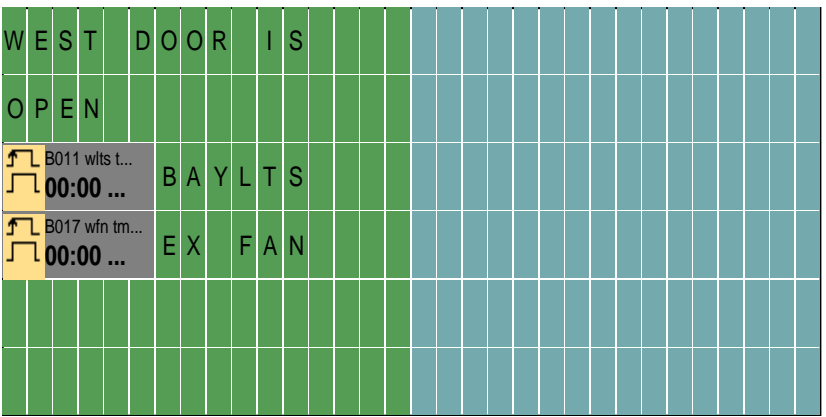
Sta 28 Door Receiver pulse section

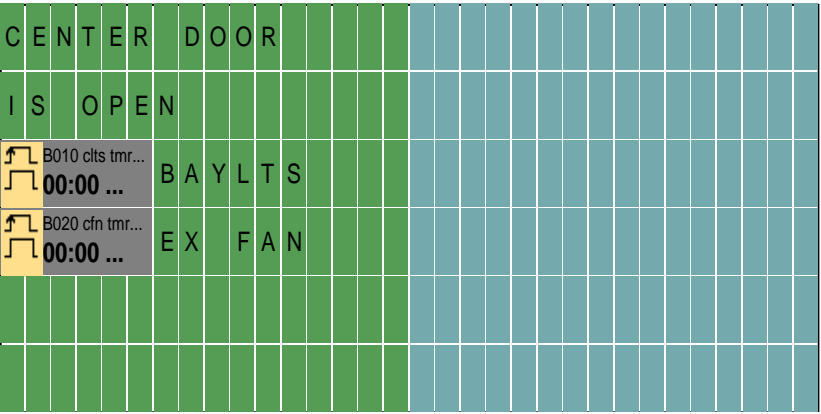
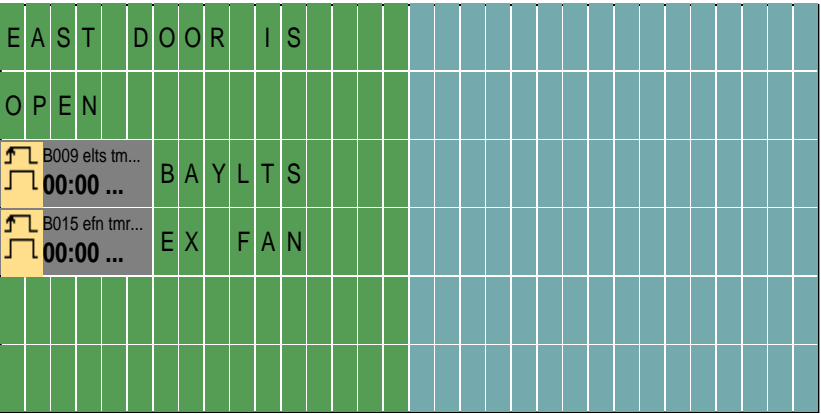
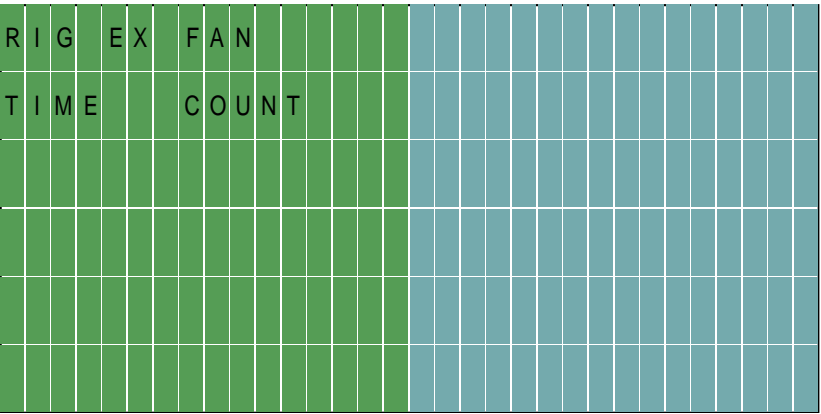


| | | | | | | |
|----------|----------------------------------|--------------|---------------|-------------------------|--------------|-------------------|
| Creator: | John Ledbetter | DFD Lineshop | Project: | Station 28 door control | Customer: | Denver Fire Dept. |
| Checked: | 6-13-22 | | Installation: | | Diagram No.: | |
| Date: | 11/17/15 7:13 AM/6/13/22 2:07 PM | | File: | Sta 28 drs 6-13-22.lsc | Page: | 11 / 18 |



| | | | | | | |
|----------|----------------------------------|--------------|---------------|-------------------------|--------------|-------------------|
| Creator: | John Ledbetter | DFD Lineshop | Project: | Station 28 door control | Customer: | Denver Fire Dept. |
| Checked: | 6-13-22 | | Installation: | | Diagram No.: | |
| Date: | 11/17/15 7:13 AM/6/13/22 2:07 PM | | File: | Sta 28 drs 6-13-22.lsc | Page: | 12 / 18 |

| Block Number (Type) | Parameter | | |
|--|---|--|---|
| B001 buffer(On-delay) : | Rem = off 01:00s+ | | |
| B002 buffer(On-delay) : | Rem = off 01:00s+ | | |
| B003 buffer(On-delay) : | Rem = off 01:00s+ | | |
| B009 elts tmr(Edge-triggered interval time-delay relay) : | Rem = off 03:00m+ 00:00s 1 | | |
| B010 clts tmr(Edge-triggered interval time-delay relay) : | Rem = off 03:00m+ 00:00s 1 | | |
| B011 wlts tmr(Edge-triggered interval time-delay relay) : | Rem = off 03:00m+ 00:00s 1 | | |
| B012 lt pulse(Asynchronous pulse generator) : | Rem = off 05:00s+ 01:00s | | |
| B015 efn tmr(Edge-triggered interval time-delay relay) : EAST DOOR RIG EXHAUST FAN TIMER | Rem = off 02:00m+ 00:00s 1 | | |
| B016 sw tmr (Off-delay) : | Rem = off 15:00m+ | | |
| B017 wfn tmr(Edge-triggered interval time-delay relay) : WEST DOOR RIG EXHAUST FAN TIMER | Rem = off 02:00m+ 00:00s 1 | | |
| B020 cfn tmr(Edge-triggered interval time-delay relay) : CENTER DOOR RIG EXHAUST TIMER | Rem = off 02:00m+ 00:00s 1 | | |
| B021(On-delay) : | Rem = off 15:00s+ | | |
| <p>B023(Message texts) : WEST DOOR IS OPEN - MESSAGE</p>  <p>Line3.1 B011 wlts tmr-THRest Line4.1 B017 wfn tmr-THRest</p> | <p>Prio = 0 Quit = off Text1: enabled Text2: disabled</p> <p>Ticker setting - CBC - Line1: N - Line2: N - Line3: N - Line4: N - Line5: N - Line6: N</p> <p>Message Destination - Both</p> | | |
| <p>Creator: John Ledbetter Checked: 6-13-22 Date: 11/17/15 7:13 AM/6/13/22 2:07 PM</p> | <p>DFD Lineshop</p> | <p>Project: Station 28 door control Installation: File: Sta 28 drs 6-13-22.lsc</p> | <p>Customer: Denver Fire Dept. Diagram No.: Page: 13 / 18</p> |

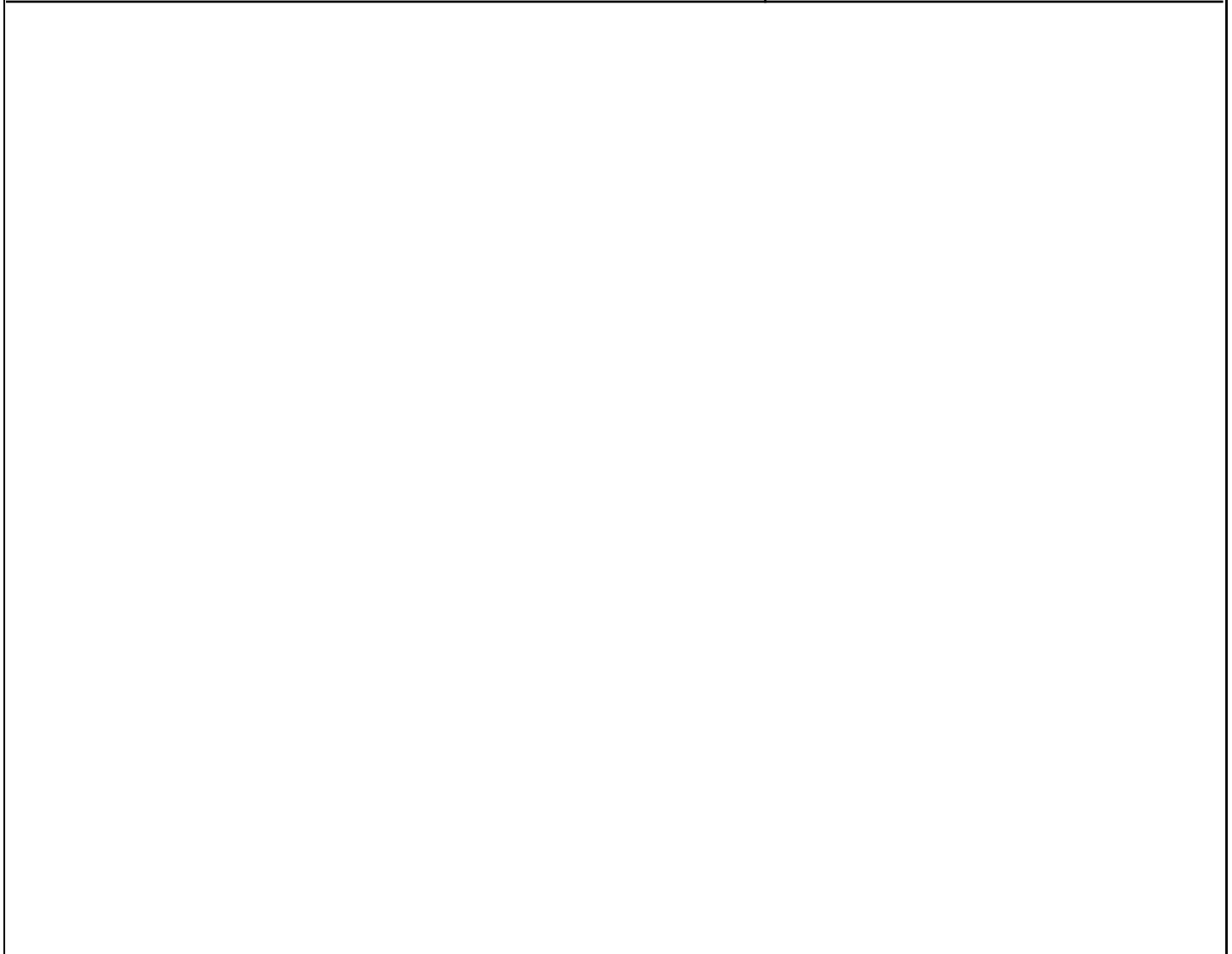
| Block Number (Type) | Parameter |
|--|--|
| <p>B024(Message texts) : CENTER DOOR IS OPEN - MESSAGE</p>  <p>Line3.1 B010 clts tmr-THRest Line4.1 B020 cfn tmr-THRest</p> | <p>Prio = 1 Quit = off Text1: enabled Text2: disabled</p> <p>Ticker setting - CBC - Line1: N - Line2: N - Line3: N - Line4: N - Line5: N - Line6: N Message Destination - Both</p> |
| <p>B025(Message texts) : EAST DOOR IS OPEN - MESSAGE</p>  <p>Line3.1 B009 elts tmr-THRest Line4.1 B015 efn tmr-THRest</p> | <p>Prio = 2 Quit = off Text1: enabled Text2: disabled</p> <p>Ticker setting - CBC - Line1: N - Line2: N - Line3: N - Line4: N - Line5: N - Line6: N Message Destination - Both</p> |
| <p>B026(Message texts) : RIG EXHAUST FAN TIME AND COUNT MESSAGE</p>  | <p>Prio = 3 Quit = off Text1: enabled Text2: disabled</p> <p>Ticker setting - CBC - Line1: N - Line2: N - Line3: N - Line4: N - Line5: N - Line6: N Message Destination - Both</p> |
| <p>B027(Edge-triggered interval time-delay relay) :</p> | <p>Rem = off 14:90s+ 00:00s 1</p> |

| Block Number (Type) | Parameter |
|---|---------------------------------------|
| B029(Edge-triggered interval time-delay relay) : | Rem = off 01:50s+ 00:00s 1 |
| B030(Edge-triggered interval time-delay relay) : | Rem = off 03:34m+ 00:00s 1 |
| B031(On-delay) : | Rem = off 00:50s+ |
| B032 wdr cntr(Up/Down counter) : | Rem = on On=0+ Off=0 Start=0 |
| B033 cdr cntr(Up/Down counter) : | Rem = on On=0+ Off=0 Start=0 |
| B034 edr cntr(Up/Down counter) : | Rem = on On=0+ Off=0 Start=0 |
| B035(Edge-triggered interval time-delay relay) : | Rem = off 00:10s+ 00:00s 1 |
| B036(Edge-triggered interval time-delay relay) : | Rem = off 00:10s+ 00:00s 1 |
| B037(Asynchronous pulse generator) : | Rem = off 02:00s+ 01:00s |
| B038 buffer(Edge-triggered interval time-delay relay) : | Rem = off 01:00m+ 00:00s 1 |
| B039 buffer(Edge-triggered interval time-delay relay) : | Rem = off 01:00m+ 00:00s 1 |
| B040 buffer(Edge-triggered interval time-delay relay) : | Rem = off 01:00m+ 00:00s 1 |
| B041 fan cntr(Up/Down counter) : | Rem = on On=0+ Off=0 Start=0 |
| B042 fnhrcntr(Operating hours counter) : | Ml= 0h 0m+ 01= 0h 0m Q->0=R+En |
| B043(Edge-triggered interval time-delay relay) : | Rem = off 01:50s+ 00:00s 1 |
| B044 bckupclt(Edge-triggered interval time-delay relay) : | Rem = off 02:00m+ 00:00s 1 |
| B046 bckupwlt(Edge-triggered interval time-delay relay) : | Rem = off 02:00m+ 00:00s 1 |
| B047(On-delay) : | Rem = off 15:00s+ |
| B048(Edge-triggered interval time-delay relay) : | Rem = off 14:90s+ 00:00s 1 |

| Block Number (Type) | Parameter |
|---|---|
| B049(Asynchronous pulse generator) : | Rem = off 02:00s+ 01:00s |
| B051(Edge-triggered interval time-delay relay) : | Rem = off 01:50s+ 00:00s 1 |
| B055(Edge-triggered interval time-delay relay) : | Rem = off 00:10s+ 00:00s 1 |
| B058(Asynchronous pulse generator) : | Rem = off 00:50s+ 00:50s |
| B059(Edge-triggered interval time-delay relay) : | Rem = off 04:00s+ 00:00s 1 |
| B060(On-delay) : | Rem = off 04:23s+ |
| B061(Edge-triggered interval time-delay relay) : | Rem = off 20:00s+ 00:00s 1 |
| B062(Edge-triggered interval time-delay relay) : | Rem = off 00:50s+ 00:00s 1 |
| B063(Edge-triggered interval time-delay relay) : | Rem = off 00:50s+ 00:00s 1 |
| B064(Edge-triggered interval time-delay relay) : | Rem = off 00:50s+ 00:00s 1 |
| B065(On-delay) : | Rem = off 10:00s+ |
| B066(On-delay) : | Rem = off 10:00s+ |
| B068 bckupelt(Edge-triggered interval time-delay relay) : | Rem = off 02:00m+ 00:00s 1 |
| B069(Asynchronous pulse generator) : | Rem = off 02:00s+ 01:00s |
| B070(On-delay) : | Rem = off 15:00s+ |
| B071(Edge-triggered interval time-delay relay) : | Rem = off 14:90s+ 00:00s 1 |
| B072(Astronomical clock) : | Lot: W105°2'56"+ Lat: N39°38'18" TZ: -7 Sunrise offset: 20 Sunset offset: -20 |
| I1(Input) : EAST DOOR | |
| I2(Input) : CENTER DOOR | |
| I3(Input) : WEST DOOR | |
| I4(Input) : ex fan selector sw on | |

| | | | | | | |
|----------|----------------------------------|--------------|---------------|-------------------------|--------------|-------------------|
| Creator: | John Ledbetter | DFD Lineshop | Project: | Station 28 door control | Customer: | Denver Fire Dept. |
| Checked: | 6-13-22 | | Installation: | | Diagram No.: | |
| Date: | 11/17/15 7:13 AM/6/13/22 2:07 PM | | File: | Sta 28 drs 6-13-22.lsc | Page: | 16 / 18 |

| Block Number (Type) | Parameter |
|--|-----------|
| I5(Input) : Ex fan selector sw timed | |
| I6(Input) : VOCALARM | |
| I9(Input) : East door remote | |
| I10(Input) : Center door remote | |
| I11(Input) : West door remote | |
| Q1(Output) : APPARATUS BAY LIGHTS | |
| Q2(Output) : Rig ex fan | |
| Q3(Output) : Back up LED lights | |
| Q4(Output) : INPUT 1=STARTS COUNT UP, NEEDS HELD | |
| Q5(Output) : INPUT TWO=RESETS TO ZERO | |



| Connection | Label |
|------------|---------------------|
| I1 | |
| I2 | |
| I3 | |
| I4 | |
| I5 | |
| I6 | |
| I9 | |
| I10 | |
| I11 | |
| M1 | |
| M2 | |
| M3 | |
| M4 | |
| M5 | |
| M6 | |
| M7 | |
| M8 | Initialization Flag |
| M9 | |
| M14 | |
| Q1 | |
| Q2 | |
| Q3 | |
| Q4 | |
| Q5 | |
| Q6 | |
| Q7 | |
| Q8 | |

| | | | | | |
|--|--|--|--|--|--|
| | | | | | |
|--|--|--|--|--|--|

| | | | | | | |
|----------|----------------------------------|--------------|---------------|-------------------------|--------------|-------------------|
| Creator: | John Ledbetter | DFD Lineshop | Project: | Station 28 door control | Customer: | Denver Fire Dept. |
| Checked: | 6-13-22 | | Installation: | | Diagram No.: | |
| Date: | 11/17/15 7:13 AM/6/13/22 2:07 PM | | File: | Sta 28 drs 6-13-22.lsc | Page: | 18 / 18 |