

Comment

Worked for contact bounce on counters, YES
and exterior buzzers shut off at night,
copied from sta 18 (9-10-18) and tweaked considerably,
prgrm does not allow a visitor to repeatedly push door button numerous times TOO FAST,
added a Q8 for exterior speakers timer
Dwnlded 6-26-19 all cnts reset to zero
7-24-19 printed & delivered hi quality pdf program sheets, done
5-6-20 no remote lineshop contact so go to sta 39 and rework, oops found out there is no CAT 6 going to it, so no ability to
connect remotely. redwnld w/ minor non critical tweaks, save to card yes.
Counts read Dr 1 cnt 312, Dr 2 cnt 114, Dr 3 cnt 24, Dr 4 cnt 36, all cnts reset to zero.
Made Panasonic MDT local connection with IP address 192.168.022.039 Subnet 255.255.0.0 Gateway . . .

Creator:	JBL	DFD Lineshop	Project:	Doorbells and exterior speakers	Customer:	
Checked:	5-6-20		Installation:	Station 39	Diagram No.:	
Date:	5/15/13 7:02 AM/6/10/22 9:27 AM		File:	Sta 39 Drbells 5-6-20.lsc	Page:	1 / 15

Module Address

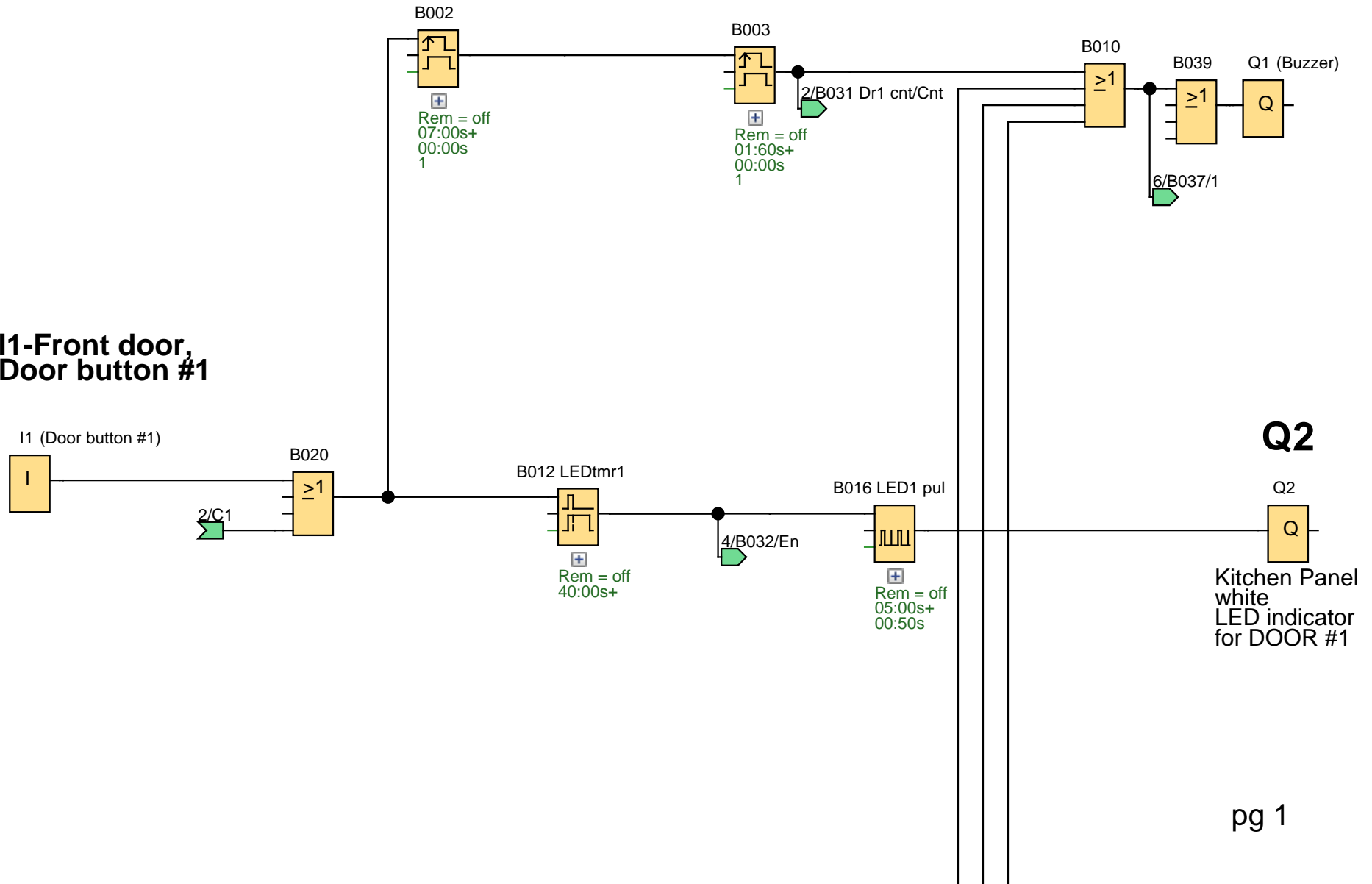
IP Address 192.168.22.39
Subnet Mask: 255.255.0.0
Default gateway

Creator:	JBL	DFD Lineshop	Project:	Doorbells and exterior speakers	Customer:	
Checked:	5-6-20		Installation:	Station 39	Diagram No.:	
Date:	5/15/13 7:02 AM/6/10/22 9:27 AM		File:	Sta 39 Drbells 5-6-20.lsc	Page:	2 / 15

Station 39 Doorbells, Ext speakers
5-6-20 WINDLGC version 8.0
hardware Smart F-IP address 192.168.022.039 but no cat 6 here

**Q1
Interior
Buzzers**

**I1-Front door,
Door button #1**



**Q2
Kitchen Panel
white
LED indicator
for DOOR #1**

Creator:	JBL	DFD Lineshop	Project:	Doorbells and exterior speakers	Customer:	
Checked:	5-6-20		Installation:	Station 39	Diagram No.:	
Date:	5/15/13 7:02 AM/6/10/22 9:27 AM		File:	Sta 39 Drbells 5-6-20.lsc	Page:	3 / 15

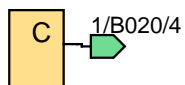
Station 39 Doorbells

COUNTER SECTION

CURSOR KEY SECTION

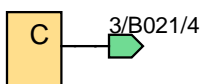
DOOR #1

C1



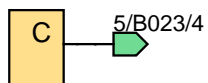
DOOR #2

C4



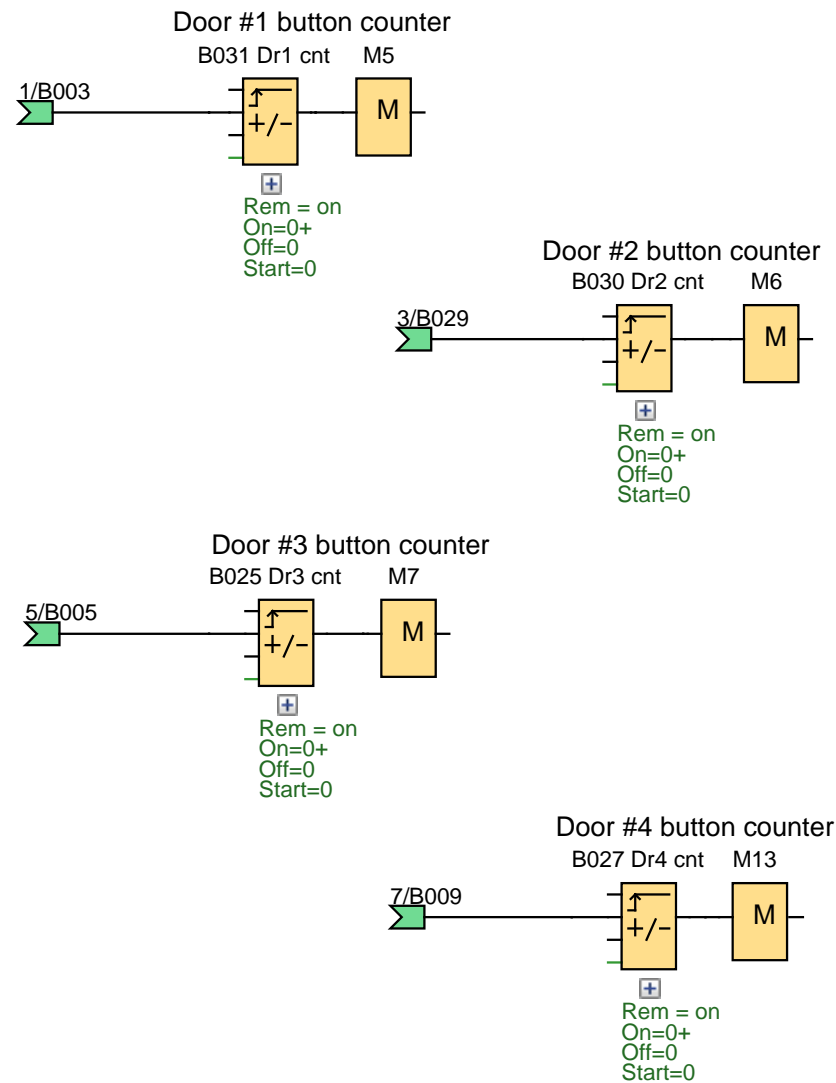
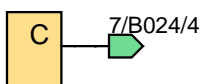
DOOR #3

C2



DOOR #4

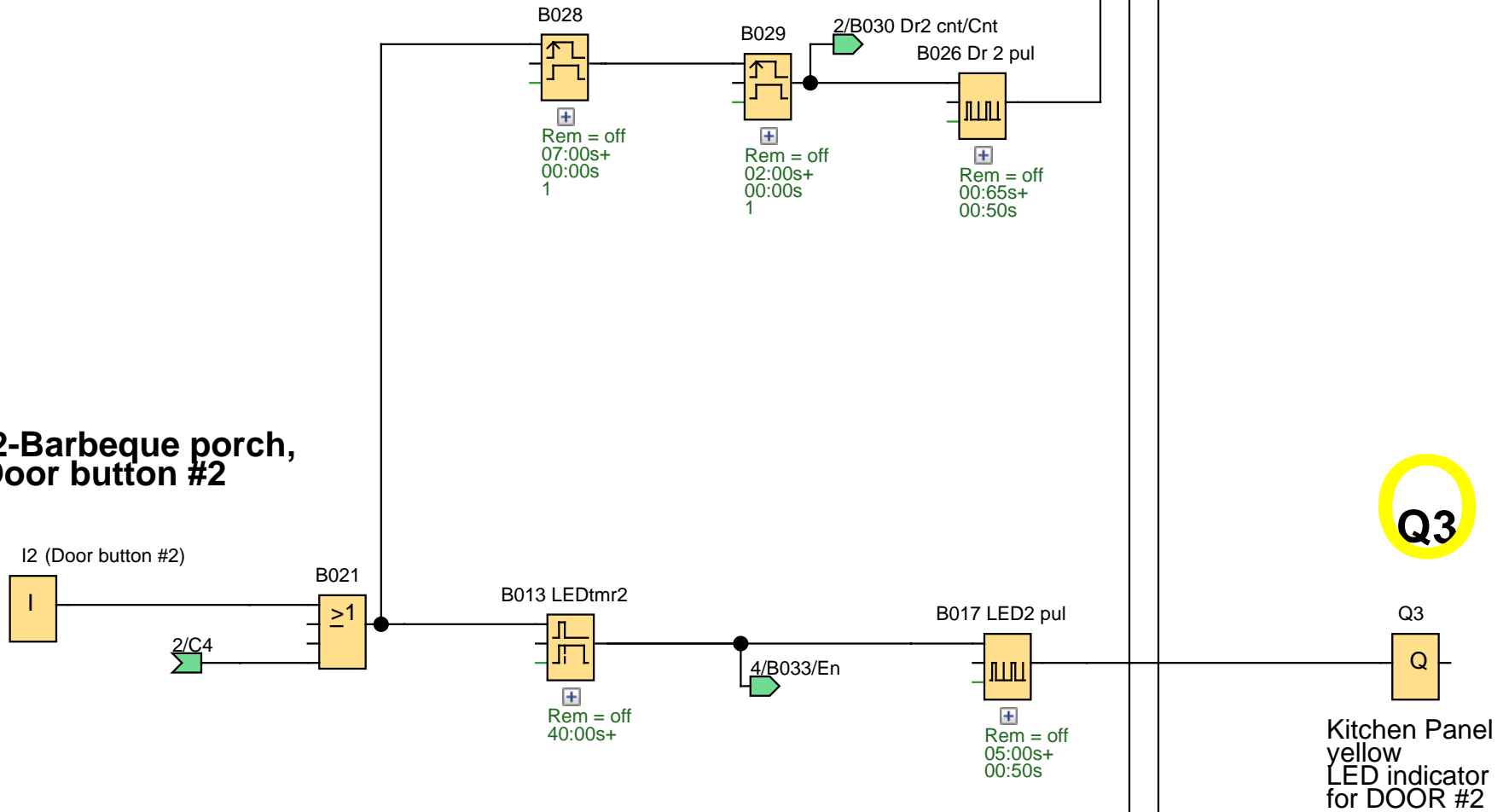
C3



Creator:	JBL	DFD Lineshop	Project:	Doorbells and exterior speakers	Customer:	
Checked:	5-6-20		Installation:	Station 39	Diagram No.:	
Date:	5/15/13 7:02 AM/6/10/22 9:27 AM		File:	Sta 39 Drbells 5-6-20.lsc	Page:	4 / 15

Station 39 Doorbells

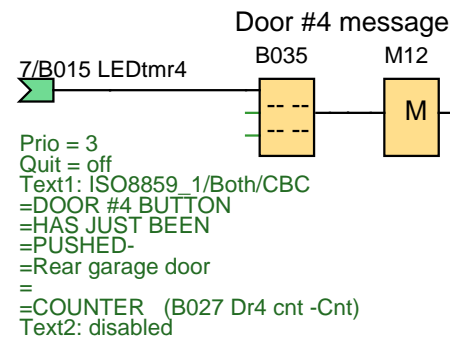
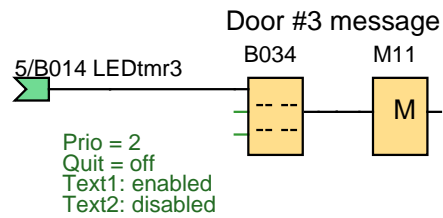
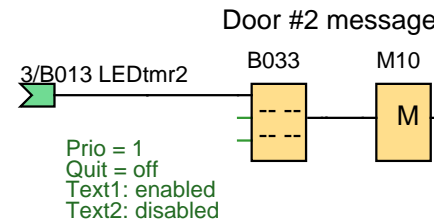
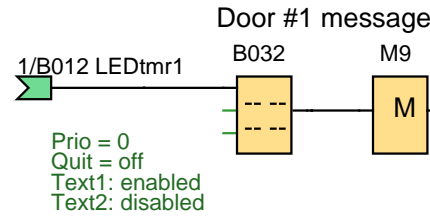
I2-Barbeque porch,
Door button #2



Creator:	JBL	DFD Lineshop	Project:	Doorbells and exterior speakers	Customer:	
Checked:	5-6-20		Installation:	Station 39	Diagram No.:	
Date:	5/15/13 7:02 AM/6/10/22 9:27 AM		File:	Sta 39 Drbells 5-6-20.lsc	Page:	5 / 15

Station 39 Doorbells

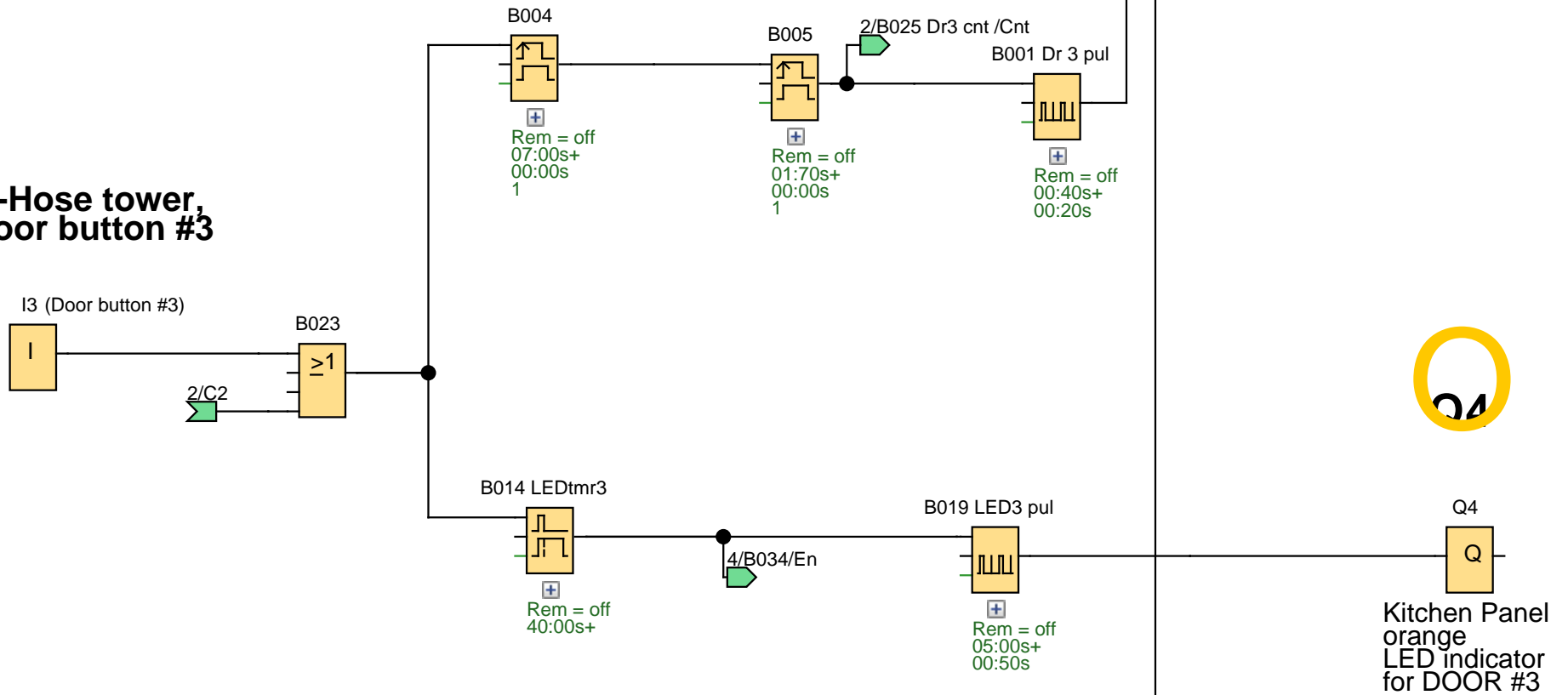
MESSAGE SECTION



Creator:	JBL	DFD Lineshop	Project:	Doorbells and exterior speakers	Customer:	
Checked:	5-6-20		Installation:	Station 39	Diagram No.:	
Date:	5/15/13 7:02 AM/6/10/22 9:27 AM		File:	Sta 39 Drbells 5-6-20.lsc	Page:	6 / 15

Station 39 Doorbells

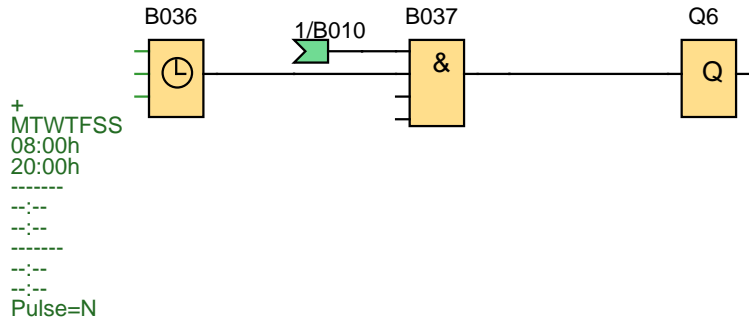
I3-Hose tower,
Door button #3



Creator:	JBL	Project:	Doorbells and exterior speakers	Customer:	
Checked:	5-6-20	Installation:	Station 39	Diagram No.:	
Date:	5/15/13 7:02 AM/6/10/22 9:27 AM	DFD Lineshop	File:	Sta 39 Drbells 5-6-20.lsc	Page: 7 / 15

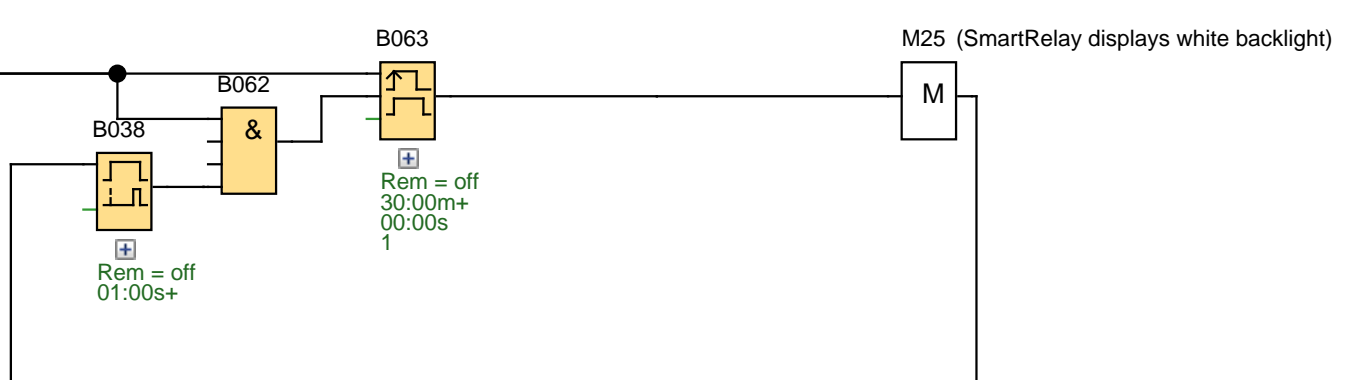
Q6-Exterior buzzers

Keeps outside buzzer off at night



I12- SMART RELAY display screen light

Push white button in control box, for 30 minutes of Smart screen light. Push again = "OFF"

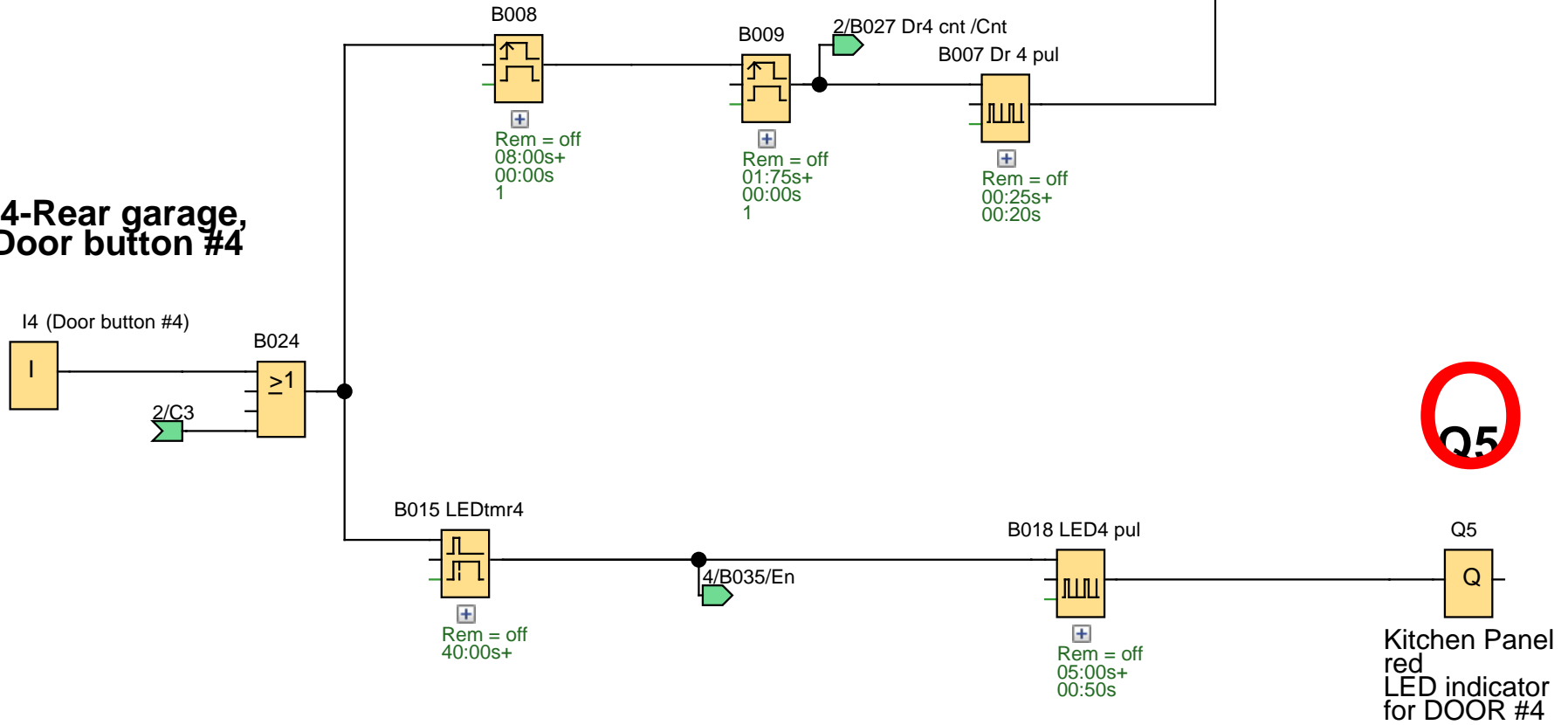


pg 7

Creator:	JBL	DFD Lineshop	Project:	Doorbells and exterior speakers	Customer:	
Checked:	5-6-20		Installation:	Station 39	Diagram No.:	
Date:	5/15/13 7:02 AM/6/10/22 9:27 AM		File:	Sta 39 Drbells 5-6-20.lsc	Page:	8 / 15

Station 39 Doorbells

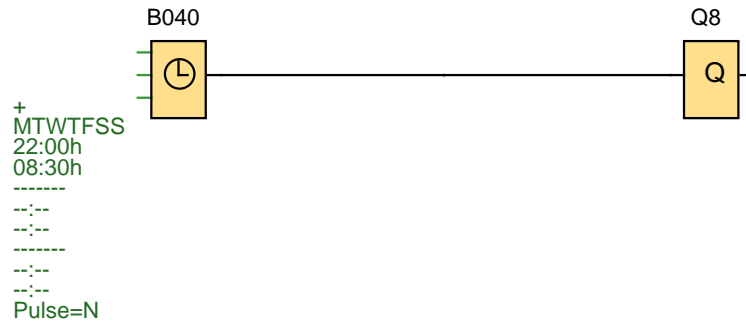
I4-Rear garage,
Door button #4



Creator:	JBL	DFD Lineshop	Project:	Doorbells and exterior speakers	Customer:	
Checked:	5-6-20		Installation:	Station 39	Diagram No.:	
Date:	5/15/13 7:02 AM/6/10/22 9:27 AM		File:	Sta 39 Drbells 5-6-20.lsc	Page:	9 / 15

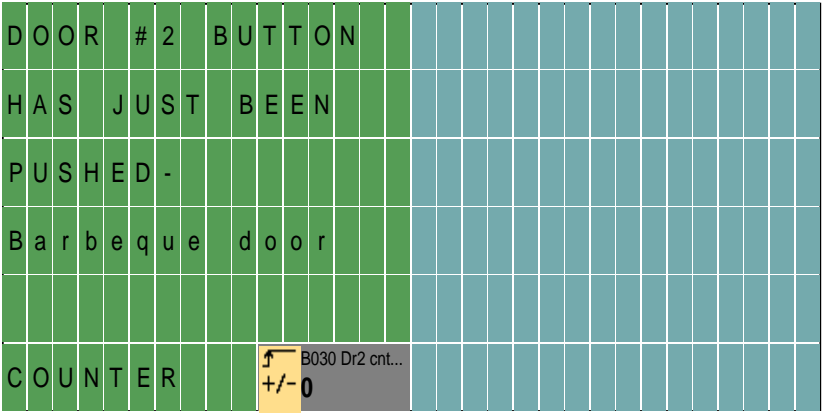
Station 39 Exterior speakers

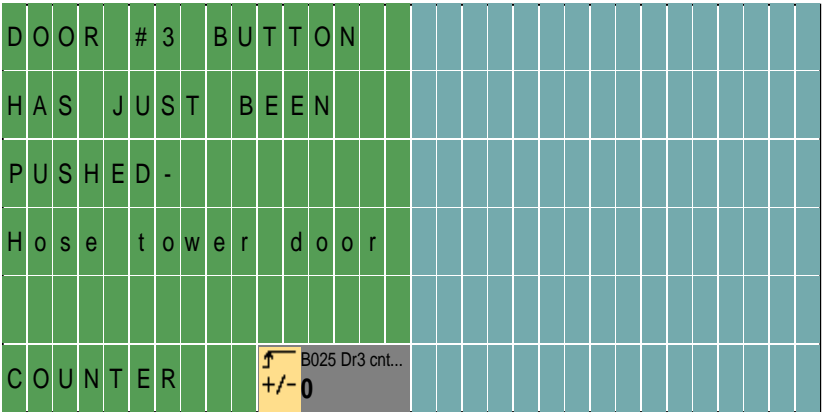
**Q8- Controls exterior speakers
in speaker box.**

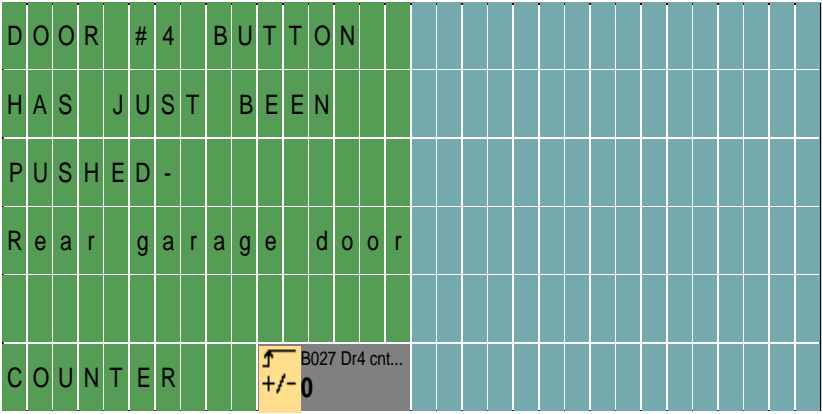


Creator:	JBL	DFD Lineshop	Project:	Doorbells and exterior speakers	Customer:	
Checked:	5-6-20		Installation:	Station 39	Diagram No.:	
Date:	5/15/13 7:02 AM/6/10/22 9:27 AM		File:	Sta 39 Drbells 5-6-20.lsc	Page:	10 / 15

Block Number (Type)	Parameter					
B001 Dr 3 pul(Asynchronous pulse generator) :	Rem = off 00:40s+ 00:20s					
B002(Edge-triggered interval time-delay relay) :	Rem = off 07:00s+ 00:00s 1					
B003(Edge-triggered interval time-delay relay) :	Rem = off 01:60s+ 00:00s 1					
B004(Edge-triggered interval time-delay relay) :	Rem = off 07:00s+ 00:00s 1					
B005(Edge-triggered interval time-delay relay) :	Rem = off 01:70s+ 00:00s 1					
B007 Dr 4 pul(Asynchronous pulse generator) :	Rem = off 00:25s+ 00:20s					
B008(Edge-triggered interval time-delay relay) :	Rem = off 08:00s+ 00:00s 1					
B009(Edge-triggered interval time-delay relay) :	Rem = off 01:75s+ 00:00s 1					
B012 LEDtmr1 (Off-delay) :	Rem = off 40:00s+					
B013 LEDtmr2(Off-delay) :	Rem = off 40:00s+					
B014 LEDtmr3(Off-delay) :	Rem = off 40:00s+					
B015 LEDtmr4(Off-delay) :	Rem = off 40:00s+					
B016 LED1 pul(Asynchronous pulse generator) :	Rem = off 05:00s+ 00:50s					
B017 LED2 pul(Asynchronous pulse generator) :	Rem = off 05:00s+ 00:50s					
B018 LED4 pul(Asynchronous pulse generator) :	Rem = off 05:00s+ 00:50s					
B019 LED3 pul(Asynchronous pulse generator) :	Rem = off 05:00s+ 00:50s					
B025 Dr3 cnt (Up/Down counter) : Door #3 button counter	Rem = on On=0+ Off=0 Start=0					
B026 Dr 2 pul(Asynchronous pulse generator) :	Rem = off 00:65s+ 00:50s					
B027 Dr4 cnt (Up/Down counter) : Door #4 button counter	Rem = on On=0+ Off=0 Start=0					
Creator:	JBL	DFD Lineshop	Project:	Doorbells and exterior speakers	Customer:	
Checked:	5-6-20	DFD Lineshop	Installation:	Station 39	Diagram No.:	
Date:	5/15/13 7:02 AM/6/10/22 9:27 AM	DFD Lineshop	File:	Sta 39 Drbells 5-6-20.lsc	Page:	11 / 15

Block Number (Type)	Parameter					
B028(Edge-triggered interval time-delay relay) :	Rem = off 07:00s+ 00:00s 1					
B029(Edge-triggered interval time-delay relay) :	Rem = off 02:00s+ 00:00s 1					
B030 Dr2 cnt(Up/Down counter) : Door #2 button counter	Rem = on On=0+ Off=0 Start=0					
B031 Dr1 cnt(Up/Down counter) : Door #1 button counter	Rem = on On=0+ Off=0 Start=0					
<p>B032(Message texts) : Door #1 message</p>  <p>Line6.11 B031 Dr1 cnt-Cnt</p>	<p>Prio = 0 Quit = off Text1: enabled Text2: disabled</p> <p>Ticker setting - CBC - Line1: N - Line2: N - Line3: N - Line4: N - Line5: N - Line6: N Message Destination - Both</p>					
<p>B033(Message texts) : Door #2 message</p>  <p>Line6.11 B030 Dr2 cnt-Cnt</p>	<p>Prio = 1 Quit = off Text1: enabled Text2: disabled</p> <p>Ticker setting - CBC - Line1: N - Line2: N - Line3: N - Line4: N - Line5: N - Line6: N Message Destination - Both</p>					
Creator:	JBL	DFD Lineshop	Project:	Doorbells and exterior speakers	Customer:	
Checked:	5-6-20		Installation:	Station 39	Diagram No.:	
Date:	5/15/13 7:02 AM/6/10/22 9:27 AM		File:	Sta 39 Drbells 5-6-20.lsc	Page:	12 / 15

Block Number (Type)	Parameter
<p>B034(Message texts) : Door #3 message</p>  <p>Line6.11 B025 Dr3 cnt -Cnt</p>	<p>Prio = 2 Quit = off Text1: enabled Text2: disabled</p> <p>--> Ticker setting - CBC - Line1: N - Line2: N - Line3: N - Line4: N - Line5: N - Line6: N Message Destination - Both</p>

<p>B035(Message texts) : Door #4 message</p>  <p>Line6.11 B027 Dr4 cnt -Cnt</p>	<p>Prio = 3 Quit = off Text1: ISO8859_1/Both/CBC =DOOR #4 BUTTON =HAS JUST BEEN =PUSHED- =Rear garage door =COUNTER (B027 Dr4 cnt -Cnt) Text2: disabled</p> <p>--> Ticker setting - CBC - Line1: N - Line2: N - Line3: N - Line4: N - Line5: N - Line6: N Message Destination - Both</p>
---	---

<p>B036(Seven-day time switch) : Keeps outside buzzer off at night</p>	<p>+ MTWTFSS 08:00h 20:00h ----- --:-- --:-- ----- --:-- --:-- ----- Pulse=N</p>
--	--

<p>B038(On-delay) :</p>	<p>Rem = off 01:00s+</p>
-------------------------	------------------------------

<p>B040(Seven-day time switch) :</p>	<p>+ MTWTFSS 22:00h 08:30h ----- --:-- --:-- ----- --:-- --:-- ----- Pulse=N</p>
--------------------------------------	--

Creator:	JBL	DFD Lineshop	Project:	Doorbells and exterior speakers	Customer:	
Checked:	5-6-20		Installation:	Station 39	Diagram No.:	
Date:	5/15/13 7:02 AM/6/10/22 9:27 AM		File:	Sta 39 Drbells 5-6-20.lsc	Page:	13 / 15

Block Number (Type)	Parameter					
B063(Edge-triggered interval time-delay relay) :	Rem = off 30:00m+ 00:00s 1					
C1 (Cursor key) : DOOR #1						
C2 (Cursor key) : DOOR #3						
C3 (Cursor key) : DOOR #4						
C4 (Cursor key) : DOOR #2						
I1(Input) : 1-Front door, Door button #1						
I2(Input) : 2-Barbeque porch, Door button #2						
I3(Input) : 3-Hose tower, Door button #3						
I4(Input) : 4-Rear garage, Door button #4						
Q1(Output) : Q1 Interior Buzzers						
Q2(Output) : Kitchen Panel white LED indicator for DOOR #1						
Q3(Output) : Kitchen Panel yellow LED indicator for DOOR #2						
Q4(Output) : Kitchen Panel orange LED Indicator for DOOR #3						
Q5(Output) : Kitchen Panel red LED indicator for DOOR #4						
Q6(Output) : Q6-Exterior buzzers						
Q8(Output) : Q8- Controls exterior speakers in speaker box.						
Creator:	JBL	DFD Lineshop	Project:	Doorbells and exterior speakers	Customer:	
Checked:	5-6-20		Installation:	Station 39	Diagram No.:	
Date:	5/15/13 7:02 AM/6/10/22 9:27 AM		File:	Sta 39 Drbells 5-6-20.lsc	Page:	14 / 15

Connection	Label
C1	
C2	
C3	
C4	
I1	Door button #1
I2	Door button #2
I3	Door button #3
I4	Door button #4
I12	
M5	
M6	
M7	
M9	
M10	
M11	
M12	
M13	
M25	SmartRelay displays white backlight
Q1	Buzzer
Q2	
Q3	
Q4	
Q5	
Q6	
Q8	

Creator:	JBL	DFD Lineshop	Project:	Doorbells and exterior speakers	Customer:	
Checked:	5-6-20		Installation:	Station 39	Diagram No.:	
Date:	5/15/13 7:02 AM/6/10/22 9:27 AM		File:	Sta 39 Drbells 5-6-20.lsc	Page:	15 / 15