

Comment

6-17-19 dwnlded
7-24-19 printed & delivered hi quality pdf program sheets, yes, done

Creator:	JBL	DFD Lineshop	Project:		Customer:	Denver Fire Dept.
Checked:	7-24-19		Installation:		Diagram No.:	
Date:	6/12/19 7:01 AM/6/10/22 9:27 AM		File:	Sta 39 batwing batman.lsc	Page:	1 / 4

Sta 39 Batwing Batman door - front west door only 7-24-19

the smart relay for all this is in 12"x12" jbox by Plymovent control box, app bay, northwest.

I1-Door closing warning

Q1- Inside RED LIGHT

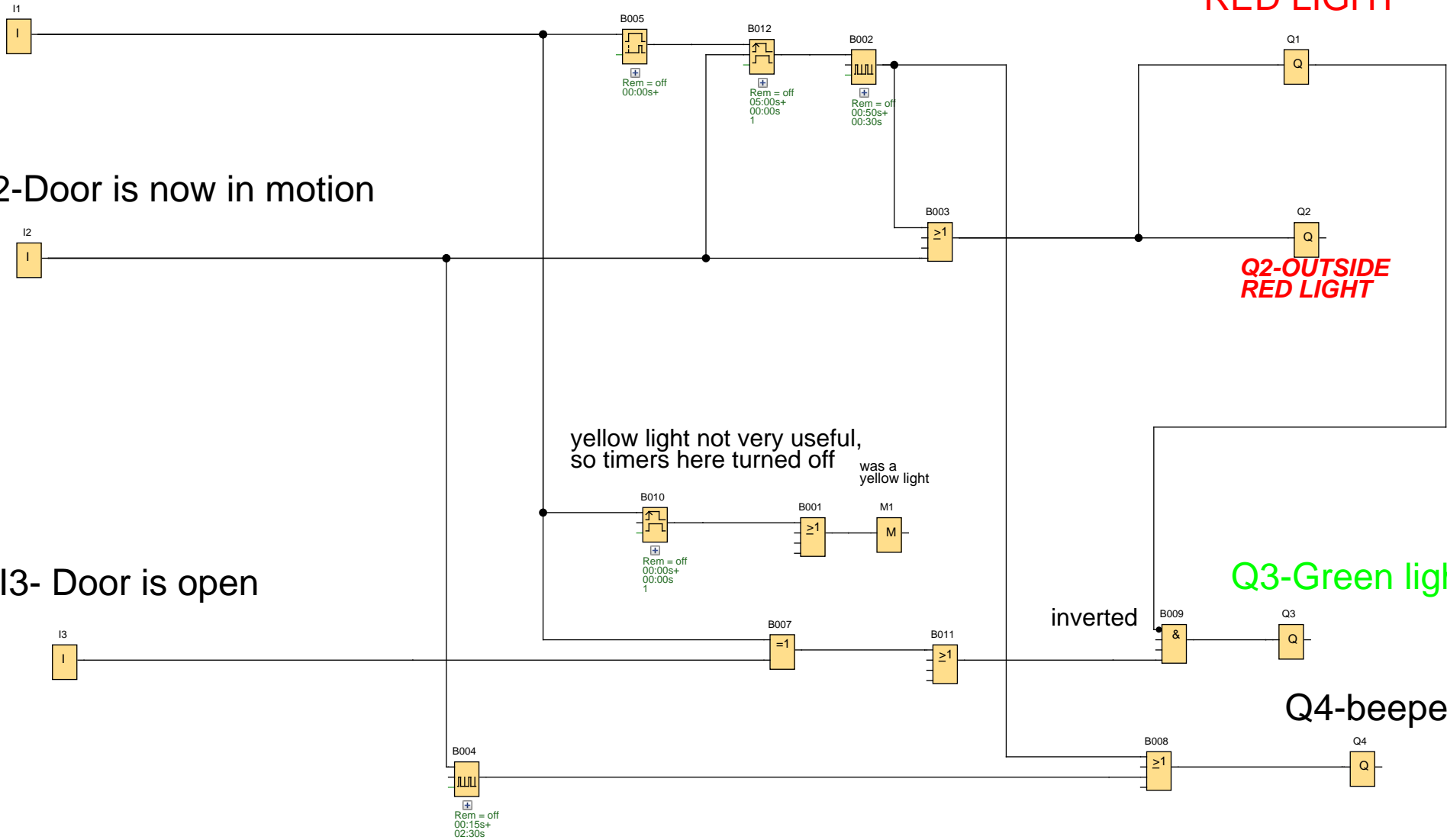
I2-Door is now in motion

Q2-OUTSIDE RED LIGHT

I3- Door is open

Q3-Green light

Q4-beeper



Creator:	JBL	DFD Lineshop	Project:		Customer:	Denver Fire Dept.
Checked:	7-24-19		Installation:		Diagram No.:	
Date:	6/12/19 7:01 AM/6/10/22 9:27 AM		File:	Sta 39 batwing batman.lsc	Page:	2 / 4

Block Number (Type)	Parameter
B002(Asynchronous pulse generator) :	Rem = off 00:50s+ 00:30s
B004(Asynchronous pulse generator) :	Rem = off 00:15s+ 02:30s
B005(On-delay) :	Rem = off 00:00s+
B010(Edge-triggered interval time-delay relay) :	Rem = off 00:00s+ 00:00s 1
B012(Edge-triggered interval time-delay relay) :	Rem = off 05:00s+ 00:00s 1
I1(Input) : I1-Door closing warning	
I2(Input) : I2-Door is now in motion	
I3(Input) : I3- Door is open	
M1(Memory marker) : was a yellow light	
Q1(Output) : Q1- Inside RED LIGHT	
Q2(Output) : Q2-OUTSIDE RED LIGHT	
Q3(Output) : Q3-Green light	
Q4(Output) : Q4-beeper	



Connection	Label
I1	
I2	
I3	
M1	
Q1	
Q2	
Q3	
Q4	



Creator:	JBL	DFD Lineshop	Project:		Customer:	Denver Fire Dept.
Checked:	7-24-19		Installation:		Diagram No.:	
Date:	6/12/19 7:01 AM/6/10/22 9:27 AM		File:	Sta 39 batwing batman.lsc	Page:	4 / 4