

Comment

1-31-19 added AES interconnect w/ sensor, added used expansion module
added counters for first time I believe
8-4-21 flash slowed on timer for bckup leds yes done
all counts except fn hrs reset to zero, mov added yes
1-31-22 added a dayroom red light on vocalarm to program, Duro electric installed red light, counts read aesoutcnt 0,
fnrcrnt 8815, fnoncnt 8818, sopencnt 3154, copencnt 9640, nopencnt 5193, fntmrsw 2, fanswon 7, exfanhrs 1567 h 50m,
exfanct 8818, sdrct 1925, cdrcnt 5021, ndrcnt 2694, redwided all counts to zero
8-4-22 installed on city IP address , installed new FS-05 type, MOV present yes, counters read aesoutcn 0, fnrcrnt 10512,
fnoncnt 10513, sopencnt 7857, copencnt 9167, nopencnt 5172, fn tmrsw 2, fansw on 4, exfanhrs 365h 30m, exfanct
10513, sdr cnt 4052, cdr cnt 4712, ndr cnt 2729,
9-19-22 so redwnlded I think, and all good online tests, counters ??

Creator:	John Ledbetter	Denver Fire Lineshop	Project:	Station 4 door project	Customer:	Denver Fire Department
Checked:	9-19-22		Installation:		Diagram No.:	
Date:	3/2/16 7:04 AM/9/19/22 9:36 AM		File:	Sta 4 drs 9-19-22.lsc	Page:	1 / 21

Module Address

IP Address 10.126.163.117
Subnet Mask: 255.255.255.240
Default gateway 10.126.163.113

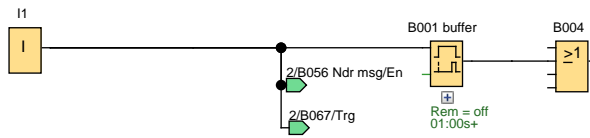
Creator:	John Ledbetter	Denver Fire Lineshop	Project:	Station 4 door project	Customer:	Denver Fire Department
Checked:	9-19-22		Installation:		Diagram No.:	
Date:	3/2/16 7:04 AM/9/19/22 9:36 AM		File:	Sta 4 drs 9-19-22.lsc	Page:	2 / 21

Station 4 Doors 9-19-22 type FS-05 verified

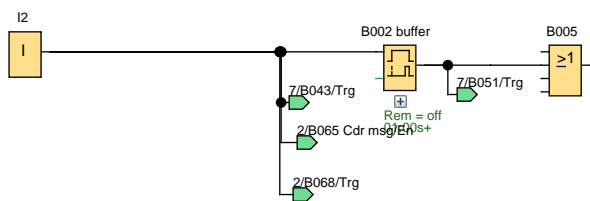
City IP address
 10.126.163.117
 255.255.255.240
 10.126.163.113

Door section, app. bay lts

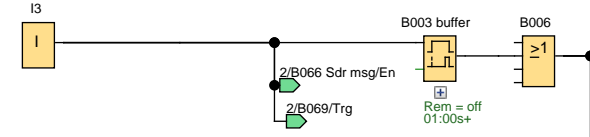
I1-NORTH DOOR



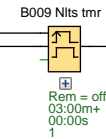
I2-CENTER DOOR



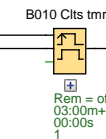
I3-SOUTH DOOR



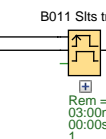
North Dr App
 bay lts
 timer



Center Dr App
 bay lights
 timer



South Dr App
 bay lights
 timer



Q1-APPARATUS
 BAY LIGHTS



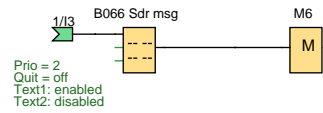
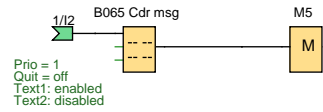
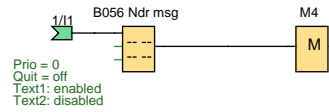
+ MTWTFSS
 08:00h
 16:00h

 :--:--
 :--:--
 :--:--
 :--:--
 :--:--
 :--:--
 :--:--
 Pulse=N

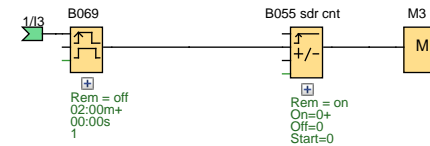
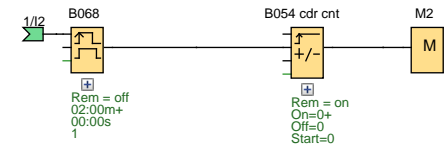
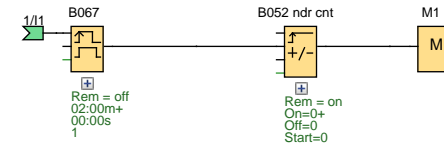
Creator:	John Ledbetter	Project:	Station 4 door project	Customer:	Denver Fire Department
Checked:	9-19-22	Installation:		Diagram No.:	
Date:	3/2/16 7:04 AM/9/19/22 9:36 AM	File:	Sta 4 drs 9-19-22.lsc	Page:	3 / 21
	Denver Fire Lineshop				

Sta 4

MESSAGE SECTION

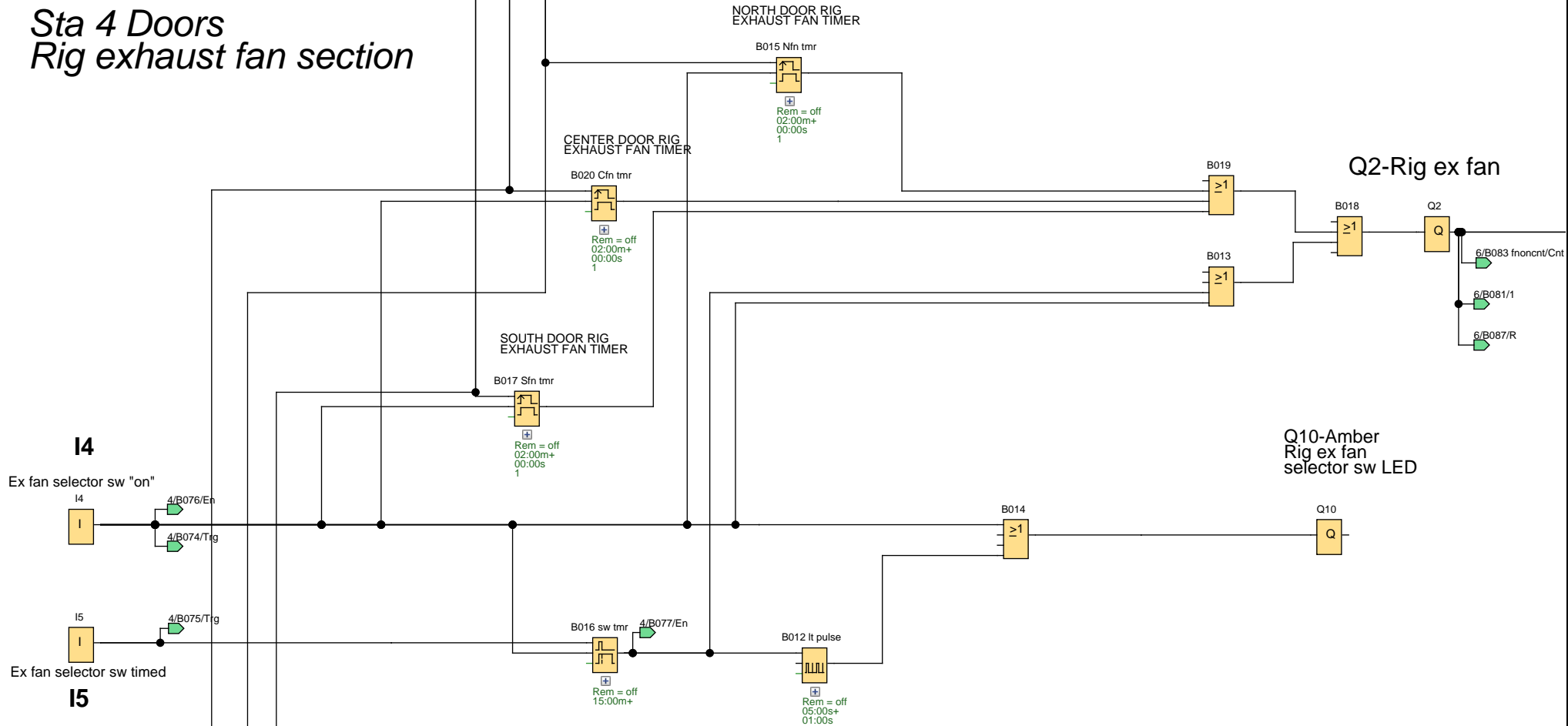


Counting sections



Creator:	John Ledbetter	Denver Fire Lineshop	Project:	Station 4 door project	Customer:	Denver Fire Department
Checked:	9-19-22		Installation:		Diagram No.:	
Date:	3/2/16 7:04 AM/9/19/22 9:36 AM		File:	Sta 4 drs 9-19-22.lsc	Page:	4 / 21

Sta 4 Doors Rig exhaust fan section

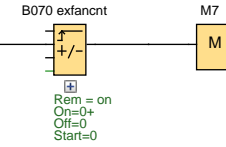


Creator:	John Ledbetter	Project:	Station 4 door project	Customer:	Denver Fire Department
Checked:	9-19-22	Installation:		Diagram No.:	
Date:	3/2/16 7:04 AM/9/19/22 9:36 AM	File:	Sta 4 drs 9-19-22.lsc	Page:	5 / 21
	Denver Fire Lineshop				

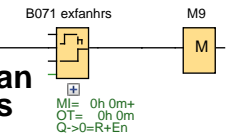
Sta 4

Counting sections

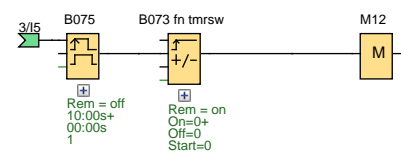
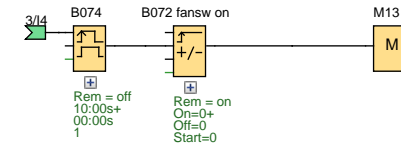
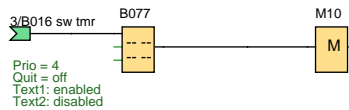
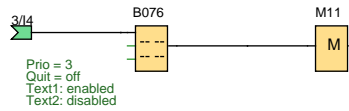
Rig fan "ON" count



Rig fan hours

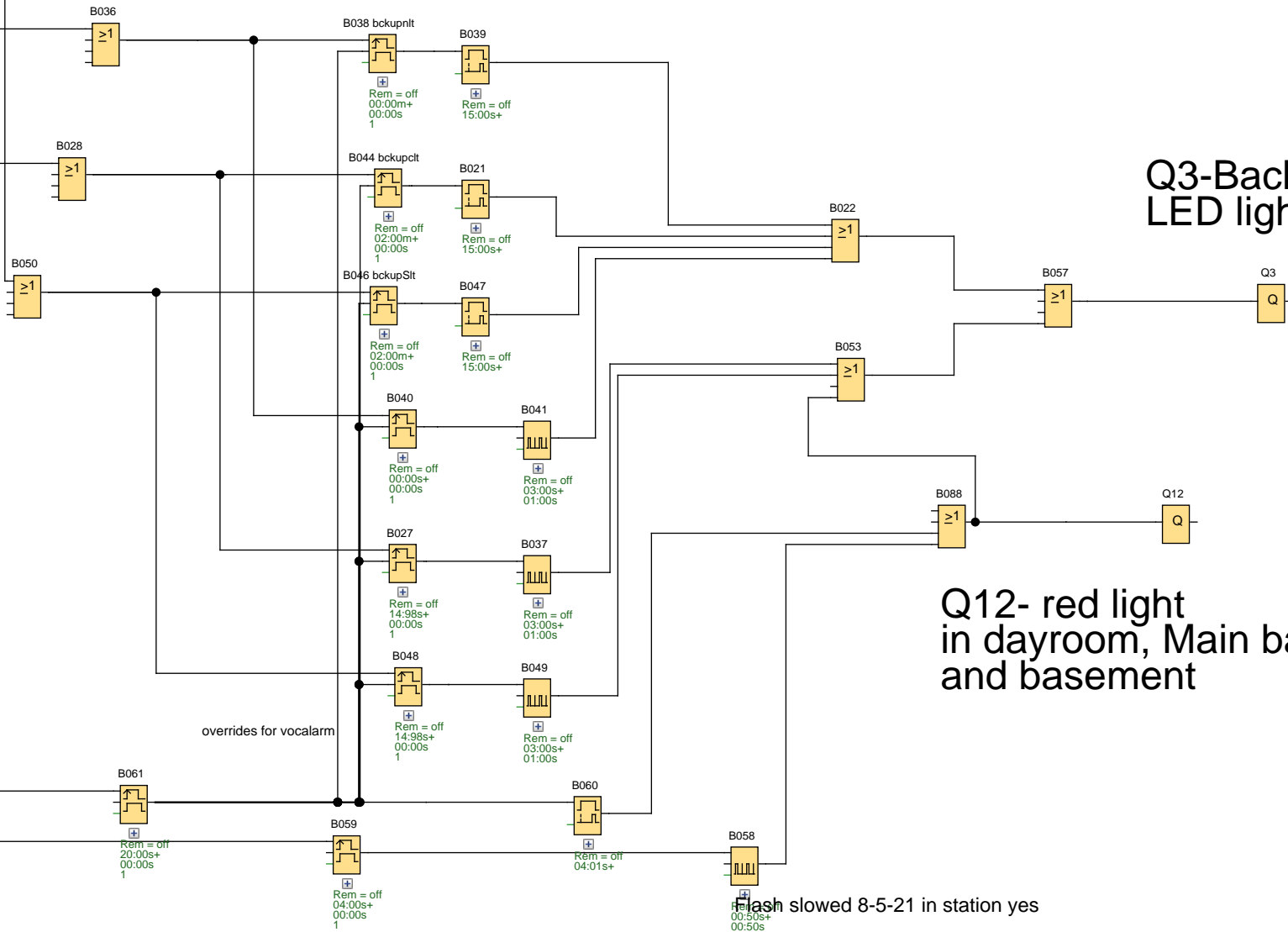


Message sections



Creator:	John Ledbetter	Denver Fire Lineshop	Project:	Station 4 door project	Customer:	Denver Fire Department
Checked:	9-19-22		Installation:		Diagram No.:	
Date:	3/2/16 7:04 AM/9/19/22 9:36 AM		File:	Sta 4 drs 9-19-22.lsc	Page:	6 / 21

Station 4 Doors
Back up LED light section



Q3-Back up LED lights

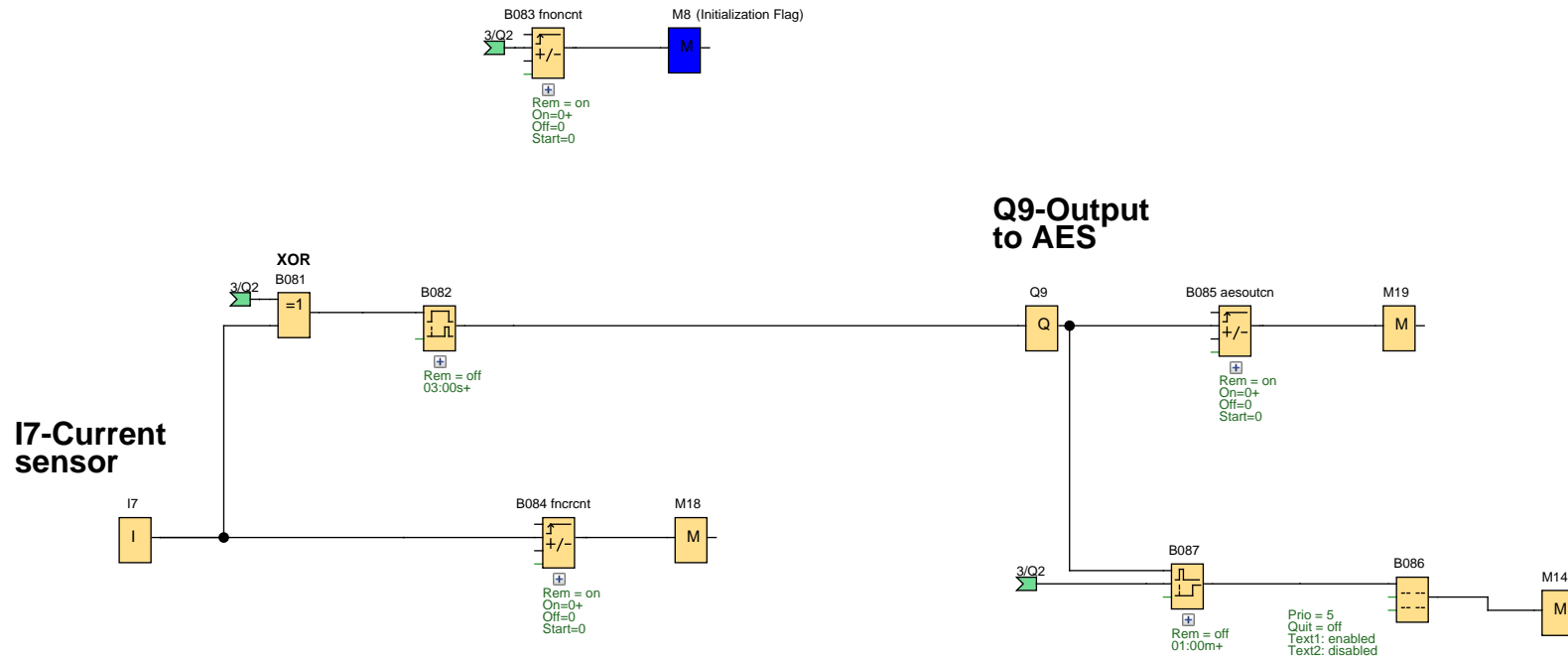
Q12- red light in dayroom, Main bathroom and basement

Flash slowed 8-5-21 in station yes

Creator:	John Ledbetter	Denver Fire Lineshop	Project:	Station 4 door project	Customer:	Denver Fire Department
Checked:	9-19-22		Installation:		Diagram No.:	
Date:	3/2/16 7:04 AM/9/19/22 9:36 AM		File:	Sta 4 drs 9-19-22.lsc	Page:	7 / 21

Sta 4

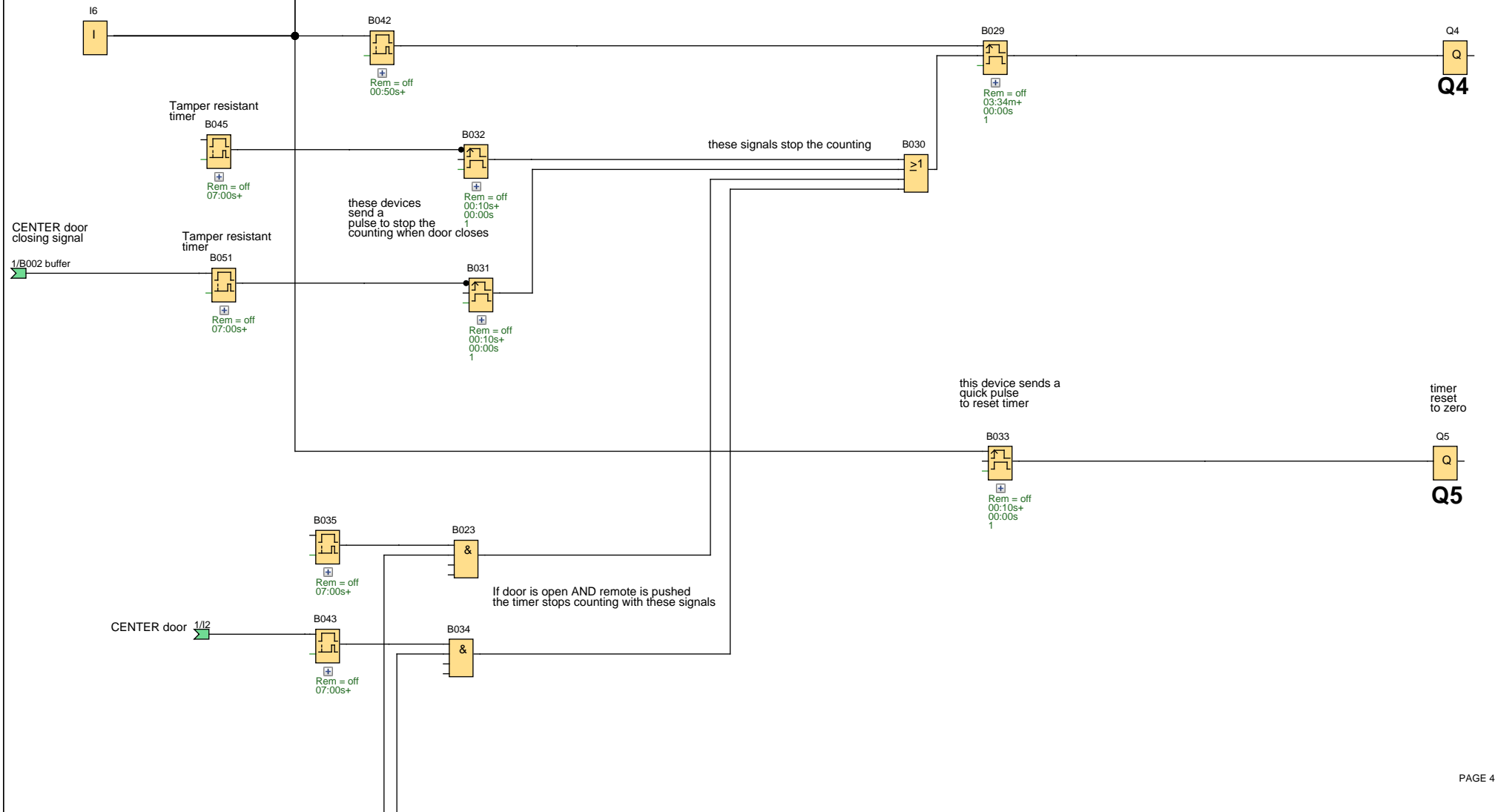
AES/RIG FAN SECTION,
 this tells if "calling for" rig fan
 and rig fan current is
 being produced at the same time



Creator:	John Ledbetter	Denver Fire Lineshop	Project:	Station 4 door project	Customer:	Denver Fire Department
Checked:	9-19-22		Installation:		Diagram No.:	
Date:	3/2/16 7:04 AM/9/19/22 9:36 AM		File:	Sta 4 drs 9-19-22.lsc	Page:	8 / 21

Sta 4 shot clock

I6-VOCALARM



Creator:	John Ledbetter	Denver Fire Lineshop	Project:	Station 4 door project	Customer:	Denver Fire Department
Checked:	9-19-22		Installation:		Diagram No.:	
Date:	3/2/16 7:04 AM/9/19/22 9:36 AM		File:	Sta 4 drs 9-19-22.lsc	Page:	9 / 21

Sta 4

Creator:	John Ledbetter	Denver Fire Lineshop	Project:	Station 4 door project	Customer:	Denver Fire Department
Checked:	9-19-22		Installation:		Diagram No.:	
Date:	3/2/16 7:04 AM/9/19/22 9:36 AM		File:	Sta 4 drs 9-19-22.lsc	Page:	10 / 21

Sta 4 Door Receiver pulse section

I10-NORTH door-receiver



This keeps engineer from repeat remote pushing



Rem = off
01:50s+
00:00s
1

B062 npulse



Rem = off
00:50s+
00:00s
1

Q6-To north opener white and orange



I11-CENTER door-receiver



This keeps engineer from repeat remote pushing



Rem = off
01:50s+
00:00s
1

B063 cpulse



Rem = off
00:50s+
00:00s
1

Q7-To center opener white and orange



I12-SOUTH door-receiver



This keeps engineer from repeat remote pushing



Rem = off
01:50s+
00:00s
1

B064 spulse



Rem = off
00:50s+
00:00s
1

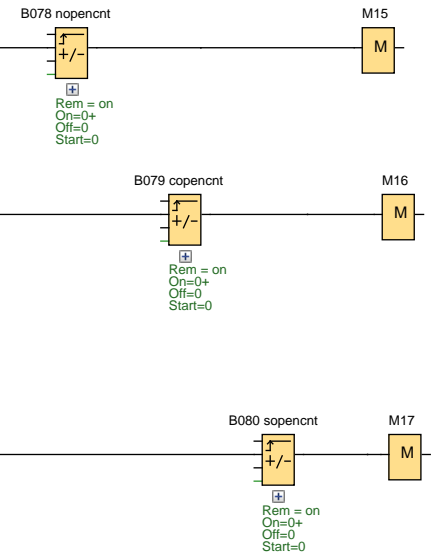
Q8-To south opener white and orange



Creator:	John Ledbetter	Denver Fire Lineshop	Project:	Station 4 door project	Customer:	Denver Fire Department
Checked:	9-19-22		Installation:		Diagram No.:	
Date:	3/2/16 7:04 AM/9/19/22 9:36 AM		File:	Sta 4 drs 9-19-22.lsc	Page:	11 / 21

Sta 4

Counting sections



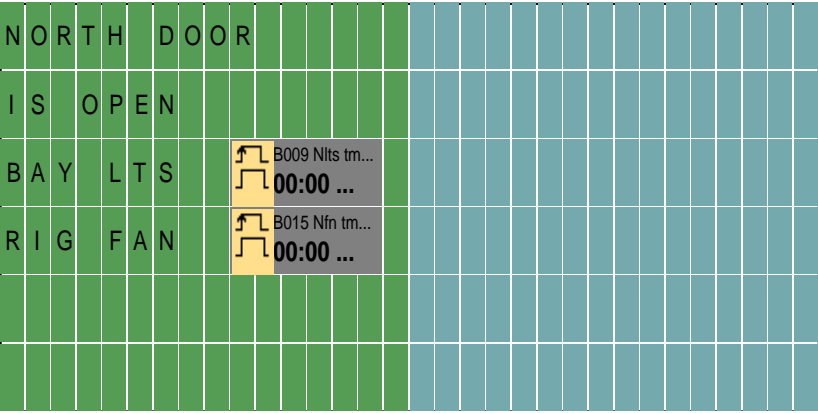
Creator:	John Ledbetter	Denver Fire Lineshop	Project:	Station 4 door project	Customer:	Denver Fire Department
Checked:	9-19-22		Installation:		Diagram No.:	
Date:	3/2/16 7:04 AM/9/19/22 9:36 AM		File:	Sta 4 drs 9-19-22.lsc	Page:	12 / 21

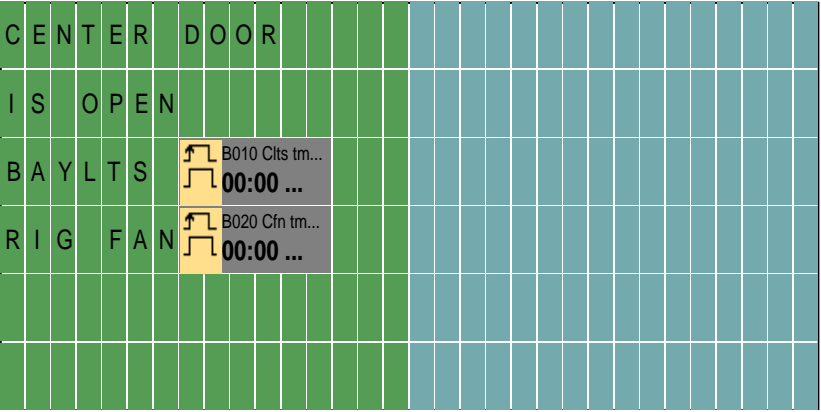
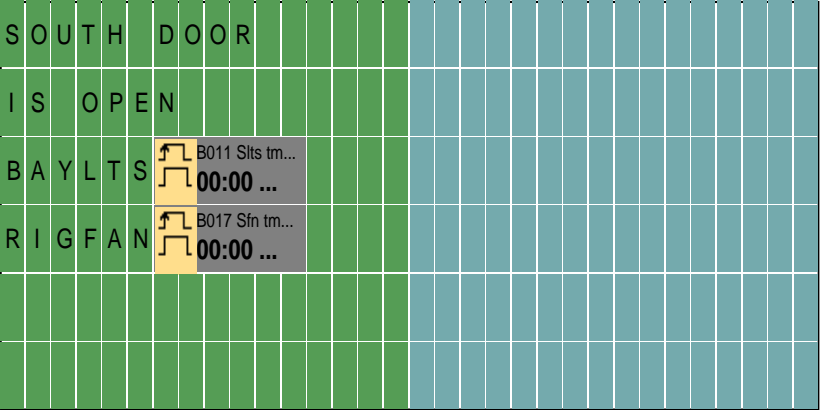
Block Number (Type)	Parameter
B001 buffer(On-delay) :	Rem = off 01:00s+
B002 buffer(On-delay) :	Rem = off 01:00s+
B003 buffer(On-delay) :	Rem = off 01:00s+
B008(Seven-day time switch) :	+ MTWTFSS 08:00h 16:00h ----- -:- -:- ----- -:- -:- ----- Pulse=N
B009 Nlts tmr(Edge-triggered interval time-delay relay) : North Dr App bay lts timer	Rem = off 03:00m+ 00:00s 1
B010 Clts tmr(Edge-triggered interval time-delay relay) : Center Dr App bay lights timer	Rem = off 03:00m+ 00:00s 1
B011 Slts tmr(Edge-triggered interval time-delay relay) : South Dr App bay lights timer	Rem = off 03:00m+ 00:00s 1
B012 lt pulse(Asynchronous pulse generator) :	Rem = off 05:00s+ 01:00s
B015 Nfn tmr(Edge-triggered interval time-delay relay) : NORTH DOOR RIG EXHAUST FAN TIMER	Rem = off 02:00m+ 00:00s 1
B016 sw tmr (Off-delay) :	Rem = off 15:00m+
B017 Sfn tmr(Edge-triggered interval time-delay relay) : SOUTH DOOR RIG EXHAUST FAN TIMER	Rem = off 02:00m+ 00:00s 1
B020 Cfn tmr(Edge-triggered interval time-delay relay) : CENTER DOOR RIG EXHAUST FAN TIMER	Rem = off 02:00m+ 00:00s 1
B021(On-delay) :	Rem = off 15:00s+
B024(Edge-triggered interval time-delay relay) : This keeps engineer from repeat remote pushing	Rem = off 01:50s+ 00:00s 1
B025(Edge-triggered interval time-delay relay) : This keeps engineer from repeat remote pushing	Rem = off 01:50s+ 00:00s 1
B026(Edge-triggered interval time-delay relay) : This keeps engineer form repeat remote pushing	Rem = off 01:50s+ 00:00s 1
B027(Edge-triggered interval time-delay relay) :	Rem = off 14:98s+ 00:00s 1
B029(Edge-triggered interval time-delay relay) : this device starts timer counting from zero with vocalarm	Rem = off 03:34m+ 00:00s 1

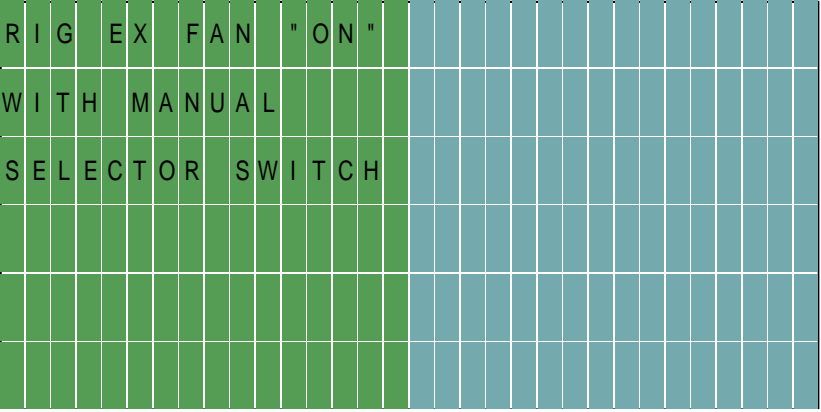
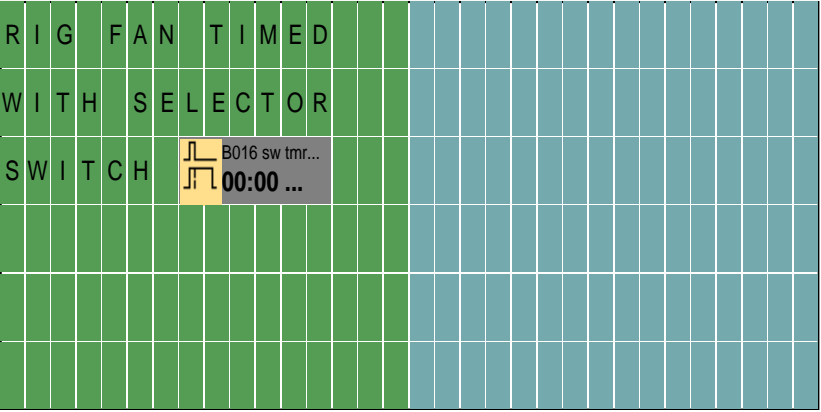
Creator:	John Ledbetter	Denver Fire Lineshop	Project:	Station 4 door project	Customer:	Denver Fire Department
Checked:	9-19-22		Installation:		Diagram No.:	
Date:	3/2/16 7:04 AM/9/19/22 9:36 AM		File:	Sta 4 drs 9-19-22.lsc	Page:	13 / 21

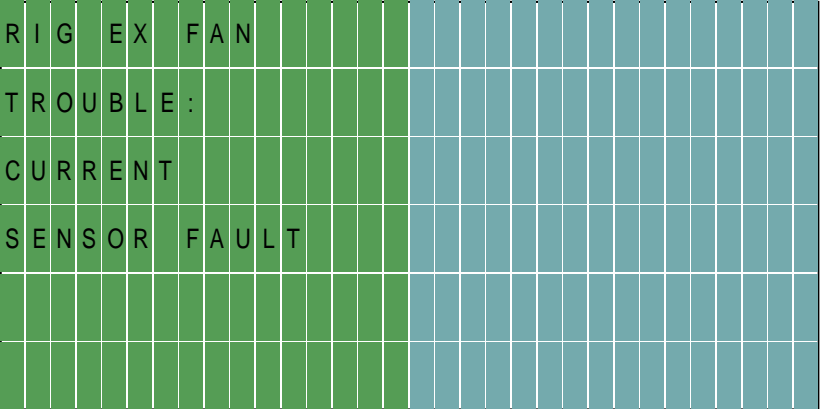
Block Number (Type)	Parameter
B031(Edge-triggered interval time-delay relay) : these devices send a pulse to stop the counting when door closes	Rem = off 00:10s+ 00:00s 1
B032(Edge-triggered interval time-delay relay) :	Rem = off 00:10s+ 00:00s 1
B033(Edge-triggered interval time-delay relay) : this device sends a quick pulse to reset timer	Rem = off 00:10s+ 00:00s 1
B035(On-delay) :	Rem = off 07:00s+
B037(Asynchronous pulse generator) :	Rem = off 03:00s+ 01:00s
B038 bckupnlt(Edge-triggered interval time-delay relay) :	Rem = off 00:00m+ 00:00s 1
B039(On-delay) :	Rem = off 15:00s+
B040(Edge-triggered interval time-delay relay) :	Rem = off 00:00s+ 00:00s 1
B041(Asynchronous pulse generator) :	Rem = off 03:00s+ 01:00s
B042(On-delay) :	Rem = off 00:50s+
B043(On-delay) :	Rem = off 07:00s+
B044 bckupclt(Edge-triggered interval time-delay relay) :	Rem = off 02:00m+ 00:00s 1
B045(On-delay) :	Rem = off 07:00s+
B046 bckupSlT(Edge-triggered interval time-delay relay) :	Rem = off 02:00m+ 00:00s 1
B047(On-delay) :	Rem = off 15:00s+
B048(Edge-triggered interval time-delay relay) :	Rem = off 14:98s+ 00:00s 1
B049(Asynchronous pulse generator) :	Rem = off 03:00s+ 01:00s
B051(On-delay) :	Rem = off 07:00s+
B052 ndr cnt(Up/Down counter) :	Rem = on On=0+ Off=0 Start=0
B054 cdr cnt(Up/Down counter) :	Rem = on On=0+ Off=0 Start=0

Creator:	John Ledbetter	Denver Fire Lineshop	Project:	Station 4 door project	Customer:	Denver Fire Department
Checked:	9-19-22		Installation:		Diagram No.:	
Date:	3/2/16 7:04 AM/9/19/22 9:36 AM		File:	Sta 4 drs 9-19-22.lsc	Page:	14 / 21

Block Number (Type)	Parameter
B055 sdr cnt(Up/Down counter) :	Rem = on On=0+ Off=0 Start=0
B056 Ndr msg(Message texts) :  Line3.10 B009 Nlts tmr-THRest Line4.10 B015 Nfn tmr-THRest	Prio = 0 Quit = off Text1: enabled Text2: disabled Ticker setting - CBC - Line1: N - Line2: N - Line3: N - Line4: N - Line5: N - Line6: N Message Destination - Both
B058(Asynchronous pulse generator) :	Rem = off 00:50s+ 00:50s
B059(Edge-triggered interval time-delay relay) :	Rem = off 04:00s+ 00:00s 1
B060(On-delay) :	Rem = off 04:01s+
B061(Edge-triggered interval time-delay relay) :	Rem = off 20:00s+ 00:00s 1
B062 npulse(Edge-triggered interval time-delay relay) :	Rem = off 00:50s+ 00:00s 1
B063 cpulse(Edge-triggered interval time-delay relay) :	Rem = off 00:50s+ 00:00s 1
B064 spulse(Edge-triggered interval time-delay relay) :	Rem = off 00:50s+ 00:00s 1

Block Number (Type)	Parameter					
<p>B065 Cdr msg(Message texts) :</p>  <p>Line3.8 B010 Clts tmr-THRest Line4.8 B020 Cfn tmr-THRest</p>	<p>Prio = 1 Quit = off Text1: enabled Text2: disabled</p> <p>Ticker setting - CBC - Line1: N - Line2: N - Line3: N - Line4: N - Line5: N - Line6: N</p> <p>Message Destination - Both</p>					
<p>B066 Sdr msg(Message texts) :</p>  <p>Line3.7 B011 Slts tmr-THRest Line4.7 B017 Sfn tmr-THRest</p>	<p>Prio = 2 Quit = off Text1: enabled Text2: disabled</p> <p>Ticker setting - CBC - Line1: N - Line2: N - Line3: N - Line4: N - Line5: N - Line6: N</p> <p>Message Destination - Both</p>					
<p>B067(Edge-triggered interval time-delay relay) :</p>	<p>Rem = off 02:00m+ 00:00s 1</p>					
<p>B068(Edge-triggered interval time-delay relay) :</p>	<p>Rem = off 02:00m+ 00:00s 1</p>					
<p>B069(Edge-triggered interval time-delay relay) :</p>	<p>Rem = off 02:00m+ 00:00s 1</p>					
<p>B070 exfancnt(Up/Down counter) : Rig fan "ON" count</p>	<p>Rem = on On=0+ Off=0 Start=0</p>					
<p>B071 exfanhrs(Operating hours counter) : Rig fan hours</p>	<p>MI= 0h 0m+ OT= 0h 0m Q->0=R+En</p>					
<p>B072 fansw on(Up/Down counter) :</p>	<p>Rem = on On=0+ Off=0 Start=0</p>					
<p>B073 fn tmrs(Up/Down counter) :</p>	<p>Rem = on On=0+ Off=0 Start=0</p>					
Creator:	John Ledbetter	Denver Fire Lineshop	Project:	Station 4 door project	Customer:	Denver Fire Department
Checked:	9-19-22		Installation:		Diagram No.:	
Date:	3/2/16 7:04 AM/9/19/22 9:36 AM		File:	Sta 4 drs 9-19-22.lsc	Page:	16 / 21

Block Number (Type)	Parameter
B074(Edge-triggered interval time-delay relay) :	Rem = off 10:00s+ 00:00s 1
B075(Edge-triggered interval time-delay relay) :	Rem = off 10:00s+ 00:00s 1
B076(Message texts) : 	Prio = 3 Quit = off Text1: enabled Text2: disabled Ticker setting - CBC - Line1: N - Line2: N - Line3: N - Line4: N - Line5: N - Line6: N Message Destination - Both
B077(Message texts) : 	Prio = 4 Quit = off Text1: enabled Text2: disabled Ticker setting - CBC - Line1: N - Line2: N - Line3: N - Line4: N - Line5: N - Line6: N Message Destination - Both
Line3.8 B016 sw tmr -TRest	
B078 nopencnt(Up/Down counter) :	Rem = on On=0+ Off=0 Start=0
B079 copencnt(Up/Down counter) :	Rem = on On=0+ Off=0 Start=0
B080 sopencnt(Up/Down counter) :	Rem = on On=0+ Off=0 Start=0
B082(On-delay) :	Rem = off 03:00s+
B083 fnoncnt(Up/Down counter) :	Rem = on On=0+ Off=0 Start=0

Block Number (Type)	Parameter																			
B084 fncrcnt(Up/Down counter) :	Rem = on On=0+ Off=0 Start=0																			
B085 aesoutcn(Up/Down counter) :	Rem = on On=0+ Off=0 Start=0																			
B086(Message texts) : 	Prio = 5 Quit = off Text1: enabled Text2: disabled Ticker setting - CBC - Line1: N - Line2: Z - Line3: Z - Line4: Z - Line5: Z - Line6: Z Message Destination - Both																			
B087(Retentive on-delay) :	Rem = off 01:00m+																			
I1(Input) : I1-NORTH DOOR																				
I2(Input) : I2-CENTER DOOR																				
I3(Input) : I3-SOUTH DOOR																				
I4(Input) : Ex fan selector sw "on"																				
I5(Input) : Ex fan selector sw timed																				
I6(Input) : I6-VOCALARM																				
I7(Input) : I7-Current sensor																				
I10(Input) : I10-NORTH door-receiver																				
I11(Input) : I11-CENTER door-receiver																				
I12(Input) : I12-SOUTH door-receiver																				
Q1(Output) : Q1-APPARATUS BAY LIGHTS																				
Q2(Output) : Q2-Rig ex fan																				
Q3(Output) : Q3-Back up LED lights																				
<table border="1"> <tr> <td data-bbox="76 2085 244 2112">Creator:</td> <td data-bbox="244 2085 579 2112">John Ledbetter</td> <td data-bbox="579 2085 764 2112" rowspan="3">Denver Fire Lineshop</td> <td data-bbox="764 2085 895 2112">Project:</td> <td data-bbox="895 2085 1142 2112">Station 4 door project</td> <td data-bbox="1142 2085 1273 2112">Customer:</td> <td data-bbox="1273 2085 1519 2112">Denver Fire Department</td> </tr> <tr> <td data-bbox="76 2112 244 2139">Checked:</td> <td data-bbox="244 2112 579 2139">9-19-22</td> <td data-bbox="764 2112 895 2139">Installation:</td> <td data-bbox="895 2112 1142 2139"></td> <td data-bbox="1142 2112 1273 2139">Diagram No.:</td> <td data-bbox="1273 2112 1519 2139"></td> </tr> <tr> <td data-bbox="76 2139 244 2166">Date:</td> <td data-bbox="244 2139 579 2166">3/2/16 7:04 AM/9/19/22 9:36 AM</td> <td data-bbox="764 2139 895 2166">File:</td> <td data-bbox="895 2139 1142 2166">Sta 4 drs 9-19-22.lsc</td> <td data-bbox="1142 2139 1273 2166">Page:</td> <td data-bbox="1273 2139 1519 2166">18 / 21</td> </tr> </table>		Creator:	John Ledbetter	Denver Fire Lineshop	Project:	Station 4 door project	Customer:	Denver Fire Department	Checked:	9-19-22	Installation:		Diagram No.:		Date:	3/2/16 7:04 AM/9/19/22 9:36 AM	File:	Sta 4 drs 9-19-22.lsc	Page:	18 / 21
Creator:	John Ledbetter	Denver Fire Lineshop	Project:		Station 4 door project	Customer:	Denver Fire Department													
Checked:	9-19-22		Installation:			Diagram No.:														
Date:	3/2/16 7:04 AM/9/19/22 9:36 AM		File:	Sta 4 drs 9-19-22.lsc	Page:	18 / 21														

Block Number (Type)	Parameter
Q4(Output) : timer input start counting, needs held to keep counting	
Q5(Output) : timer reset to zero	
Q6(Output) : Q6-To north opener white and orange	
Q7(Output) : Q7-To center opener white and orange	
Q8(Output) : Q8-To south opener white and orange	
Q9(Output) : Q9-Output to AES	
Q12(Output) : Q12- red light in dayroom, Main bathroom, and basement	

Creator:	John Ledbetter	Denver Fire Lineshop	Project:	Station 4 door project	Customer:	Denver Fire Department
Checked:	9-19-22		Installation:		Diagram No.:	
Date:	3/2/16 7:04 AM/9/19/22 9:36 AM		File:	Sta 4 drs 9-19-22.lsc	Page:	19 / 21

Connection	Label
I1	
I2	
I3	
I4	
I5	
I6	
I7	
I10	
I11	
I12	
M1	
M2	
M3	
M4	
M5	
M6	
M7	
M8	Initialization Flag
M9	
M10	
M11	
M12	
M13	
M14	
M15	
M16	
M17	
M18	
M19	

Connection	Label
Q1	
Q2	
Q3	
Q4	
Q5	
Q6	
Q7	
Q8	
Q9	
Q10	
Q12	

