

Comment

This program is buffered for limit switch contact bounce.
The firemen at this time 8-1-18 did not want the dorm lights coming on at night when they return from a run. Just app bay lts. Will need to run a signal over to other Smart relay if / when they do want it.
9-12-18 Added AES SIGNAL on prgrm
1-16-19 rework cosmetics on program with no major changes
1-24-19 dwnlded new program to smart, reset all cntrs to zero, cnts read== ex fan hrs 76hr 14min, ex fan cnt 5465, e dr cnt 2966, wdr cnt 765, sw tmr cnt 0, sw on cnt 16
3-24-22 counts read AES OUT 43, FAN CRNT 36945, FAN ON C 36950, exfanhrs 477h 52m, exfancnt 36950, e dr cnt 19667,w dr cnt 4977, sw tm cn 0, sw on cn 47,
3-25-22 all counts to zero
4-13-22 type FS-05 verified, connected to city network, online test good, all counts to zero,

Creator:	John Ledbetter	DFD Lineshop	Project:	Sta 7 doors	Customer:	Denver Fire Department
Checked:	4-13-22		Installation:		Diagram No.:	
Date:	10/29/15 7:16 AM/6/10/22 8:41 AM		File:	Sta 7 Doors 4-12-22.lsc	Page:	1 / 20

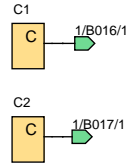
Module Address

IP Address 10.126.164.181
Subnet Mask: 255.255.255.240
Default gateway 10.126.164.177

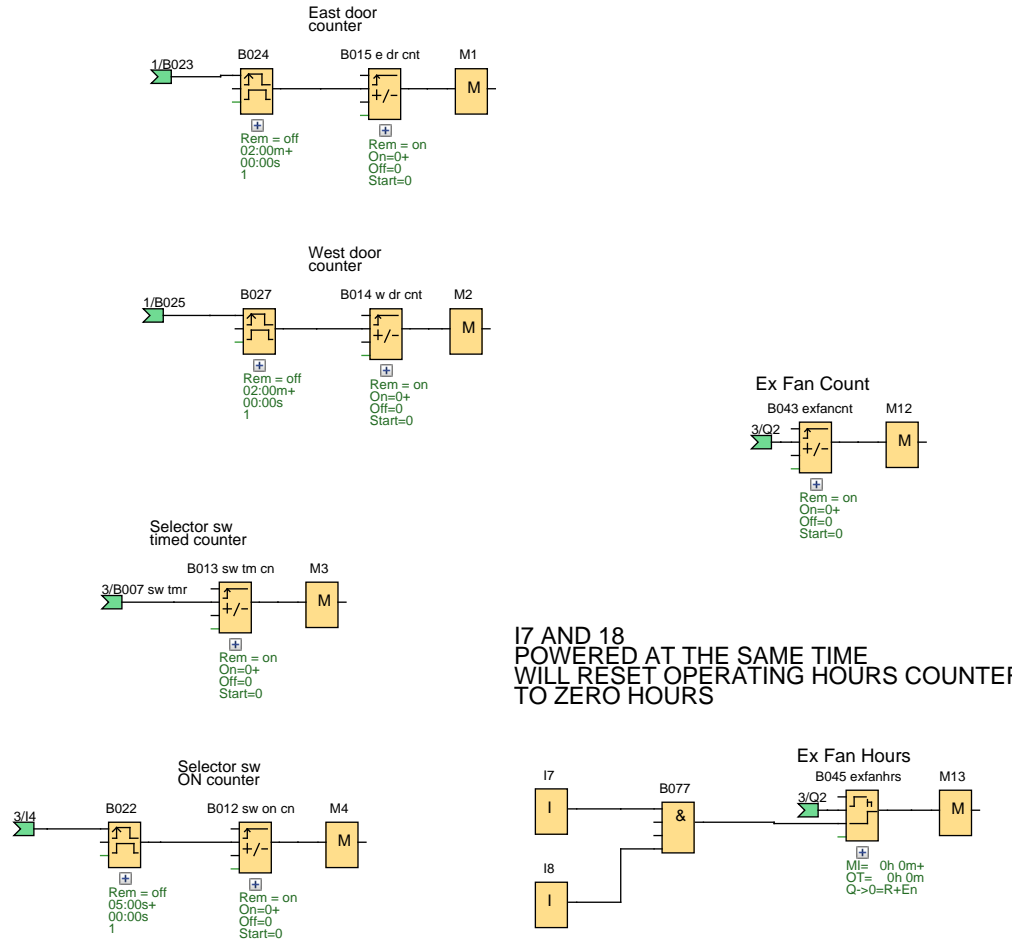
Creator:	John Ledbetter	DFD Lineshop	Project:	Sta 7 doors	Customer:	Denver Fire Department
Checked:	4-13-22		Installation:		Diagram No.:	
Date:	10/29/15 7:16 AM/10/22 8:41 AM		File:	Sta 7 Doors 4-12-22.lsc	Page:	2 / 20

Station 7

CURSOR BUTTON SECTION



COUNTING SECTION



17 AND 18
 POWERED AT THE SAME TIME
 WILL RESET OPERATING HOURS COUNTER
 TO ZERO HOURS

Creator:	John Ledbetter	DFD Lineshop	Project:	Sta 7 doors	Customer:	Denver Fire Department
Checked:	4-13-22		Installation:		Diagram No.:	
Date:	10/29/15 7:16 AM/6/10/22 8:41 AM		File:	Sta 7 Doors 4-12-22.lsc	Page:	4 / 20

Sta 7 Rig exhaust fan section

the fan goes off to help firemen install boot on pipe, then on again

I3-Rig fan selector sw timed



I4-Rig fan selector sw "ON"

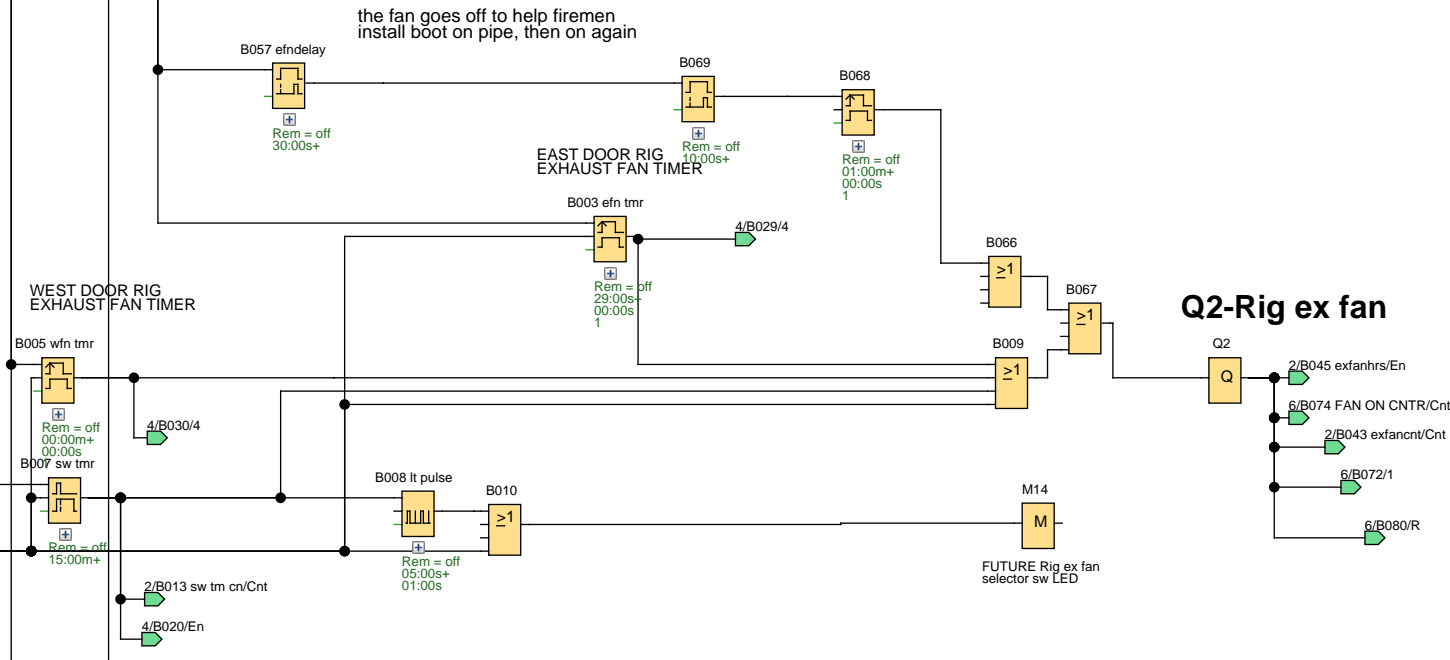


WEST DOOR RIG EXHAUST FAN TIMER

EAST DOOR RIG EXHAUST FAN TIMER

Q2-Rig ex fan

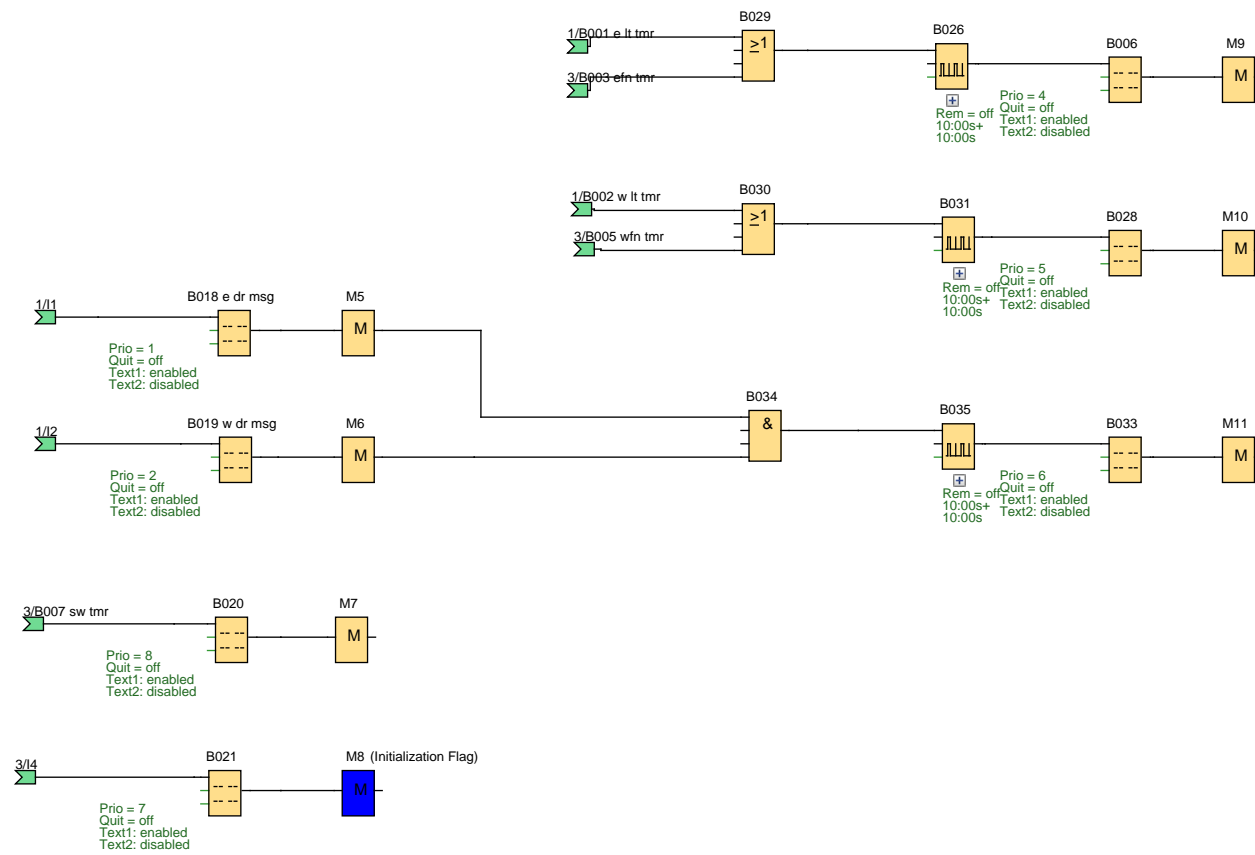
FUTURE Rig ex fan selector sw LED



Creator:	John Ledbetter	DFD Lineshop	Project:	Sta 7 doors	Customer:	Denver Fire Department
Checked:	4-13-22		Installation:		Diagram No.:	
Date:	10/29/15 7:16 AM/6/10/22 8:41 AM		File:	Sta 7 Doors 4-12-22.lsc	Page:	5 / 20

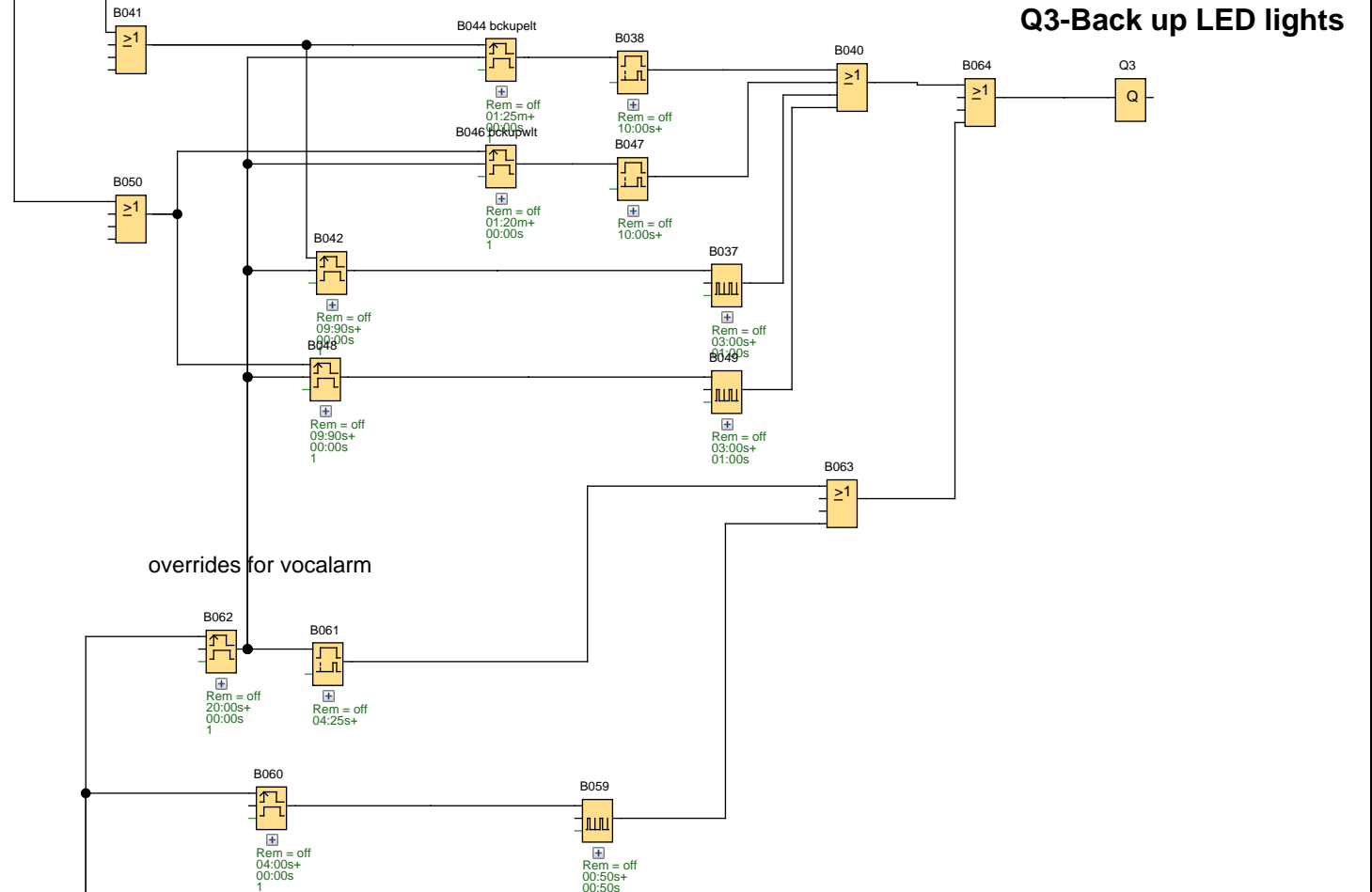
Station 7

MESSAGE SECTION



Creator:	John Ledbetter	DFD Lineshop	Project:	Sta 7 doors	Customer:	Denver Fire Department
Checked:	4-13-22		Installation:		Diagram No.:	
Date:	10/29/15 7:16 AM/6/10/22 8:41 AM		File:	Sta 7 Doors 4-12-22.lsc	Page:	6 / 20

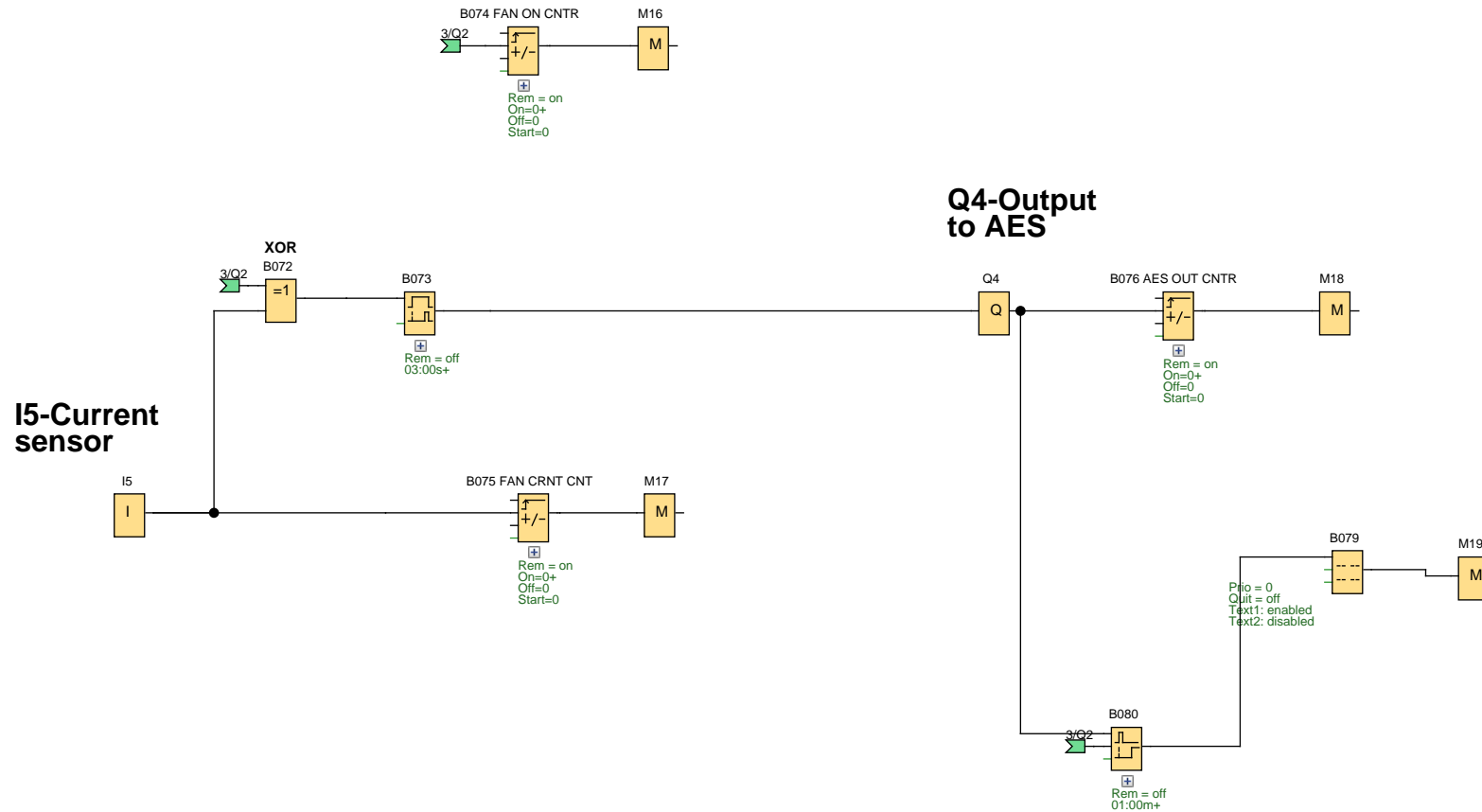
Sta 7 Back up LED light section



Creator:	John Ledbetter	Project:	Sta 7 doors	Customer:	Denver Fire Department
Checked:	4-13-22	Installation:		Diagram No.:	
Date:	10/29/15 7:16 AM/6/10/22 8:41 AM	File:	Sta 7 Doors 4-12-22.lsc	Page:	7 / 20

Station 7

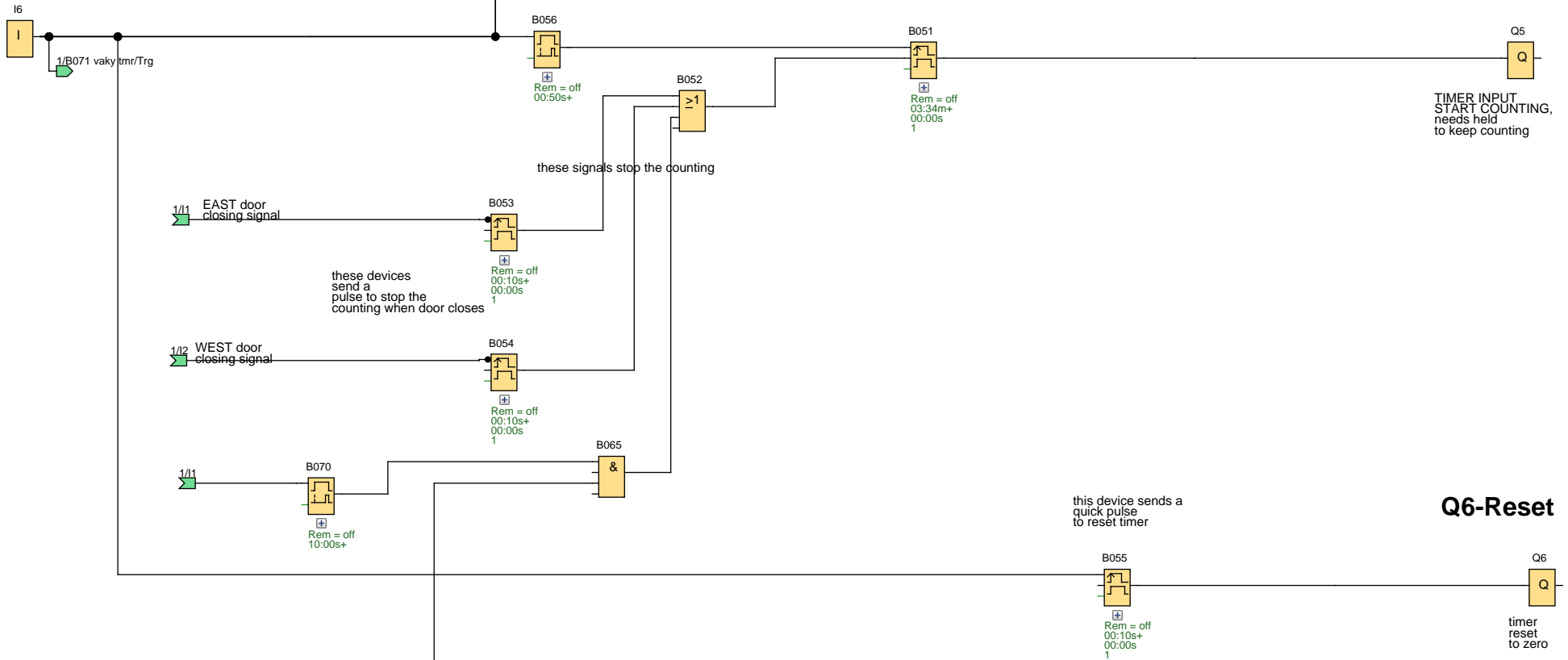
AES/RIG FAN SECTION ,
 this tells if "calling for" rig fan
 and rig fan current is
 being produced at the same time



Creator:	John Ledbetter	DFD Lineshop	Project:	Sta 7 doors	Customer:	Denver Fire Department
Checked:	4-13-22		Installation:		Diagram No.:	
Date:	10/29/15 7:16 AM/6/10/22 8:41 AM		File:	Sta 7 Doors 4-12-22.lsc	Page:	8 / 20

Sta 7 SHOT clock section

I6-VOCALARM SIGNAL



Creator:	John Ledbetter	DFD Lineshop	Project:	Sta 7 doors	Customer:	Denver Fire Department
Checked:	4-13-22		Installation:		Diagram No.:	
Date:	10/29/15 7:16 AM/6/10/22 8:41 AM		File:	Sta 7 Doors 4-12-22.lsc	Page:	9 / 20



Creator:	John Ledbetter	DFD Lineshop	Project:	Sta 7 doors	Customer:	Denver Fire Department
Checked:	4-13-22		Installation:		Diagram No.:	
Date:	10/29/15 7:16 AM/6/10/22 8:41 AM		File:	Sta 7 Doors 4-12-22.lsc	Page:	10 / 20

Sta 7 Door receiver pulse section

I11-Door remote transmitter



B058



Rem = off
01:30s+
00:00s
1

B036 rem trig



Rem = off
00:50s+
00:00s
1

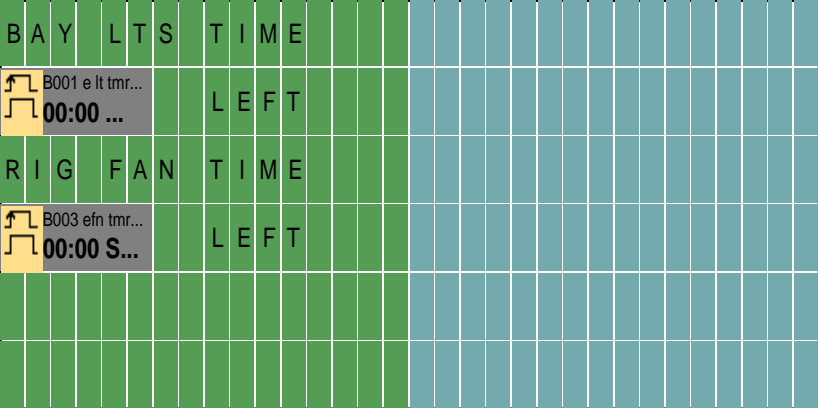
Q7- To door opener

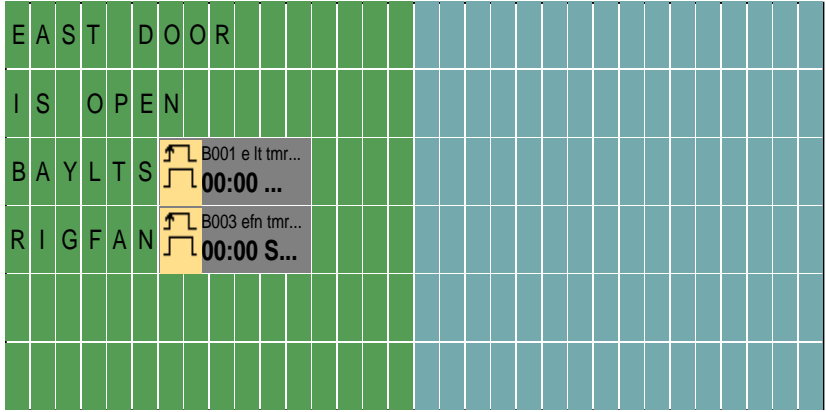


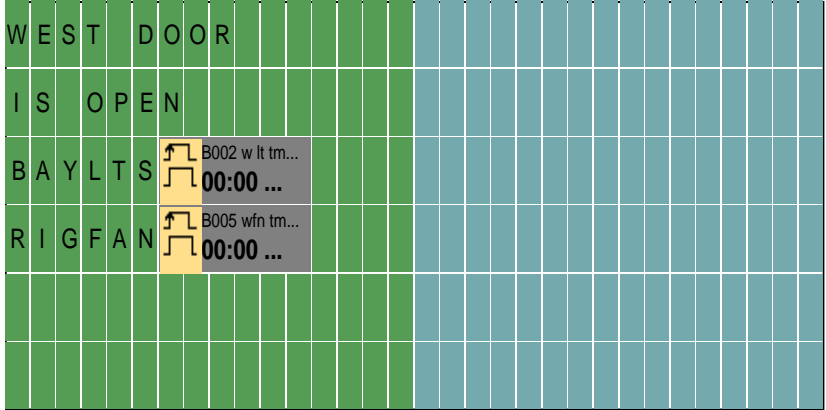
Creator:	John Ledbetter	DFD Lineshop	Project:	Sta 7 doors	Customer:	Denver Fire Department
Checked:	4-13-22		Installation:		Diagram No.:	
Date:	10/29/15 7:16 AM/10/22 8:41 AM		File:	Sta 7 Doors 4-12-22.lsc	Page:	11 / 20

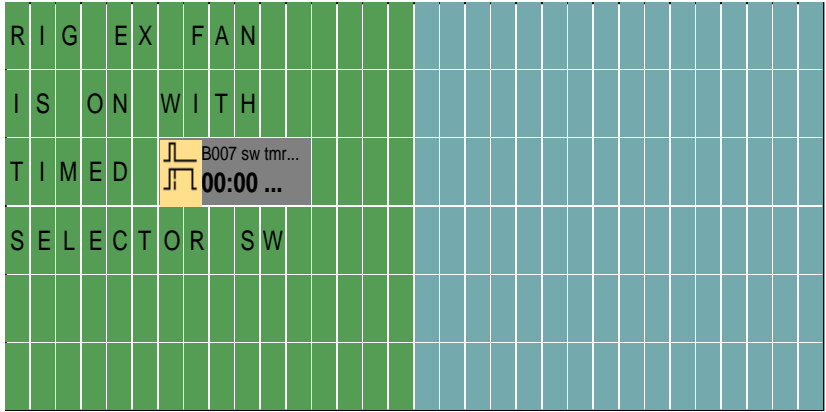


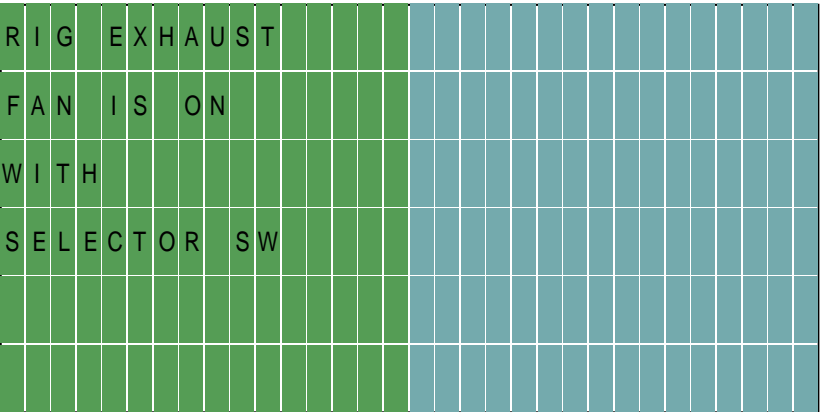
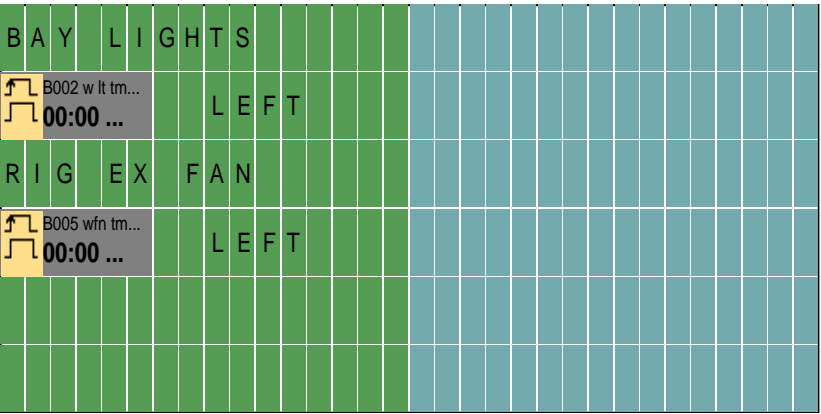
Creator:	John Ledbetter	DFD Lineshop	Project:	Sta 7 doors	Customer:	Denver Fire Department
Checked:	4-13-22		Installation:		Diagram No.:	
Date:	10/29/15 7:16 AM/6/10/22 8:41 AM		File:	Sta 7 Doors 4-12-22.lsc	Page:	12 / 20

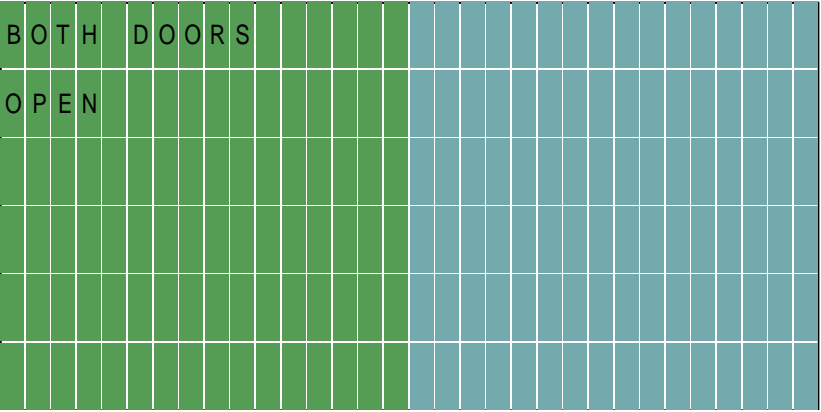
Block Number (Type)	Parameter					
B001 e lt tmr(Edge-triggered interval time-delay relay) : EAST DOOR LIGHT TIMER	Rem = off 03:00m+ 00:00s 1					
B002 w lt tmr(Edge-triggered interval time-delay relay) : WEST DOOR LIGHT TIMER	Rem = off 03:00m+ 00:00s 1					
B003 efn tmr(Edge-triggered interval time-delay relay) : EAST DOOR RIG EXHAUST FAN TIMER	Rem = off 29:00s+ 00:00s 1					
B005 wfn tmr(Edge-triggered interval time-delay relay) : WEST DOOR RIG EXHAUST FAN TIMER	Rem = off 00:00m+ 00:00s 1					
B006(Message texts) :  Line2.1 B001 e lt tmr-THRest Line4.1 B003 efn tmr-THRest	Prio = 4 Quit = off Text1: enabled Text2: disabled Ticker setting - CBC - Line1: N - Line2: N - Line3: N - Line4: N - Line5: N - Line6: N Message Destination - Both					
B007 sw tmr (Off-delay) :	Rem = off 15:00m+					
B008 lt pulse(Asynchronous pulse generator) :	Rem = off 05:00s+ 01:00s					
B012 sw on cn(Up/Down counter) : Selector sw ON counter	Rem = on On=0+ Off=0 Start=0					
B013 sw tm cn(Up/Down counter) : Selector sw timed counter	Rem = on On=0+ Off=0 Start=0					
B014 w dr cnt(Up/Down counter) : West door counter	Rem = on On=0+ Off=0 Start=0					
B015 e dr cnt(Up/Down counter) : East door counter	Rem = on On=0+ Off=0 Start=0					
Empty section						
Creator:	John Ledbetter	DFD Lineshop	Project:	Sta 7 doors	Customer:	Denver Fire Department
Checked:	4-13-22	DFD Lineshop	Installation:	Sta 7 Doors 4-12-22.lsc	Diagram No.:	13 / 20
Date:	10/29/15 7:16 AM/6/10/22 8:41 AM	DFD Lineshop	File:	Sta 7 Doors 4-12-22.lsc	Page:	13 / 20

Block Number (Type)	Parameter
<p>B018 e dr msg(Message texts) :</p>  <p>Line3.7 B001 e lt tmr-THRest Line4.7 B003 efn tmr-THRest</p>	<p>Prio = 1 Quit = off Text1: enabled Text2: disabled</p> <p>Ticker setting - CBC - Line1: N - Line2: N - Line3: N - Line4: N - Line5: N - Line6: N</p> <p>Message Destination - Both</p>

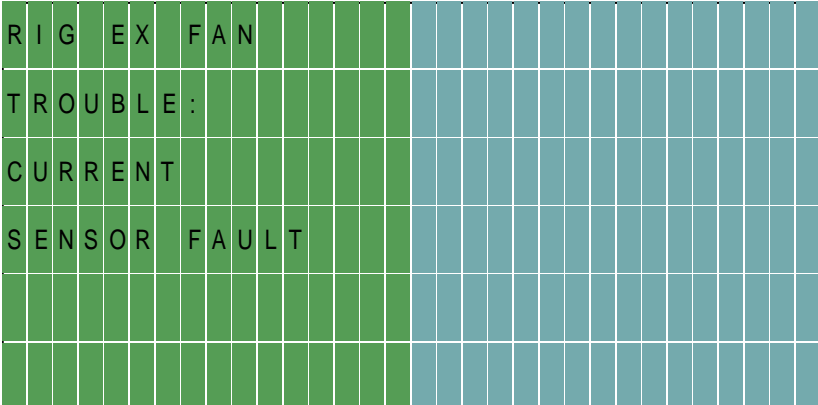
<p>B019 w dr msg(Message texts) :</p>  <p>Line3.7 B002 w lt tmr-THRest Line4.7 B005 wfn tmr-THRest</p>	<p>Prio = 2 Quit = off Text1: enabled Text2: disabled</p> <p>Ticker setting - CBC - Line1: N - Line2: N - Line3: N - Line4: N - Line5: N - Line6: N</p> <p>Message Destination - Both</p>
--	---

<p>B020(Message texts) :</p>  <p>Line3.7 B007 sw tmr -TRest</p>	<p>Prio = 8 Quit = off Text1: enabled Text2: disabled</p> <p>Ticker setting - CBC - Line1: N - Line2: N - Line3: N - Line4: N - Line5: N - Line6: N</p> <p>Message Destination - Both</p>
--	---

Block Number (Type)	Parameter
<p>B021(Message texts) :</p> 	<p>Prio = 7 Quit = off Text1: enabled Text2: disabled Ticker setting - CBC - Line1: N - Line2: N - Line3: N - Line4: N - Line5: N - Line6: N Message Destination - Both</p>
<p>B022(Edge-triggered interval time-delay relay) :</p>	<p>Rem = off 05:00s+ 00:00s 1</p>
<p>B023(On-delay) : contact bounce buffer</p>	<p>Rem = off 01:00s+</p>
<p>B024(Edge-triggered interval time-delay relay) :</p>	<p>Rem = off 02:00m+ 00:00s 1</p>
<p>B025(On-delay) : contact bounce buffer</p>	<p>Rem = off 01:00s+</p>
<p>B026(Asynchronous pulse generator) :</p>	<p>Rem = off 10:00s+ 10:00s</p>
<p>B027(Edge-triggered interval time-delay relay) :</p>	<p>Rem = off 02:00m+ 00:00s 1</p>
<p>B028(Message texts) :</p>  <p>Line2.1 B002 w lt tmr-THRest Line4.1 B005 wfn tmr-THRest</p>	<p>Prio = 5 Quit = off Text1: enabled Text2: disabled Ticker setting - CBC - Line1: N - Line2: N - Line3: N - Line4: N - Line5: N - Line6: N Message Destination - Both</p>
<p>B031(Asynchronous pulse generator) :</p>	<p>Rem = off 10:00s+ 10:00s</p>

Block Number (Type)	Parameter
B033(Message texts) : 	Prio = 6 Quit = off Text1: enabled Text2: disabled Ticker setting - CBC - Line1: N - Line2: N - Line3: N - Line4: N - Line5: N - Line6: N Message Destination - Both
B035(Asynchronous pulse generator) :	Rem = off 10:00s+ 10:00s
B036 rem trig(Edge-triggered interval time-delay relay) :	Rem = off 00:50s+ 00:00s 1
B037(Asynchronous pulse generator) :	Rem = off 03:00s+ 01:00s
B038(On-delay) :	Rem = off 10:00s+
B042(Edge-triggered interval time-delay relay) :	Rem = off 09:90s+ 00:00s 1
B043 exfancnt(Up/Down counter) : Ex Fan Count	Rem = on On=0+ Off=0 Start=0
B044 bckupelt(Edge-triggered interval time-delay relay) :	Rem = off 01:25m+ 00:00s 1
B045 exfanhrs(Operating hours counter) : Ex Fan Hours	MI= 0h 0m+ OT= 0h 0m Q->0=R+En
B046 bckupwlt(Edge-triggered interval time-delay relay) :	Rem = off 01:20m+ 00:00s 1
B047(On-delay) :	Rem = off 10:00s+
B048(Edge-triggered interval time-delay relay) :	Rem = off 09:90s+ 00:00s 1
B049(Asynchronous pulse generator) :	Rem = off 03:00s+ 01:00s
B051(Edge-triggered interval time-delay relay) : this device starts timer counting from zero with vocalarm	Rem = off 03:34m+ 00:00s 1

Block Number (Type)	Parameter					
B053(Edge-triggered interval time-delay relay) : these devices send a pulse to stop the counting when door closes	Rem = off 00:10s+ 00:00s 1					
B054(Edge-triggered interval time-delay relay) :	Rem = off 00:10s+ 00:00s 1					
B055(Edge-triggered interval time-delay relay) : this device sends a quick pulse to reset timer	Rem = off 00:10s+ 00:00s 1					
B056(On-delay) :	Rem = off 00:50s+					
B057 efnDELAY(On-delay) :	Rem = off 30:00s+					
B058(Edge-triggered interval time-delay relay) :	Rem = off 01:30s+ 00:00s 1					
B059(Asynchronous pulse generator) :	Rem = off 00:50s+ 00:50s					
B060(Edge-triggered interval time-delay relay) :	Rem = off 04:00s+ 00:00s 1					
B061(On-delay) :	Rem = off 04:25s+					
B062(Edge-triggered interval time-delay relay) :	Rem = off 20:00s+ 00:00s 1					
B068(Edge-triggered interval time-delay relay) :	Rem = off 01:00m+ 00:00s 1					
B069(On-delay) :	Rem = off 10:00s+					
B070(On-delay) :	Rem = off 10:00s+					
B071 vaky_tmr(Off-delay) : Vocalarm timer for app bay lts	Rem = off 02:00m+					
B073(On-delay) :	Rem = off 03:00s+					
B074 FAN ON CNTR(Up/Down counter) :	Rem = on On=0+ Off=0 Start=0					
B075 FAN CRNT CNT(Up/Down counter) :	Rem = on On=0+ Off=0 Start=0					
B076 AES OUT CNTR(Up/Down counter) :	Rem = on On=0+ Off=0 Start=0					
B078(Astronomical clock) :	Lot: W105°0'48"+ Lat: N39°46'10" TZ: -7 Sunrise offset: 20 Sunset offset: -20					
Creator:	John Ledbetter	DFD Lineshop	Project:	Sta 7 doors	Customer:	Denver Fire Department
Checked:	4-13-22		Installation:		Diagram No.:	
Date:	10/29/15 7:16 AM/6/10/22 8:41 AM		File:	Sta 7 Doors 4-12-22.lsc	Page:	17 / 20

Block Number (Type)	Parameter
<p>B079(Message texts) :</p> 	<p>Prio = 0 Quit = off Text1: enabled Text2: disabled Ticker setting - CBC - Line1: N - Line2: N - Line3: N - Line4: N - Line5: N - Line6: N Message Destination - Both</p>

B080(Retentive on-delay) :	Rem = off 01:00m+
----------------------------	----------------------

I1(Input) : I1-East door limit switch (N/C)	
--	--

I2(Input) : I2-West door limit switch (N/C)	
--	--

I3(Input) : I3-Rig fan selector sw timed	
---	--

I4(Input) : I4-Rig fan selector sw "ON"	
--	--

I5(Input) : I5-Current sensor	
----------------------------------	--

I6(Input) : I6-VOCALARM SIGNAL	
-----------------------------------	--

I11(Input) : I11-Door remote transmitter	
---	--

Q1(Output) : Q1-App bay lts	
--------------------------------	--

Q2(Output) : Q2-Rig ex fan	
-------------------------------	--

Q3(Output) : Q3-Back up LED lights	
---------------------------------------	--

Q4(Output) : Q4-Output to AES	
----------------------------------	--

Q5(Output) : TIMER INPUT START COUNTING, needs held to keep counting	
---	--

Q6(Output) : timer reset to zero	
-------------------------------------	--

Q7(Output) : Q7- To door opener	
------------------------------------	--

Creator:	John Ledbetter	DFD Lineshop	Project:	Sta 7 doors	Customer:	Denver Fire Department
Checked:	4-13-22		Installation:		Diagram No.:	
Date:	10/29/15 7:16 AM/6/10/22 8:41 AM		File:	Sta 7 Doors 4-12-22.lsc	Page:	18 / 20

Connection	Label
C1	
C2	
I1	
I2	
I3	
I4	
I5	
I6	
I7	
I8	
I11	
M1	
M2	
M3	
M4	
M5	
M6	
M7	
M8	Initialization Flag
M9	
M10	
M11	
M12	
M13	
M14	
M16	
M17	
M18	
M19	

Connection	Label
Q1	
Q2	
Q3	
Q4	
Q5	
Q6	
Q7	

--	--	--	--	--	--

Creator:	John Ledbetter	DFD Lineshop	Project:	Sta 7 doors	Customer:	Denver Fire Department
Checked:	4-13-22		Installation:		Diagram No.:	
Date:	10/29/15 7:16 AM/6/10/22 8:41 AM		File:	Sta 7 Doors 4-12-22.lsc	Page:	20 / 20