

Comment

copied / built from 26s va, ms
Did not use soft start because multiple transformers in this house
dwnlded prgrm with new start counts, 3-8-19
redwnlded 3-15-19 all cnts set to zero, read counts, Mstrtcntr 3, Bluetrf pushbutton 43, traffic remote 17, jingler pshbtn 59, reset to zero
redwnld 3-18-19 again and counters read mstrt 1, blu trfc pshbtn 18, tr rem cnt 3, jing pshbtn 63, reset to zero
redwnlded 3-22-19 again, counters read, mstrt , blu trfc pshbtn , tr rem cnt , jing pshbtn , all reset to zero
9-16-20 redwnld entire prgrm, with edge triggered timer in front of drop lights, more counters around drop lts- counters read mstrtcnt 208, mstop 24, trpb cnt 2363, tr rem cnt 662, jing pb cnt 9460, all cntrs reset to zero
9-22-20 redwnld, all cnts to zero, fault
9-25-20 redwnld all counts to zero
10-1-20 counters read vocalalrm hrs 1:12, vaenbcnt 73, dr tmr hrs 0:01, drlthrcnt 1:12, drpltoncnt 72, mstrtcntr 2, machstop 0, jing 109, blu trfc btn 24, trevcntr 0, redwnld all to zero
12-16-20 redwnld, lost counts, all counts to zero
7-29-21 redwnload lost all counts
9-10-21 cannot get lnshp remote contact, says programs are not identical, they were really different on upload examinations ??? mixup ???
9-13-21 old counts read mstrt 259, mstopcnt 29, jingpbcnt 11983, trpshbtncnt 3089, trremcntr 1105, all counts to zero and redwnlded from lineshop remote, saved the weird prgrm that was not identical??? established full contact
3-1-22 counts read msrtcntr 289, mstopcnt 29, tr pshbtn 3496, tr rem cn 1146, jingpbtn 12410, redwnlded and all counts to zero, city IP address installed
3-16-22 physically removed the bright hallway lights off the relay because they do not like the brightness at night when waking, too stressful. The hallway lights are on a seperate relay circuit in the electrical room.
The hallway red lights are on 24/7 right now. The red hall lts are on EM circuit.

Creator:	John Ledbetter	DFD Lineshop	Project:		Customer:	Denver Fire Department
Checked:	3-1-22		Installation:	FS04 TYPE	Diagram No.:	
Date:	10/3/18 1:45 PM/6/10/22 8:44 AM		File:	Sta 9 VA MS 3-1-22.lsc	Page:	1 / 19

Module Address

IP Address 10.126.164.197
Subnet Mask: 255.255.255.240
Default gateway 10.126.164.193

Creator:	John Ledbetter	DFD Lineshop	Project:		Customer:	Denver Fire Department
Checked:	3-1-22		Installation:	FS04 TYPE	Diagram No.:	
Date:	10/3/18 1:45 PM/6/10/22 8:44 AM		File:	Sta 9 VA MS 3-1-22.lsc	Page:	2 / 19

Station 9 VA MS, Wind LGC version 8.0
 hardware type FS04verified 3-1-22

City IP address
 10.126.164.197
 255.255.255.240
 10.126.164.193

Drop light section

This should always be zero time,
 but if dispatch keys in/out fast may record time.

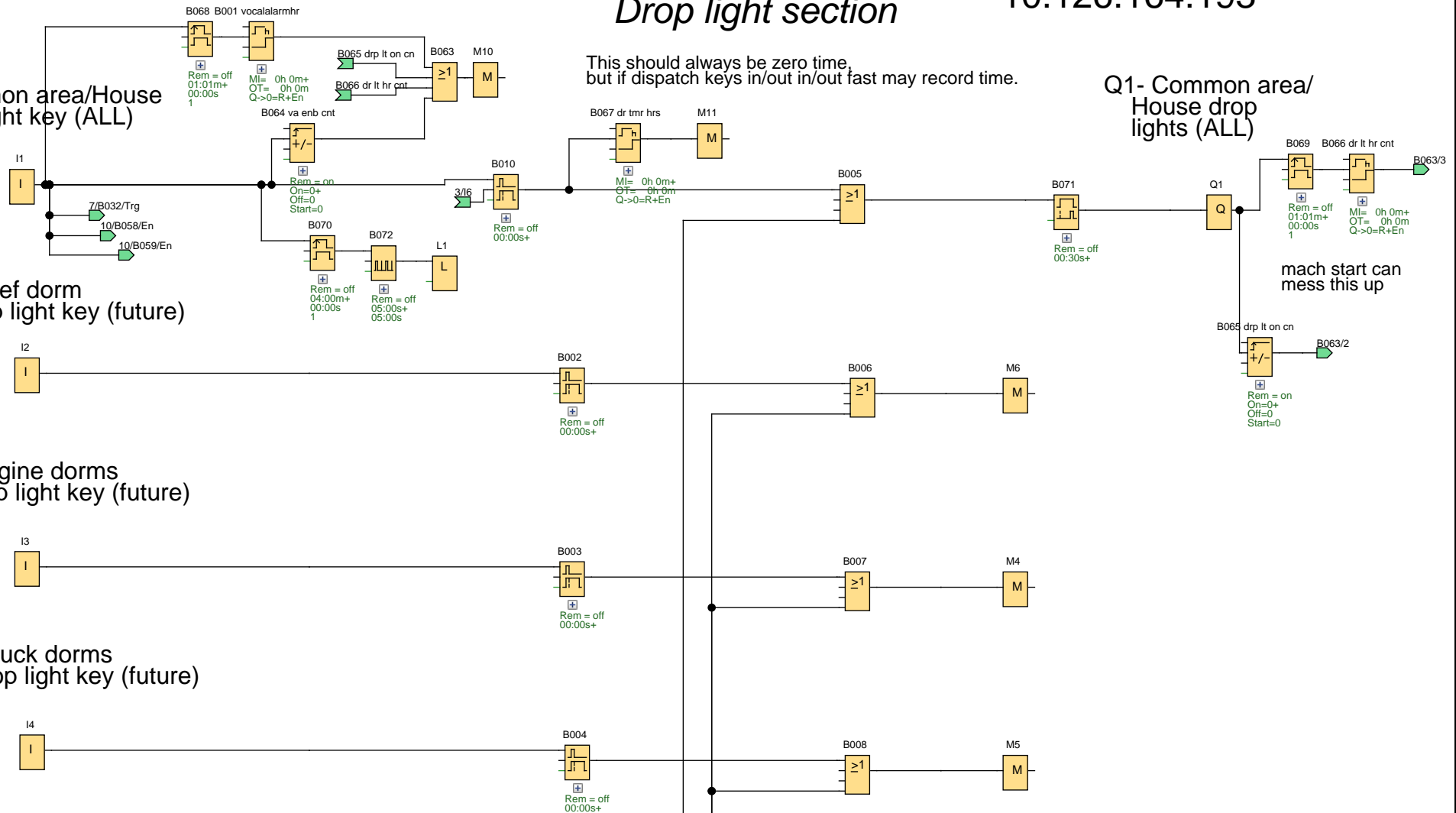
I1- Common area/House
 drop light key (ALL)

Q1- Common area/
 House drop
 lights (ALL)

I2- Chief dorm
 drop light key (future)

I3- Engine dorms
 drop light key (future)

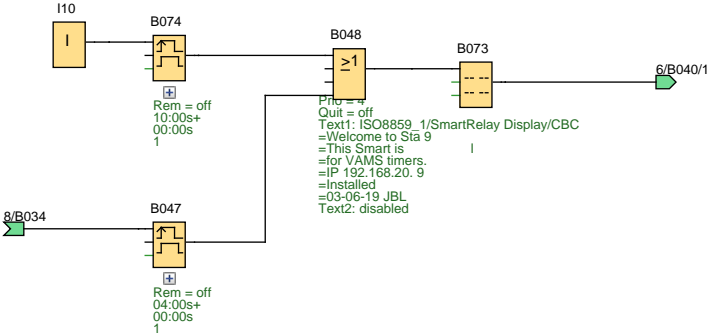
I4- Truck dorms
 drop light key (future)



Creator:	John Ledbetter	DFD Lineshop	Project:		Customer:	Denver Fire Department
Checked:	3-1-22		Installation:	FS04 TYPE	Diagram No.:	
Date:	10/3/18 1:45 PM/6/10/22 8:44 AM		File:	Sta 9 VA MS 3-1-22.lsc	Page:	3 / 19

Sta 9 VA MS

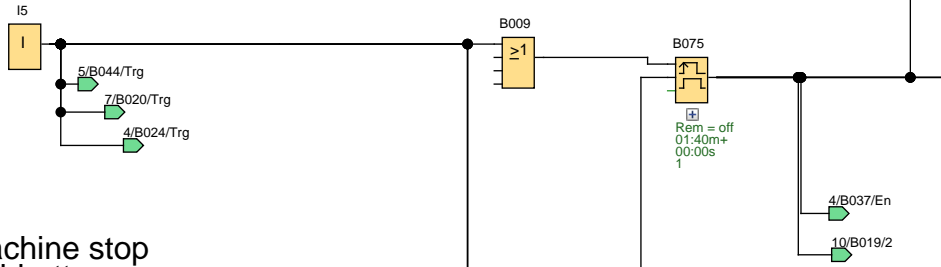
OPENING POWER UP STATEMENT



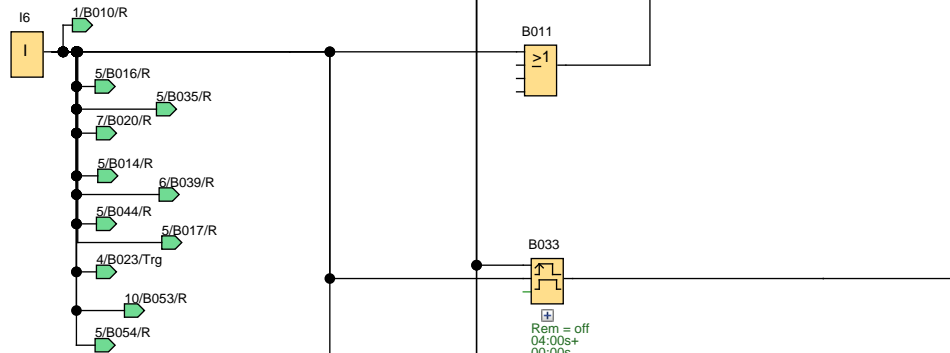
Creator:	John Ledbetter	DFD Lineshop	Project:		Customer:	Denver Fire Department
Checked:	3-1-22		Installation:	FS04 TYPE	Diagram No.:	
Date:	10/3/18 1:45 PM/6/10/22 8:44 AM		File:	Sta 9 VA MS 3-1-22.lsc	Page:	4 / 19

Sta 9 VA MS

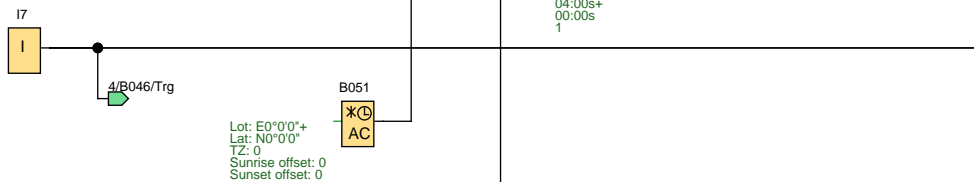
15- Red Machine start pushbuttons



16- Machine stop pushbutton



17- Jinger pushbuttons



Q5- Interior Jingers



Future exterior jingers

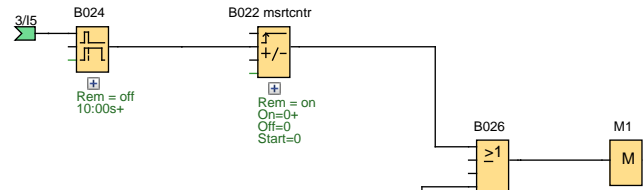


Creator:	John Ledbetter	DFD Lineshop	Project:		Customer:	Denver Fire Department
Checked:	3-1-22		Installation:	FS04 TYPE	Diagram No.:	
Date:	10/3/18 1:45 PM/6/10/22 8:44 AM		File:	Sta 9 VA MS 3-1-22.lsc	Page:	5 / 19

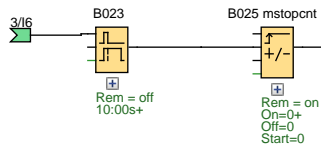
Sta 9 VA MS

Counting section

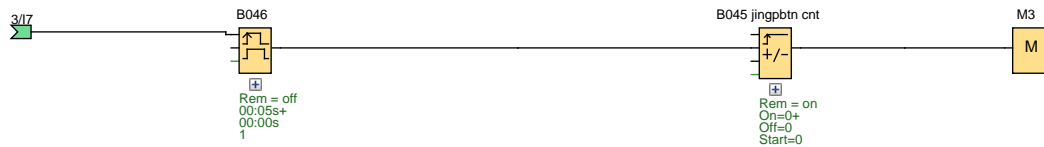
Machine Start
pushbutton
counter



Machine Stop
pushbutton
counter



Jingler
pushbutton
counter



Message section

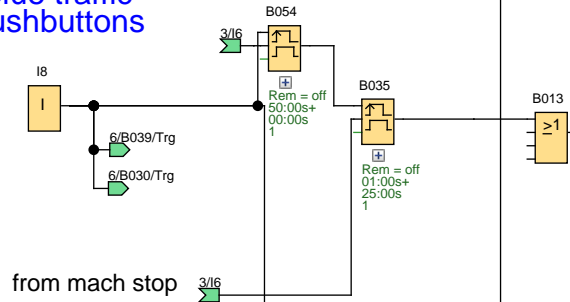


Creator:	John Ledbetter	DFD Lineshop	Project:		Customer:	Denver Fire Department
Checked:	3-1-22		Installation:	FS04 TYPE	Diagram No.:	
Date:	10/3/18 1:45 PM/6/10/22 8:44 AM		File:	Sta 9 VA MS 3-1-22.lsc	Page:	6 / 19

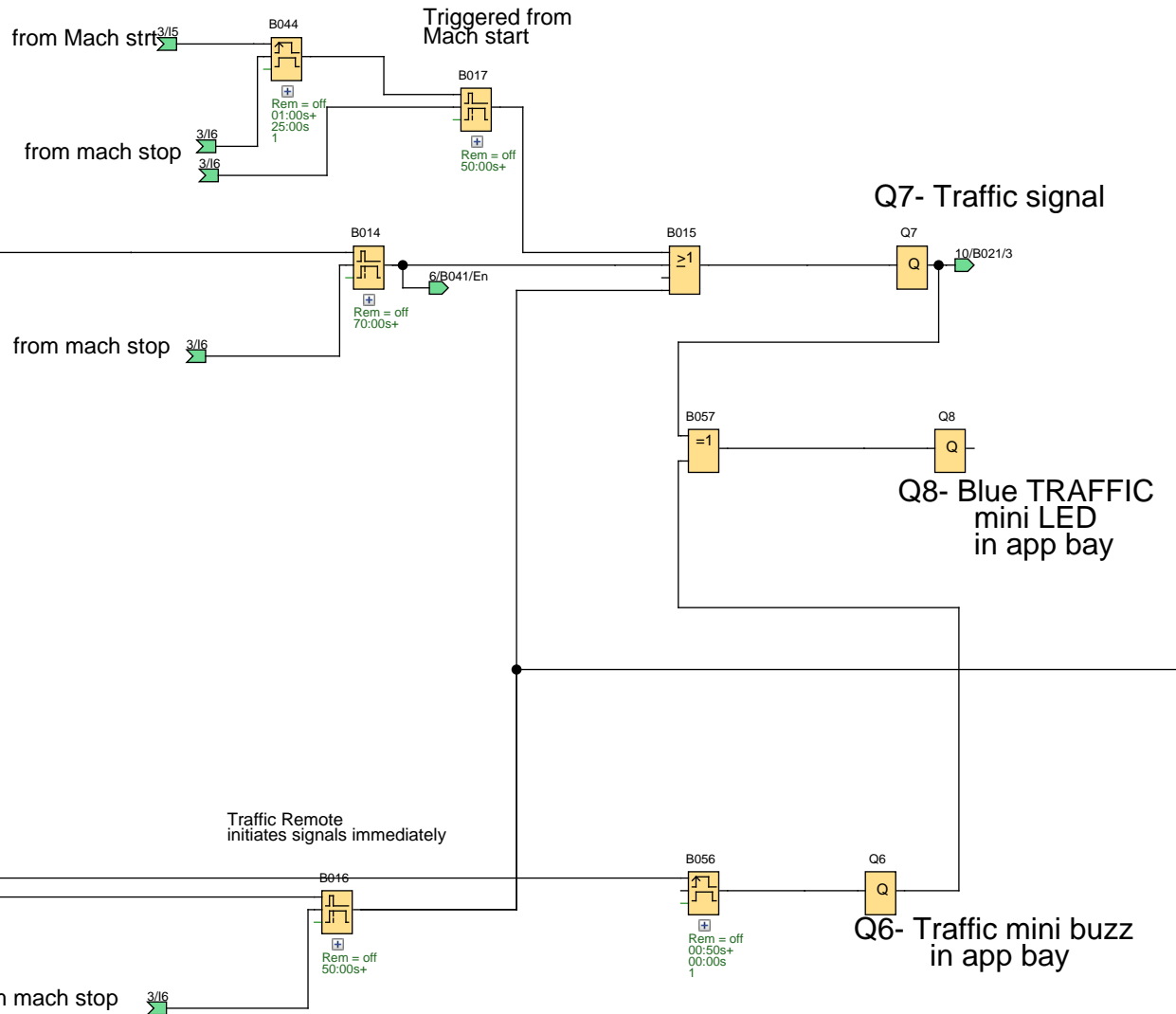
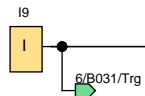
Sta 9 Traffic section

I8- Blue traffic pushbuttons

Blue pushbuttons have a delayed initiation to allow firemen to suit up and open garage door



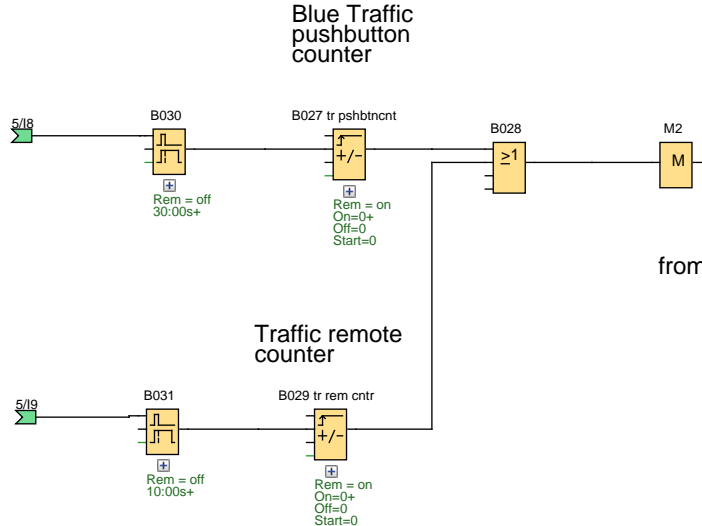
I9- Traffic Remotes



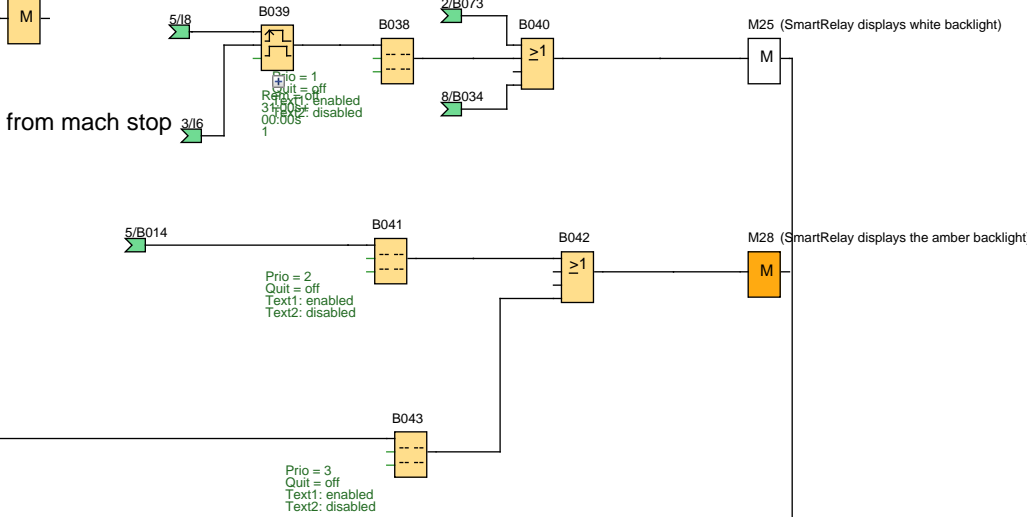
Creator:	John Ledbetter	DFD Lineshop	Project:		Customer:	Denver Fire Department
Checked:	3-1-22		Installation:	FS04 TYPE	Diagram No.:	
Date:	10/3/18 1:45 PM/6/10/22 8:44 AM		File:	Sta 9 VA MS 3-1-22.lsc	Page:	7 / 19

Sta 9 VA MS

Counting section

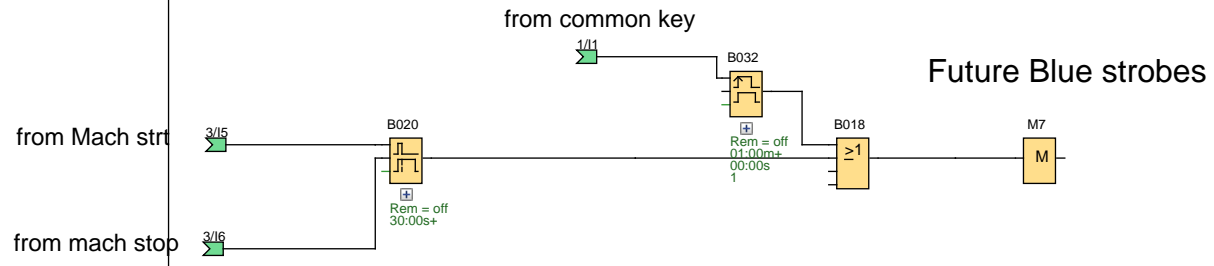


Message section



Creator:	John Ledbetter	DFD Lineshop	Project:		Customer:	Denver Fire Department
Checked:	3-1-22		Installation:	FS04 TYPE	Diagram No.:	
Date:	10/3/18 1:45 PM/6/10/22 8:44 AM		File:	Sta 9 VA MS 3-1-22.lsc	Page:	8 / 19

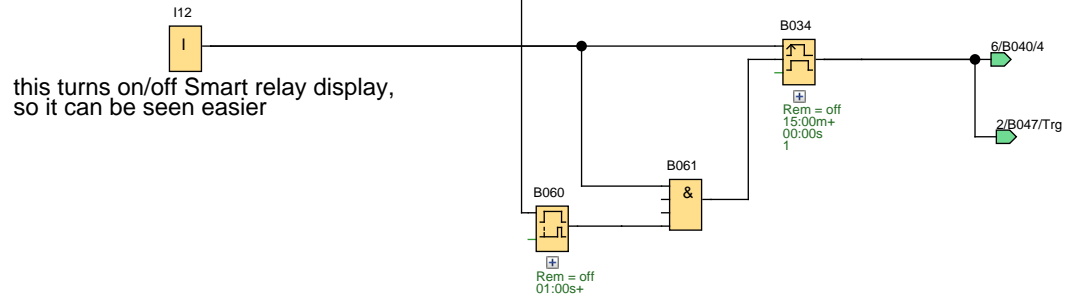
Sta 9 VA MS



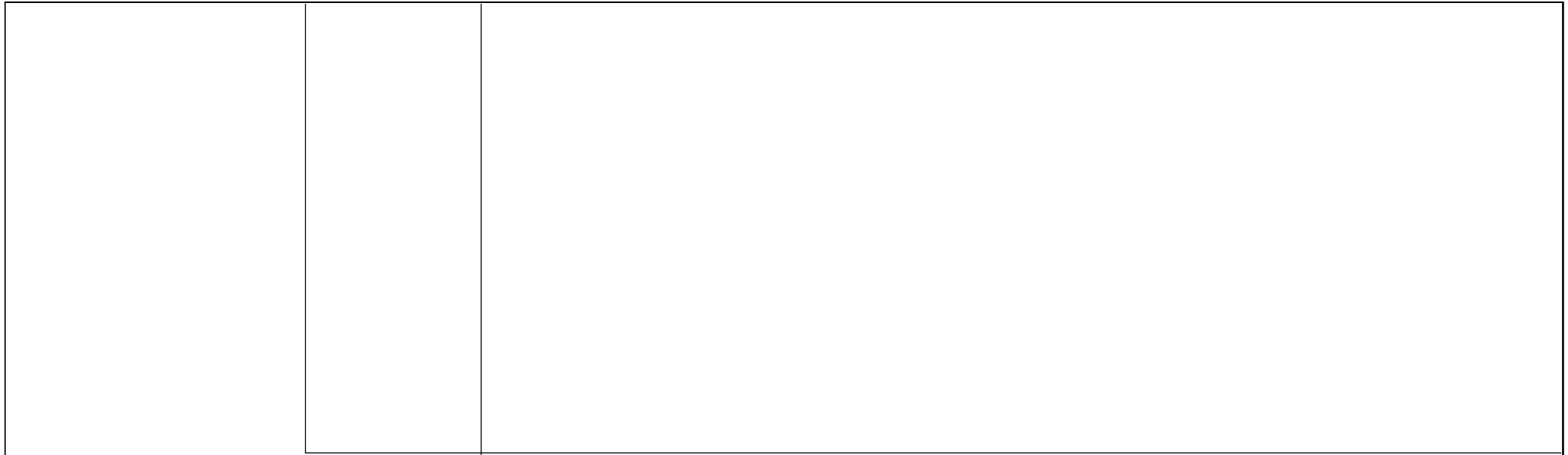
Creator:	John Ledbetter	DFD Lineshop	Project:		Customer:	Denver Fire Department
Checked:	3-1-22		Installation:	FS04 TYPE	Diagram No.:	
Date:	10/3/18 1:45 PM/6/10/22 8:44 AM		File:	Sta 9 VA MS 3-1-22.lsc	Page:	9 / 19

Sta 9 VA MS

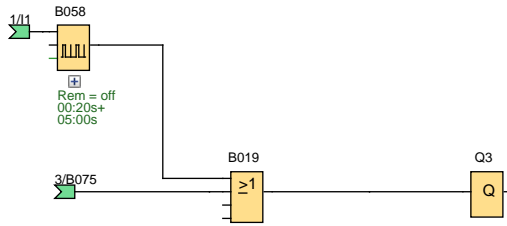
Pushbutton inside control cabinet



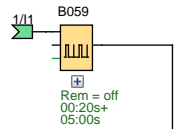
Creator:	John Ledbetter	DFD Lineshop	Project:		Customer:	Denver Fire Department
Checked:	3-1-22		Installation:	FS04 TYPE	Diagram No.:	
Date:	10/3/18 1:45 PM/6/10/22 8:44 AM		File:	Sta 9 VA MS 3-1-22.lsc	Page:	10 / 19



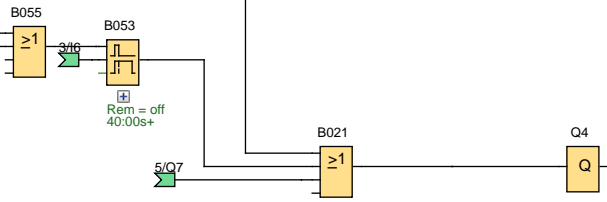
Creator:	John Ledbetter	DFD Lineshop	Project:		Customer:	Denver Fire Department
Checked:	3-1-22		Installation:	FS04 TYPE	Diagram No.:	
Date:	10/3/18 1:45 PM/6/10/22 8:44 AM		File:	Sta 9 VA MS 3-1-22.lsc	Page:	11 / 19



Q3- RED Mach Start pushbutton LEDs



NOTE: Both these pushbutton LED lights,
 1. Pulse when vocalarm is initiated.
 2. Come on when button pushed and stays on until the timer times out.
 3. Some older buttons in station 9 just stay on 24/7.



Q4- BLUE TRAFFIC pushbutton LEDs

Creator:	John Ledbetter	DFD Lineshop	Project:		Customer:	Denver Fire Department
Checked:	3-1-22		Installation:	FS04 TYPE	Diagram No.:	
Date:	10/3/18 1:45 PM/6/10/22 8:44 AM		File:	Sta 9 VA MS 3-1-22.lsc	Page:	12 / 19

Block Number (Type)	Parameter
B001 vocalalarmhr(Operating hours counter) :	Ml= 0h 0m+ Qt= 0h 0m Q->0=R+En
B002(Off-delay) :	Rem = off 00:00s+
B003(Off-delay) :	Rem = off 00:00s+
B004(Off-delay) :	Rem = off 00:00s+
B010(Off-delay) :	Rem = off 00:00s+
B014(Off-delay) :	Rem = off 70:00s+
B016(Off-delay) :	Rem = off 50:00s+
B017(Off-delay) : Triggered from Mach start	Rem = off 50:00s+
B020(Off-delay) :	Rem = off 30:00s+
B022_msrctntr(Up/Down counter) : Machine Start pushbutton counter	Rem = on On=0+ Off=0 Start=0
B023(Off-delay) :	Rem = off 10:00s+
B024(Off-delay) :	Rem = off 10:00s+
B025_mstopcnt(Up/Down counter) : Machine Stop pushbutton counter	Rem = on On=0+ Off=0 Start=0
B027_tr_pshbtncnt(Up/Down counter) : Blue Traffic pushbutton counter	Rem = on On=0+ Off=0 Start=0
B029_tr_rem_cntr(Up/Down counter) : Traffic remote counter	Rem = on On=0+ Off=0 Start=0
B030(Off-delay) :	Rem = off 30:00s+
B031(Off-delay) :	Rem = off 10:00s+
B032(Edge-triggered interval time-delay relay) :	Rem = off 01:00m+ 00:00s 1
B033(Edge-triggered interval time-delay relay) :	Rem = off 04:00s+ 00:00s 1
B034(Edge-triggered interval time-delay relay) :	Rem = off 15:00m+ 00:00s 1
B035(Edge-triggered interval time-delay relay) :	Rem = off 01:00s+ 25:00s 1

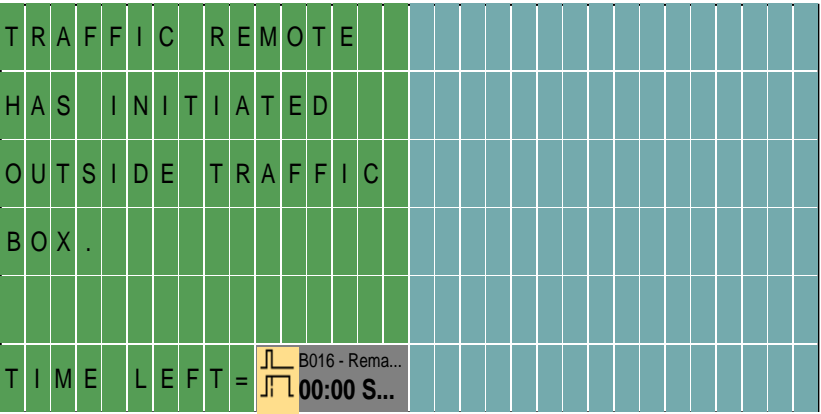
Creator:	John Ledbetter	DFD Lineshop	Project:		Customer:	Denver Fire Department
Checked:	3-1-22		Installation:	FS04 TYPE	Diagram No.:	
Date:	10/3/18 1:45 PM/6/10/22 8:44 AM		File:	Sta 9 VA MS 3-1-22.lsc	Page:	13 / 19

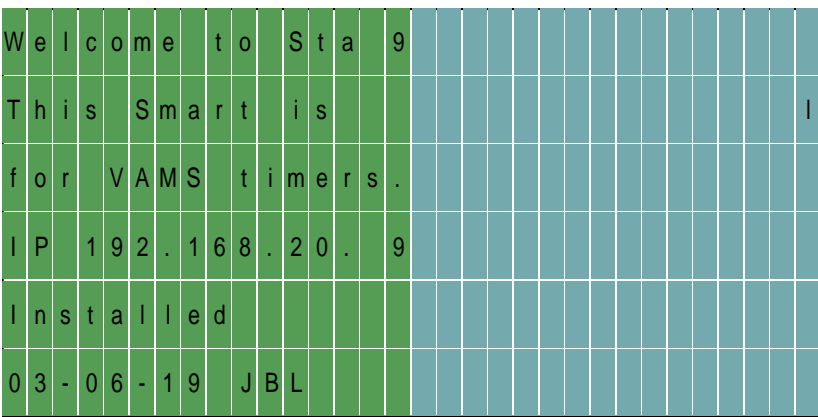
Block Number (Type)	Parameter																																										
<p>B037(Message texts) :</p> <div style="display: flex; align-items: flex-start;"> <div style="flex: 1;"> <table border="1" style="width:100%; border-collapse: collapse; text-align: center;"> <tr><td>RED</td><td>MACH</td><td>START</td><td></td><td></td><td></td></tr> <tr><td>PSHBTN=</td><td>TIME</td><td>LEFT</td><td></td><td></td><td></td></tr> <tr><td>general</td><td></td><td></td><td></td><td></td><td></td></tr> <tr><td>jinglers</td><td></td><td></td><td> B033 - Pulse...</td><td></td><td></td></tr> <tr><td>trfc delay</td><td></td><td></td><td> 00:00 S...</td><td></td><td></td></tr> <tr><td>trfc activ</td><td></td><td></td><td> B017 - Rema...</td><td></td><td></td></tr> <tr><td></td><td></td><td></td><td> 00:00 S...</td><td></td><td></td></tr> </table> </div> <div style="flex: 0.5; font-size: 0.8em; padding-left: 10px;"> <p>Line4.11 B033-TLRest Line5.11 B044-TLRest Line6.11 B017-TRest</p> </div> </div>	RED	MACH	START				PSHBTN=	TIME	LEFT				general						jinglers			B033 - Pulse...			trfc delay			00:00 S...			trfc activ			B017 - Rema...						00:00 S...			<p>Prio = 0 Quit = off Text1: enabled Text2: disabled</p> <p>Ticker setting - CBC - Line1: N - Line2: N - Line3: N - Line4: N - Line5: N - Line6: N Message Destination - Both</p>
RED	MACH	START																																									
PSHBTN=	TIME	LEFT																																									
general																																											
jinglers			B033 - Pulse...																																								
trfc delay			00:00 S...																																								
trfc activ			B017 - Rema...																																								
			00:00 S...																																								

<p>B038(Message texts) :</p> <div style="display: flex; align-items: flex-start;"> <div style="flex: 1;"> <table border="1" style="width:100%; border-collapse: collapse; text-align: center;"> <tr><td>BLUE</td><td>TRAFFIC</td><td></td><td></td><td></td><td></td></tr> <tr><td>PUSHBUTTON</td><td>HAS</td><td></td><td></td><td></td><td></td></tr> <tr><td>JUST BEEN</td><td>PUSHED</td><td></td><td></td><td></td><td></td></tr> <tr><td>= THERE IS</td><td>AN</td><td></td><td></td><td></td><td></td></tr> <tr><td>INITIATION</td><td></td><td></td><td></td><td></td><td></td></tr> <tr><td>DELAY OF</td><td></td><td></td><td> B035 - Inter...</td><td></td><td></td></tr> <tr><td></td><td></td><td></td><td> 00:00 S...</td><td></td><td></td></tr> </table> </div> <div style="flex: 0.5; font-size: 0.8em; padding-left: 10px;"> <p>Line6.11 B035-TLRest</p> </div> </div>	BLUE	TRAFFIC					PUSHBUTTON	HAS					JUST BEEN	PUSHED					= THERE IS	AN					INITIATION						DELAY OF			B035 - Inter...						00:00 S...			<p>Prio = 1 Quit = off Text1: enabled Text2: disabled</p> <p>Ticker setting - CBC - Line1: N - Line2: N - Line3: N - Line4: N - Line5: N - Line6: N Message Destination - Both</p>
BLUE	TRAFFIC																																										
PUSHBUTTON	HAS																																										
JUST BEEN	PUSHED																																										
= THERE IS	AN																																										
INITIATION																																											
DELAY OF			B035 - Inter...																																								
			00:00 S...																																								

B039(Edge-triggered interval time-delay relay) :	<p>Rem = off 31:00s+ 00:00s 1</p>
--------------------------------------------------	-----------------------------------------------

<p>B041(Message texts) :</p> <div style="display: flex; align-items: flex-start;"> <div style="flex: 1;"> <table border="1" style="width:100%; border-collapse: collapse; text-align: center;"> <tr><td>OUTSIDE</td><td>TRAFFIC</td><td></td><td></td><td></td><td></td></tr> <tr><td>CONTROL</td><td>BOX IS</td><td></td><td></td><td></td><td></td></tr> <tr><td>BEING</td><td>INITIATED</td><td></td><td></td><td></td><td></td></tr> <tr><td>NOW =</td><td></td><td></td><td></td><td></td><td></td></tr> <tr><td>TIME</td><td>LEFT</td><td></td><td> B014 - Rema...</td><td></td><td></td></tr> <tr><td></td><td></td><td></td><td> 00:00 S...</td><td></td><td></td></tr> </table> </div> <div style="flex: 0.5; font-size: 0.8em; padding-left: 10px;"> <p>Line6.11 B014-TRest</p> </div> </div>	OUTSIDE	TRAFFIC					CONTROL	BOX IS					BEING	INITIATED					NOW =						TIME	LEFT		B014 - Rema...						00:00 S...			<p>Prio = 2 Quit = off Text1: enabled Text2: disabled</p> <p>Ticker setting - CBC - Line1: N - Line2: N - Line3: N - Line4: N - Line5: N - Line6: N Message Destination - Both</p>
OUTSIDE	TRAFFIC																																				
CONTROL	BOX IS																																				
BEING	INITIATED																																				
NOW =																																					
TIME	LEFT		B014 - Rema...																																		
			00:00 S...																																		

Block Number (Type)	Parameter
<p>B043(Message texts) :</p>  <p>Line6.11 B016-TRest</p>	<p>Prio = 3 Quit = off Text1: enabled Text2: disabled Ticker setting - CBC - Line1: N - Line2: N - Line3: N - Line4: N - Line5: N - Line6: N Message Destination - Both</p>
<p>B044(Edge-triggered interval time-delay relay) :</p>	<p>Rem = off 01:00s+ 25:00s 1</p>
<p>B045 jingpbtn cnt(Up/Down counter) : Jingler pushbutton counter</p>	<p>Rem = on On=0+ Off=0 Start=0</p>
<p>B046(Edge-triggered interval time-delay relay) :</p>	<p>Rem = off 00:05s+ 00:00s 1</p>
<p>B047(Edge-triggered interval time-delay relay) :</p>	<p>Rem = off 04:00s+ 00:00s 1</p>
<p>B049(Edge-triggered interval time-delay relay) :</p>	<p>Rem = off 04:00s+ 00:00s 1</p>
<p>B051(Astronomical clock) :</p>	<p>Lot: E0°0'0"+ Lat: N0°0'0"+ TZ: 0 Sunrise offset: 0 Sunset offset: 0</p>
<p>B053(Off-delay) :</p>	<p>Rem = off 40:00s+</p>
<p>B054(Edge-triggered interval time-delay relay) :</p>	<p>Rem = off 50:00s+ 00:00s 1</p>
<p>B056(Edge-triggered interval time-delay relay) :</p>	<p>Rem = off 00:50s+ 00:00s 1</p>
<p>B058(Asynchronous pulse generator) :</p>	<p>Rem = off 00:20s+ 05:00s</p>
<p>B059(Asynchronous pulse generator) :</p>	<p>Rem = off 00:20s+ 05:00s</p>
<p>B060(On-delay) :</p>	<p>Rem = off 01:00s+</p>
<p>B064 va enb cnt(Up/Down counter) :</p>	<p>Rem = on On=0+ Off=0 Start=0</p>

Block Number (Type)	Parameter
B065 drp It on cn(Up/Down counter) :	Rem = on On=0+ Off=0 Start=0
B066 dr It hr cnt(Operating hours counter) :	Ml= 0h 0m+ Ot= 0h 0m Q->0=R+En
B067 dr tmr hrs(Operating hours counter) :	Ml= 0h 0m+ Ot= 0h 0m Q->0=R+En
B068(Edge-triggered interval time-delay relay) :	Rem = off 01:01m+ 00:00s 1
B069(Edge-triggered interval time-delay relay) :	Rem = off 01:01m+ 00:00s 1
B070(Edge-triggered interval time-delay relay) :	Rem = off 04:00m+ 00:00s 1
B071(On-delay) :	Rem = off 00:30s+
B072(Asynchronous pulse generator) :	Rem = off 05:00s+ 05:00s
B073(Message texts) : 	Prio = 4 Quit = off Text1: ISO8859_1/SmartRelay Display/CBC =Welcome to Sta 9 =This Smart is =for VAMS timers. =IP 192.168.20.9 =Installed =03-06-19 JBL Text2: disabled Ticker setting - CBC - Line1: N - Line2: Z - Line3: Z - Line4: Z - Line5: Z - Line6: Z Message Destination - SmartRelay Display
B074(Edge-triggered interval time-delay relay) :	Rem = off 10:00s+ 00:00s 1
B075(Edge-triggered interval time-delay relay) :	Rem = off 01:40m+ 00:00s 1
1(Input) : 1- Common area/House drop light key (ALL)	
2(Input) : 2- Chief dorm drop light key (future)	
3(Input) : 3- Engine dorms drop light key (future)	

Block Number (Type)	Parameter
I4(Input) : I4- Truck dorns drop light key (future)	
I5(Input) : I5- Red Machine start pushbuttons	
I6(Input) : I6- Machine stop pushbutton	
I7(Input) : I7- Jingler pushbuttons	
I8(Input) : I8- Blue traffic pushbuttons	
I9(Input) : I9- Traffic Remotes	
M7(Memory marker) : Future Blue strobes	
M9(Memory marker) : Future exterior jinglers	
Q1(Output) : Q1- Common area/ House drop lights (ALL)	
Q3(Output) : Q3- RED Mach Start pushbutton LEDs	
Q4(Output) : Q4- BLUE TRAFFIC pushbutton LEDs	
Q5(Output) : Q5- Interior Jinglers	
Q6(Output) : Q6- Traffic mini buzz in app bay	
Q7(Output) : Q7- Traffic signal	
Q8(Output) : Q8- Blue TRAFFIC mini LED in app bay	

--	--	--	--	--	--

Connection	Label
I1	
I2	
I3	
I4	
I5	
I6	
I7	
I8	
I9	
I10	
I12	
M1	
M2	
M3	
M4	
M5	
M6	
M7	
M9	
M10	
M11	
M25	SmartRelay displays white backlight
M28	SmartRelay displays the amber backlight
M29	SmartRelay displays red backlight
Q1	
Q3	
Q4	
Q5	
Q6	

Creator:	John Ledbetter	DFD Lineshop	Project:		Customer:	Denver Fire Department
Checked:	3-1-22		Installation:	FS04 TYPE	Diagram No.:	
Date:	10/3/18 1:45 PM/6/10/22 8:44 AM		File:	Sta 9 VA MS 3-1-22.lsc	Page:	18 / 19

Connection	Label
Q7	
Q8	

Creator:	John Ledbetter	DFD Lineshop	Project:		Customer:	Denver Fire Department
Checked:	3-1-22		Installation:	FS04 TYPE	Diagram No.:	
Date:	10/3/18 1:45 PM/6/10/22 8:44 AM		File:	Sta 9 VA MS 3-1-22.lsc	Page:	19 / 19